

PLEASE CHECK WWW.MOLEX.COM FOR LATEST PART INFORMATION

Part Number: **0781208013**
Status: **Active**
Description: 1.27mm (.050") Pitch Wire-to-Board Receptacle, Dual Row, Vertical, SMT, 0.25µm (10µ") Gold (Au) Plating, without Kapton Tape, 80 Circuits, Tube, Lead free

Documents:

[3D Model](#) [Product Specification PS-87933-001 \(PDF\)](#)
[Drawing \(PDF\)](#) [RoHS Certificate of Compliance \(PDF\)](#)

General

Product Family PCB Receptacles
 Series [78120](#)
 Application Wire-to-Board
 Product Name N/A

Physical

Circuits (Loaded) 80
 Circuits (maximum) 80
 Color - Resin Black
 Durability (mating cycles max) 100
 Glow-Wire Compliant No
 Guide to Mating Part No
 Keying to Mating Part None
 Lock to Mating Part None
 Material - Metal Phosphor Bronze
 Material - Plating Mating Gold
 Material - Plating Termination Nickel
 Material - Resin High Temperature Thermoplastic
 Number of Rows 2
 Orientation Vertical
 PCB Locator No
 PCB Retention None
 Packaging Type Tube
 Pitch - Mating Interface (in) 0.050 In
 Pitch - Mating Interface (mm) 1.27 mm
 Pitch - Term. Interface (in) 0.050 In
 Pitch - Term. Interface (mm) 1.27 mm
 Plating min: Mating (µin) 10
 Plating min: Mating (µm) 0.25
 Plating min: Termination (µin) 50
 Plating min: Termination (µm) 1.27
 Polarized to PCB No
 Stackable No
 Temperature Range - Operating -55°C to +105°C
 Termination Interface: Style Surface Mount

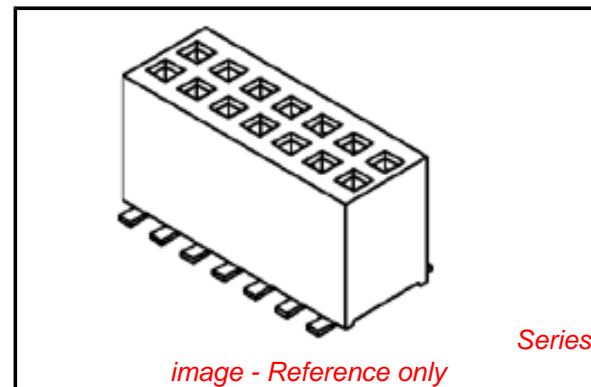
Electrical

Current - Maximum per Contact 1.75A
 Voltage - Maximum 125V

Solder Process Data

Duration at Max. Process Temperature (seconds) 10
 Lead-free Process Capability Reflow Capable (SMT only)
 Max. Cycles at Max. Process Temperature 3
 Process Temperature max. C 260

Material Info



EU RoHS

ELV and RoHS Compliant
REACH SVHC
Contains SVHC: No
Halogen-Free Status

China RoHS



Need more information on product environmental compliance?

Email productcompliance@molex.com
 For a multiple part number RoHS Certificate of Compliance, [click here](#)

Please visit the [Contact Us](#) section for any non-product compliance questions.

Search Parts in this Series

[78120Series](#)

Mates With

[87932](#) , [87933](#) , [87934](#) Wire-to-Board Headers

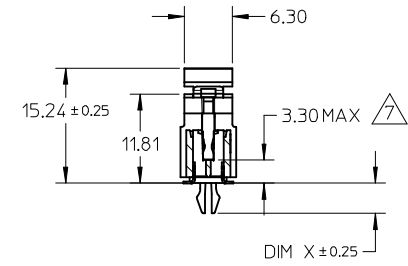
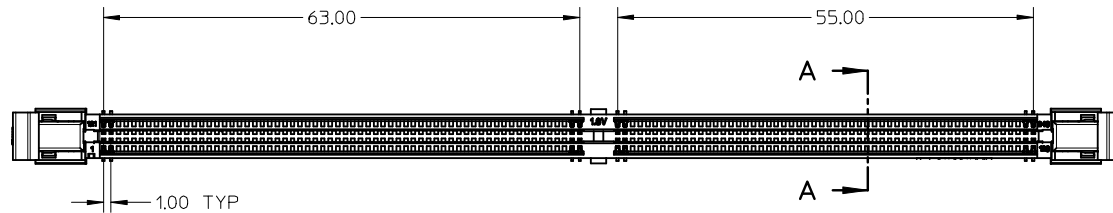
Reference - Drawing Numbers

Product Specification
Sales Drawing

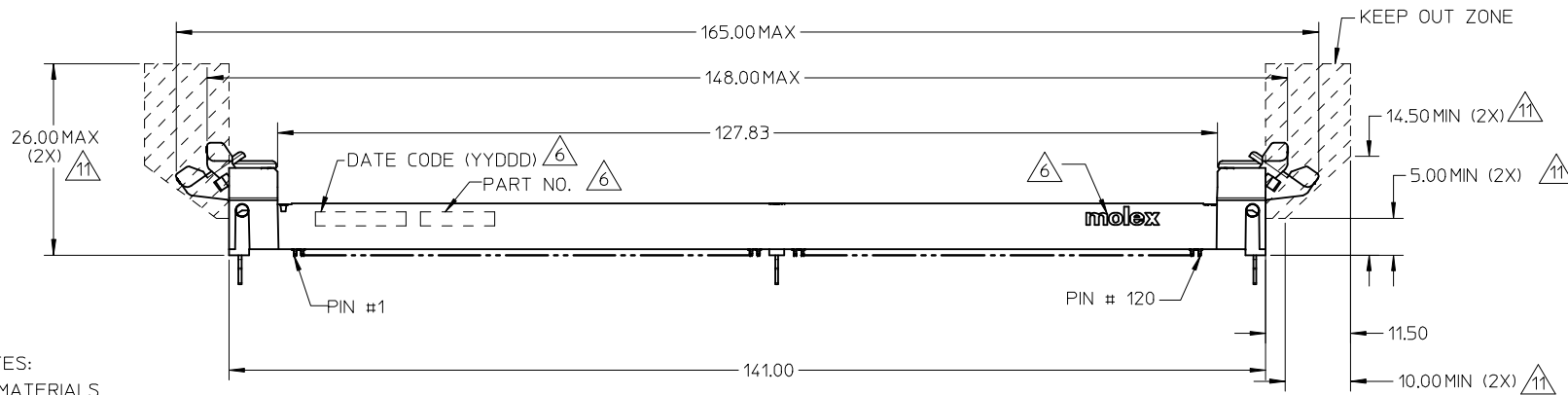
PS-87933-001
SD-78120-007

This document was generated on 03/18/2010

PLEASE CHECK WWW.MOLEX.COM FOR LATEST PART INFORMATION



SECTION A-A

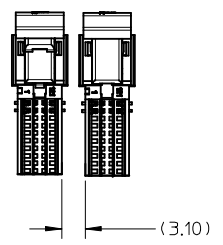
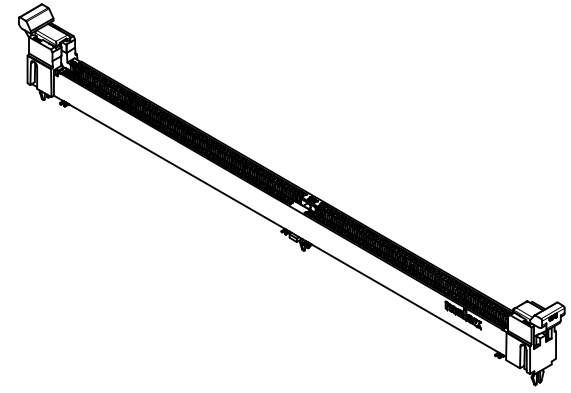
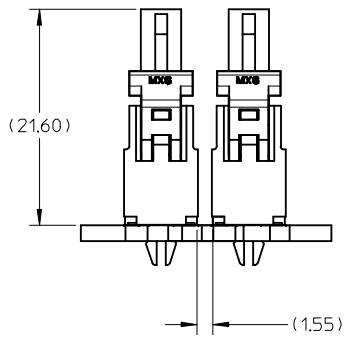
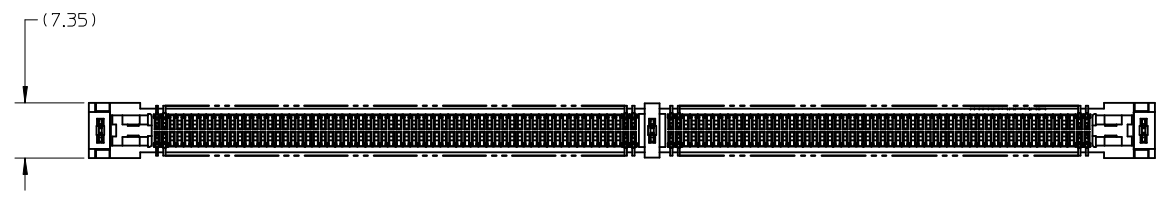


NOTES:

1. MATERIALS
HOUSING - LCP, GLASS FILLED, UL 94V-0. BLACK
EJECTORS - HIGH TEMP. NYLON GLASS FILLED, UL 94 V-0,
COLOUR - PLS REFER TO SHEET 2.
TERMINALS - COPPER ALLOY
2. PLATING OPTION - PLS REFER TO SHEET 2.
3. CARD SLOT ACCEPTS 1.27±0.10MM MODULE THICKNESS. (MEASURED OVER PC PADS)
4. RECOMMENDED MODULE LAYOUT SHALL BE AS PER JEDEC MO-237. PLS REFER TO SHEET 3.
5. PRODUCT IS PACKED INTO TRAYS. PLS REFER TO SHEET 5
6. MOLEX LOGO, DATE CODE & PART NO. INDICATED ON HOUSING.
7. DIMM MODULE SEATING PLANE FROM TOP OF PCB.
8. COPLANARITY OF SOLDER TAILS SHALL NOT EXCEED 0.20MM.
9. REFER YO PRODUCT SPEC. PS-78125-001 FOR PERFORMANCE SPECIFICATIONS.
10. THE KEEP OUT AREA IS THE AREA WHERE THE CONNECTOR IS MOUNTED ONTO THE PCB, WHICH DOES NOT INCLUDE THE LATCH.
11. KEEP OUT ZONE AS PER JEDEC SO-001.
12. CONTACT MOLEX FOR AVAILABILITY OF PRODUCT OPTIONS.

ADD NEW OPTION EC NO: S2009-0166 DRWN:CMTEO 2008/09/05 CHKD:CGTAN 2008/09/05 APPR:SHLENI 2008/09/05	QUALITY SYMBOLS ▽=0 ◻=0	GENERAL TOLERANCES (UNLESS SPECIFIED)		DIMENSION STYLE MM ONLY		SCALE NTS	DESIGN UNITS METRIC	THIRD ANGLE PROJECTION		
			mm	INCH	DRAWN BY CMTEO	DATE 2006/08/07	TITLE DDR2 DIMM, 100MM PITCH 240 CKTS, VLP LATCH, SMT			
		4 PLACES	± ---	± ---	CHECKED BY SHLENI	DATE 2006/08/14	MOLEX MOLEX INCORPORATED DOCUMENT NO. SD-78125-001 SHEET NO. 1 OF 5			
		3 PLACES	± ---	± ---	APPROVED BY GGLEE	DATE 2006/08/14				
2 PLACES	± 0.2	± ---	DRAFT WHERE APPLICABLE MUST REMAIN WITHIN DIMENSIONS		SEE TABLE					
1 PLACE	± ---	± ---	MATERIAL NO.		SIZE A3		THIS DRAWING CONTAINS INFORMATION THAT IS PROPRIETARY TO MOLEX INCORPORATED AND SHOULD NOT BE USED WITHOUT WRITTEN PERMISSION			
ANGULAR ± 1 °										

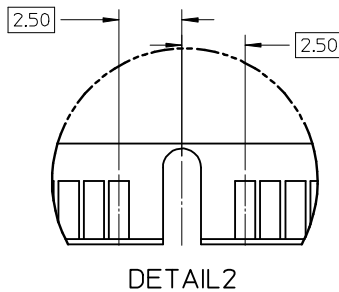
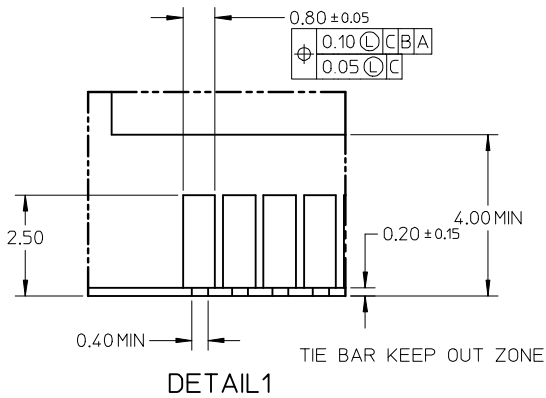
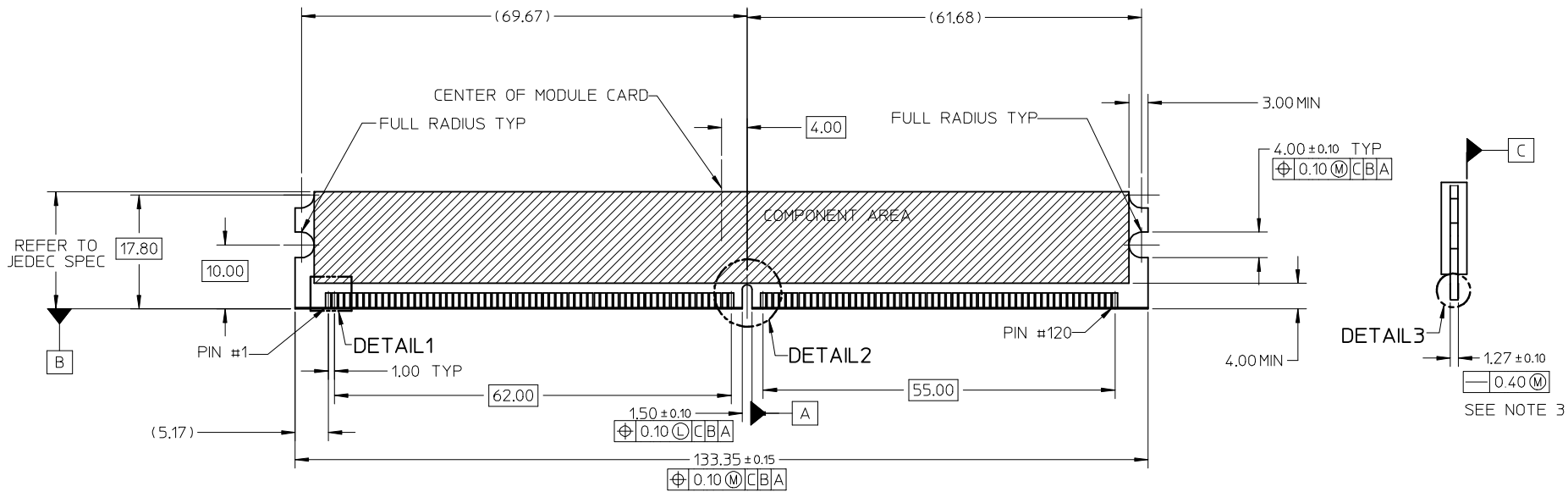
ASSEMBLY PART NO.	VOLTAGE KEY POS.	DIM X	PCB THICKNESS DIM Y	PLATING	LATCH COLOR
78125-0001	CENTRE 1.8V	3.94	1.57	0.76µM (30µ IN) MIN. GOLD ON CONTACT 2.54µM (100µ IN) MIN. TIN ON SOLDER TAILS 1.27µM (50µ IN) MIN. NICKEL UNDERPLATE	BLACK
78125-0008		4.42	2.50		



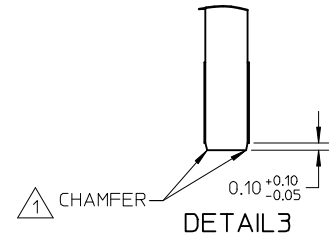
ADD NEW OPTION EC NO: S2009-0166 DRWN:CMTEO CHKD:CGTAN APPR:SHLENI	2008/09/05 2008/09/05 2008/09/05	DESCRIPTION REV	QUALITY SYMBOLS ▽=0 ◻=0	GENERAL TOLERANCES (UNLESS SPECIFIED)		DIMENSION STYLE	SCALE	DESIGN UNITS	THIRD ANGLE PROJECTION		
						MM ONLY	NTS	METRIC			
				mm	INCH	DRAWN BY	DATE	TITLE			
				4 PLACES	± ---	± ---	CMTEO	2006/08/07	DDR2 DIMM, 100MM PITCH 240 CKTS, VLP LATCH, SMT		
3 PLACES	± ---	± ---	CHECKED BY	DATE							
2 PLACES	± 0.2	± ---	SHLENI	2006/08/14							
1 PLACE	± ---	± ---	APPROVED BY	DATE							
ANGULAR ± 1 °		GGLEE		2006/08/14							
DRAFT WHERE APPLICABLE MUST REMAIN WITHIN DIMENSIONS		MATERIAL NO.		SEE TABLE		MOLEX INCORPORATED		DOCUMENT NO.			
		SIZE		A3		SD-78125-001		SHEET NO.			
								2 OF 5			
								THIS DRAWING CONTAINS INFORMATION THAT IS PROPRIETARY TO MOLEX INCORPORATED AND SHOULD NOT BE USED WITHOUT WRITTEN PERMISSION			

10 9 8 7 6 5 4 3 2 1

RECOMMENDED MODULE LAYOUT



KEY LOCATION	VOLTAGE
CENTER	1.8V



NOTES:
 1. MODULE CARD USED FOR TESTS ARE WITH 0.10MM CHAMFER.

ADD NEW OPTION EC NO: S2009-0166 DRWN:CMTEO 2008/09/05 CHKD:CGTAN 2008/09/05 APPR:SHLENI 2008/09/05	QUALITY SYMBOLS ▽=0 ◻=0	GENERAL TOLERANCES (UNLESS SPECIFIED) mm INCH 4 PLACES ± --- ± --- 3 PLACES ± --- ± --- 2 PLACES ± 0.2 ± --- 1 PLACE ± --- ± --- ANGULAR ± 1°	DIMENSION STYLE MM ONLY DRAWN BY: CMTEO DATE: 2006/08/07 CHECKED BY: SHLENI DATE: 2006/08/14 APPROVED BY: GGLEE DATE: 2006/08/14	SCALE: NTS DESIGN UNITS: METRIC THIRD ANGLE PROJECTION	TITLE: DDR2 DIMM, 100MM PITCH 240 CKTS, VLP LATCH, SMT
	DRAFT WHERE APPLICABLE MUST REMAIN WITHIN DIMENSIONS	MATERIAL NO.: SEE TABLE DOCUMENT NO.: SD-78125-001	MOLEX INCORPORATED	SHEET NO.: 3 OF 5	
	SIZE: A3 THIS DRAWING CONTAINS INFORMATION THAT IS PROPRIETARY TO MOLEX INCORPORATED AND SHOULD NOT BE USED WITHOUT WRITTEN PERMISSION				
	REV: B1				

9 8 7 6 5 4 3 2 1

10 9 8 7 6 5 4 3 2 1

F

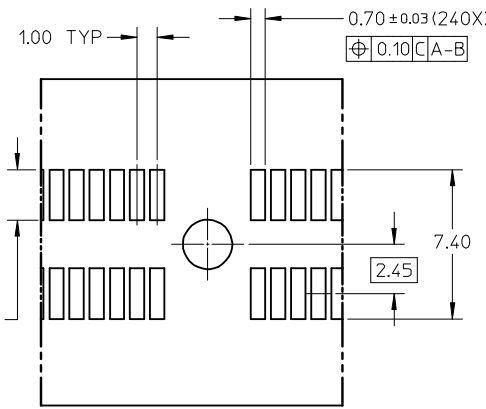
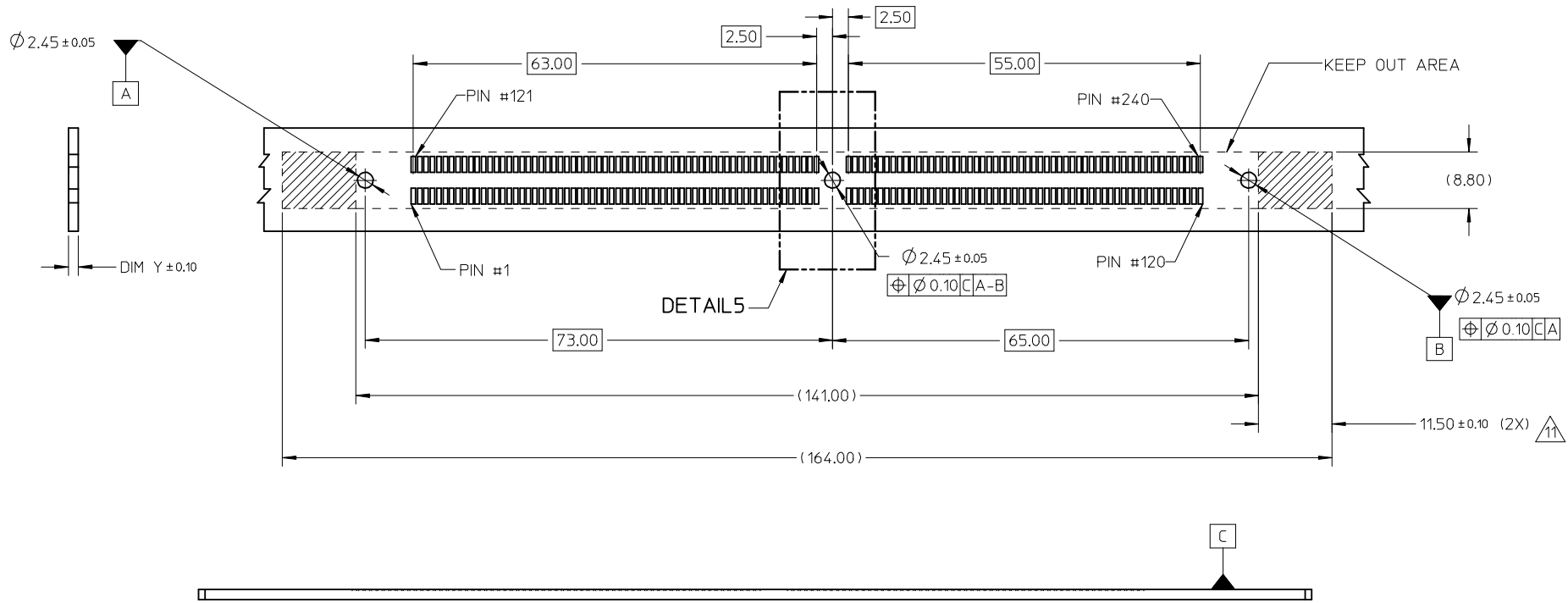
E

D

C

B

A



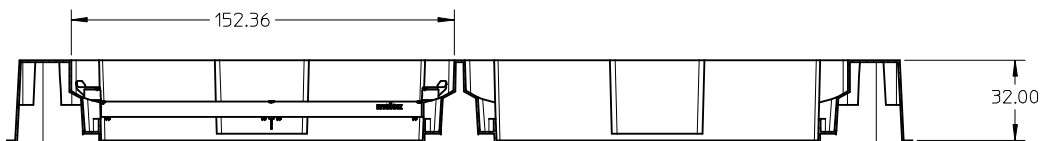
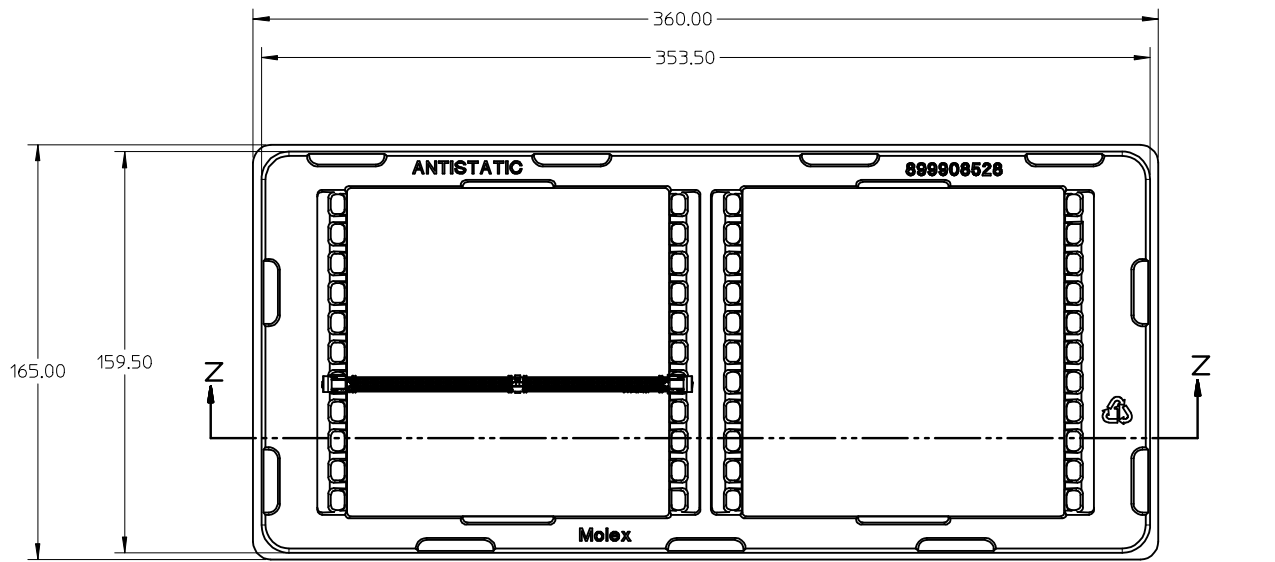
RECOMMENDED STENCIL THICKNESS = 150µM.

2.50 ± 0.03 (240X)
Ø 0.10 [C-A-B]

DETAIL 5

ADD NEW OPTION EC NO: S2009-0166 DRWN:CMTEO 2008/09/05 CHKD:CGTAN 2008/09/05 APPR:SHLENI 2008/09/05	QUALITY SYMBOLS ▽=0 ◻=0	GENERAL TOLERANCES (UNLESS SPECIFIED)		DIMENSION STYLE MM ONLY	SCALE NTS	DESIGN UNITS METRIC	THIRD ANGLE PROJECTION		
		4 PLACES ± --- ± --- 3 PLACES ± --- ± --- 2 PLACES ± 0.2 ± --- 1 PLACE ± --- ± ---	mm INCH	DRAWN BY CMTEO	DATE 2006/08/07	TITLE DDR2 DIMM, 100MM PITCH 240 CKTS, VLP LATCH, SMT			
		ANGULAR ± 1 °		CHECKED BY SHLENI	DATE 2006/08/14	MOLEX INCORPORATED			
		DRAFT WHERE APPLICABLE MUST REMAIN WITHIN DIMENSIONS		APPROVED BY GGLEE	DATE 2006/08/14	MATERIAL NO. SEE TABLE	DOCUMENT NO. SD-78125-001	SHEET NO. 4 OF 5	
	B1	REV		SIZE A3	THIS DRAWING CONTAINS INFORMATION THAT IS PROPRIETARY TO MOLEX INCORPORATED AND SHOULD NOT BE USED WITHOUT WRITTEN PERMISSION				

9 8 7 6 5 4 3 2 1



SECTION Z-Z

NOTE:
1. CAVITY QTY : 2 X 11 = 22PCS

ADD NEW OPTION EC NO: S2009-0166 DRW:CMTEO 2008/09/05 CHKD:CGTAN 2008/09/05 APPR:SHLENI 2008/09/05	DESCRIPTION B1	QUALITY SYMBOLS	GENERAL TOLERANCES (UNLESS SPECIFIED)		DIMENSION STYLE MM ONLY		SCALE NTS	DESIGN UNITS METRIC	THIRD ANGLE PROJECTION																											
		$\nabla=0$ $\text{C}=0$	<table border="1"> <thead> <tr> <th></th> <th>mm</th> <th>INCH</th> </tr> </thead> <tbody> <tr> <td>4 PLACES</td> <td>± ---</td> <td>± ---</td> </tr> <tr> <td>3 PLACES</td> <td>± ---</td> <td>± ---</td> </tr> <tr> <td>2 PLACES</td> <td>± 0.2</td> <td>± ---</td> </tr> <tr> <td>1 PLACE</td> <td>± ---</td> <td>± ---</td> </tr> </tbody> </table>		mm	INCH	4 PLACES	± ---	± ---	3 PLACES	± ---	± ---	2 PLACES	± 0.2	± ---	1 PLACE	± ---	± ---	<table border="1"> <thead> <tr> <th>DRAWN BY</th> <th>DATE</th> </tr> </thead> <tbody> <tr> <td>CMTEO</td> <td>2006/08/07</td> </tr> <tr> <th>CHECKED BY</th> <th>DATE</th> </tr> <tr> <td>SHLENI</td> <td>2006/08/14</td> </tr> <tr> <th>APPROVED BY</th> <th>DATE</th> </tr> <tr> <td>GGLLEE</td> <td>2006/08/14</td> </tr> </tbody> </table>		DRAWN BY	DATE	CMTEO	2006/08/07	CHECKED BY	DATE	SHLENI	2006/08/14	APPROVED BY	DATE	GGLLEE	2006/08/14	TITLE		MOLEX INCORPORATED DOCUMENT NO. SD-78125-001	
			mm	INCH																																
		4 PLACES	± ---	± ---																																
3 PLACES	± ---	± ---																																		
2 PLACES	± 0.2	± ---																																		
1 PLACE	± ---	± ---																																		
DRAWN BY	DATE																																			
CMTEO	2006/08/07																																			
CHECKED BY	DATE																																			
SHLENI	2006/08/14																																			
APPROVED BY	DATE																																			
GGLLEE	2006/08/14																																			
DRAFT WHERE APPLICABLE MUST REMAIN WITHIN DIMENSIONS		ANGULAR ± 1 °		SEE TABLE		THIS DRAWING CONTAINS INFORMATION THAT IS PROPRIETARY TO MOLEX INCORPORATED AND SHOULD NOT BE USED WITHOUT WRITTEN PERMISSION		SHEET NO. 5 OF 5																												