

PLEASE CHECK WWW.MOLEX.COM FOR LATEST PART INFORMATION

Part Number: [0461326000](#)
Status: **Active**
Overview: [HandyLink™](#)
Description: 0.80mm (.031") Pitch HandyLink™ High Load Plug for PCB Termination, 3 Circuit without Latches

Documents:

[3D Model](#) [Product Specification PS-46132-001 \(PDF\)](#)
[Drawing \(PDF\)](#) [RoHS Certificate of Compliance \(PDF\)](#)

Agency Certification

CSA LR19980
 UL E29179

General

Product Family I/O Connectors
 Series [46132](#)
 Application Board-to-Board, Wire-to-Board
 Comments Please reference Application Specification AS-44828-001 when designing
 Component Type Plug
 More Detailed Tech Information handylink@molex.com
 Overview [HandyLink™](#)
 Product Name HandyLink®
 Type N/A

Physical

Circuits (Loaded) 3
 Circuits (maximum) 3
 Circuits Detail Terminals 1, 15 & 16 Loaded
 Color - Resin Black
 Durability (mating cycles max) 700
 Flammability 94V-0
 Gender Plug
 Keying to Mating Part None
 Lock to Mating Part Yes
 Material - Metal High Performance Alloy (HPA), Stainless Steel
 Material - Plating Mating Gold, Tin
 Material - Plating Termination Tin
 Material - Resin High Temperature Thermoplastic
 Orientation Vertical
 Packaging Type Tray
 Panel Mount No
 Pitch - Mating Interface (in) 0.031 In
 Pitch - Mating Interface (mm) 0.80 mm
 Plating min: Mating (µin) 4, 50.00
 Plating min: Mating (µm) 0.1, 1.250
 Plating min: Termination (µin) 200, 50.00
 Plating min: Termination (µm) 1.25, 5
 Polarized to Mating Part Yes
 Surface Mount Compatible (SMC) No
 Temperature Range - Operating -40°C to +85°C
 Termination Interface: Style Through Hole
 Wire Size AWG N/A

Electrical

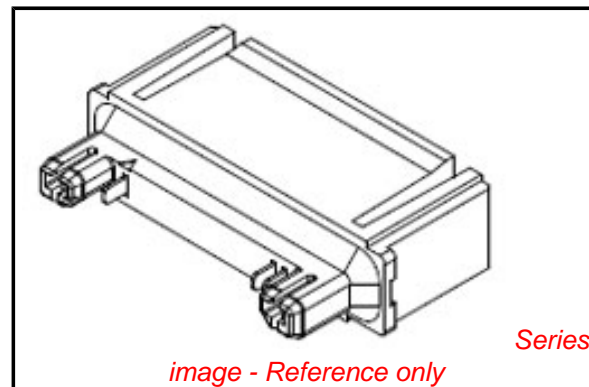


image - Reference only

EU RoHS

ELV and RoHS Compliant
REACH SVHC Contains SVHC: No
Halogen-Free Status

China RoHS



Not Halogen-Free
Need more information on product environmental compliance?

Email productcompliance@molex.com
 For a multiple part number RoHS Certificate of Compliance, [click here](#)

Please visit the [Contact Us](#) section for any non-product compliance questions.

Search Parts in this Series

[46132Series](#)

Mates With

[44828 HandyLink™ SMT Receptacle](#)

Current - Maximum per Contact	1.5A
Shielded	No
Voltage - Maximum	30V

Solder Process Data

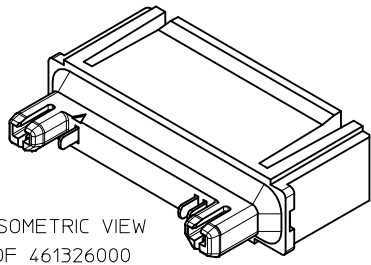
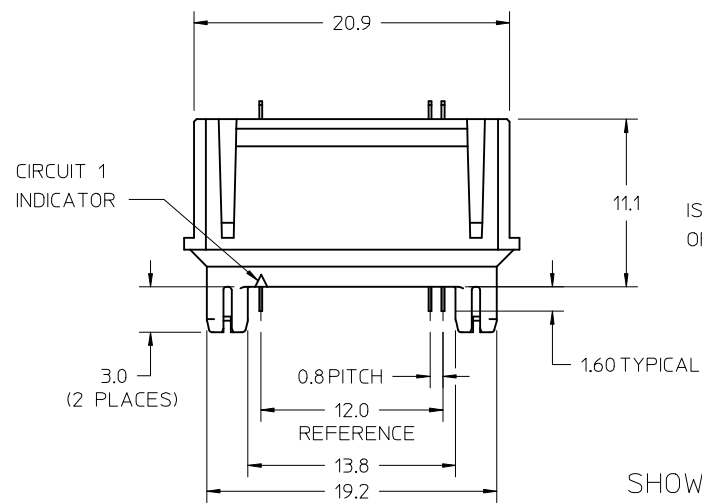
Duration at Max. Process Temperature (seconds)	40
Lead-free Process Capability	Wave Capable (TH only)
Max. Cycles at Max. Process Temperature	3
Process Temperature max. C	260

Material Info**Reference - Drawing Numbers**

Product Specification	PS-46132-001
Sales Drawing	SD-46132-600

This document was generated on 04/02/2010

PLEASE CHECK WWW.MOLEX.COM FOR LATEST PART INFORMATION

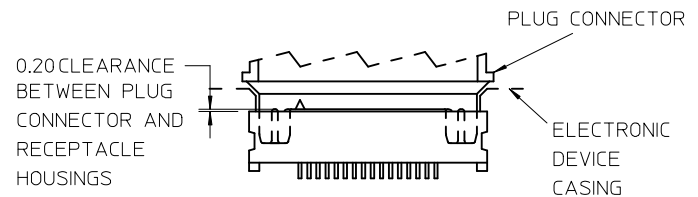
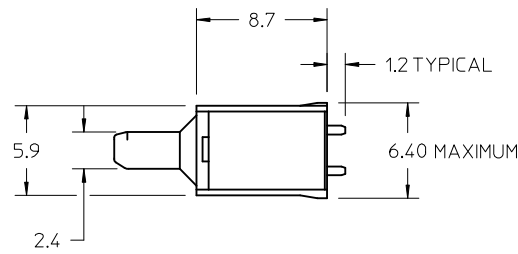
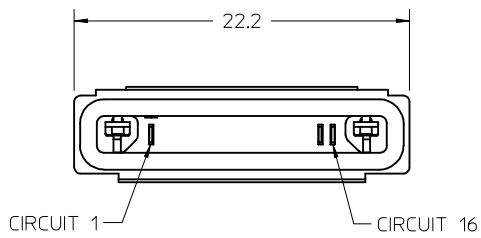


ISOMETRIC VIEW OF 461326000

SHOWN: 463126000

NOTES:

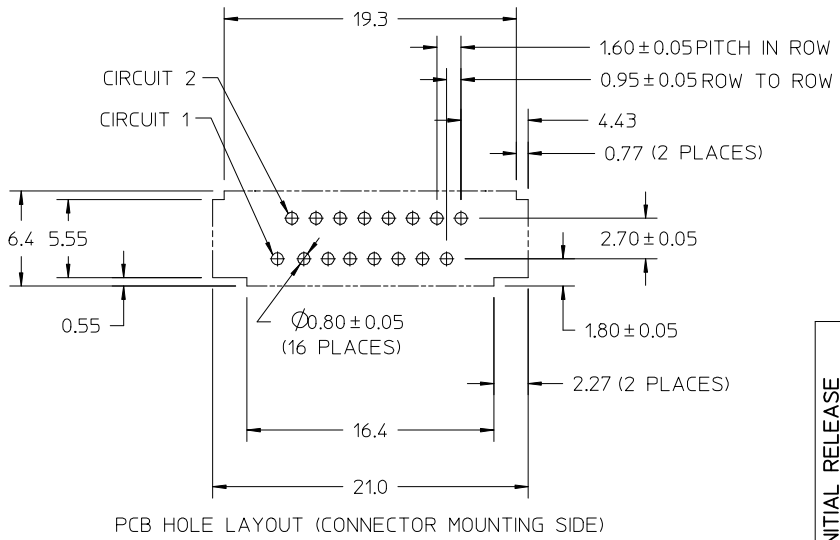
1. MATERIALS:
HOUSING: HIGH-TEMPERATURE NYLON, GLASS FILLED, UL94V-0, COLOR: BLACK.
TERMINALS: TIN-BRASS ALLOY.
2. FINISHES: SELECTIVE GOLD IN CONTACT AREA; THICKNESS= 0.1 MICROMETERS MINIMUM; OVER SELECTIVE PALLADIUM-NICKEL IN CONTACT AREAS; THICKNESS= 1.0 MICROMETER MINIMUM; SELECTIVE BRIGHT TIN IN SOLDER TAIL AREA; THICKNESS= 1.01 MICROMETERS MINIMUM; NICKEL UNDERPLATE OVERALL.
3. PRODUCT SPECIFICATION: PS-46132-001.
4. PLEASE REFER TO MOLEX APPLICATION SPECIFICATION AS-44828-001 FOR DETAILED DESIGN LAYOUT AND MATING REQUIREMENTS.
5. PACKAGED PER PACKAGING SPECIFICATION PK-45593-001.
6. PART COMPLIES WITH CLASS C OF COSMETIC SPECIFICATION PS-45499-002.



RECOMMENDATIONS FOR CONFIGURATION OF MATED CONNECTORS

IMPORTANT: PLEASE REFER TO MOLEX APPLICATION SPECIFICATION AS-44828-001 FOR DETAILED DESIGN LAYOUT AND MATING REQUIREMENTS.

NUMBER OF CIRCUITS	TERMINAL LOCATIONS (PRESENCE DENOTED BY AN X)																ITEM NUMBER
	1	2	3	4	5	6	7	8	9	10	11	12	13	14	15	16	
3	X														X	X	461326000



PCB HOLE LAYOUT (CONNECTOR MOUNTING SIDE)

INITIAL RELEASE EC NO: UCP2009-1816 DRAWN: MORGAN 2009/02/02 CHKD: MIBARRA 2009/02/03 APPR: SMILLER 2009/02/04 REV: A	QUALITY SYMBOLS ▽=0 ▽=0	GENERAL TOLERANCES (UNLESS SPECIFIED)	DIMENSION STYLE MM ONLY	SCALE 4:1	DESIGN UNITS METRIC	THIRD ANGLE PROJECTION
		4 PLACES ± --- ± --- 3 PLACES ± --- ± --- 2 PLACES ± 0.10 ± --- 1 PLACE ± 0.13 ± --- ANGULAR ± 1/2°	DRAWN BY DATE DMORGAN 01/26/2009 CHECKED BY DATE MIBARRA 01/26/2009 APPROVED BY DATE SMILLER 01/26/2009	TITLE 0.8MM HANDYLINK™ HIGH LOAD PLUG FOR PCB TERMINATION W/O LATCHES	MOLEX INCORPORATED	SHEET NO. 1 OF 1
DRAFT WHERE APPLICABLE MUST REMAIN WITHIN DIMENSIONS		SEE CHART		DOCUMENT NO. SD-46132-600		THIS DRAWING CONTAINS INFORMATION THAT IS PROPRIETARY TO MOLEX INCORPORATED AND SHOULD NOT BE USED WITHOUT WRITTEN PERMISSION