

**PLEASE CHECK WWW.MOLEX.COM FOR LATEST PART INFORMATION**

**Part Number:** [0673511800](#)  
**Status:** **Active**  
**Description:** MicroCross™ DVI-I Digital/Analog Visual Interface, Panel Mount, Through Hole, Right Angle Receptacle, Gold (Au) Flash, Polyester (PBT), 2.34mm (.092") PC Tail Length, 29 Circuits, without Pegs, Lead Free

**Documents:**

[3D Model](#) [RoHS Certificate of Compliance \(PDF\)](#)  
[Drawing \(PDF\)](#)

**General**

Product Family	I/O Connectors
Series	<a href="#">67351</a>
Application	Wire-to-Board
Comments	DDWG (Digital Display Working Group) Standard
Component Type	Receptacle
Product Name	MicroCross™DVI
Type	N/A

**Physical**

Boot Color	N/A
Circuits (Loaded)	29
Circuits (maximum)	29
Color - Resin	Ivory, Natural
Durability (mating cycles max)	100
Gender	Receptacle
Keying to Mating Part	Yes
Lock to Mating Part	Yes
Material - Metal	Copper Alloy
Material - Plating Mating	Gold
Material - Plating Termination	Tin
Material - Resin	Polyester
Number of Rows	3
Orientation	Right Angle
PC Tail Length (in)	0.092 In
PC Tail Length (mm)	2.34 mm
PCB Locator	Yes
PCB Retention	Yes
Packaging Type	Tray
Panel Mount	Yes
Pitch - Mating Interface (in)	0.050 In, 0.075 In
Pitch - Mating Interface (mm)	1.27 mm, 1.90 mm
Pitch - Term. Interface (in)	0.050 In, 0.075 In
Pitch - Term. Interface (mm)	1.27 mm, 1.90 mm
Plating min: Mating (µin)	30
Plating min: Mating (µm)	0.75
Plating min: Termination (µin)	100
Plating min: Termination (µm)	2.50
Polarized to Mating Part	Yes
Polarized to PCB	Yes
Ports	1
Surface Mount Compatible (SMC)	No
Temperature Range - Operating	-20°C to +85°C
Termination Interface: Style	Through Hole
Waterproof / Dustproof	No
Wire Size AWG	N/A

**EU RoHS**

**ELV and RoHS  
Compliant**  
**REACH SVHC  
Not Reviewed**  
**Halogen-Free  
Status**

**China RoHS**



**Not Reviewed**

**Need more information on product environmental compliance?**

Email [productcompliance@molex.com](mailto:productcompliance@molex.com)  
 For a multiple part number RoHS Certificate of Compliance, [click here](#)

Please visit the [Contact Us](#) section for any non-product compliance questions.

**Search Parts in this Series**

[67351Series](#)

**Mates With**

[74323](#) MicroCross™ DVI Plug Components.  
[88741](#) MicroCross™ DVI Cable Assemblies

**Electrical**

Current - Maximum per Contact	3A
Grounding to Panel	Yes
Shield Type	Full Shield
Shielded	Yes
Voltage - Maximum	40V AC (RMS)

**Material Info****Reference - Drawing Numbers**

Sales Drawing	SD-67351-047
---------------	--------------

This document was generated on 06/07/2010

**PLEASE CHECK [WWW.MOLEX.COM](http://WWW.MOLEX.COM) FOR LATEST PART INFORMATION**

8  
7  
6  
5  
4  
3  
2  
1

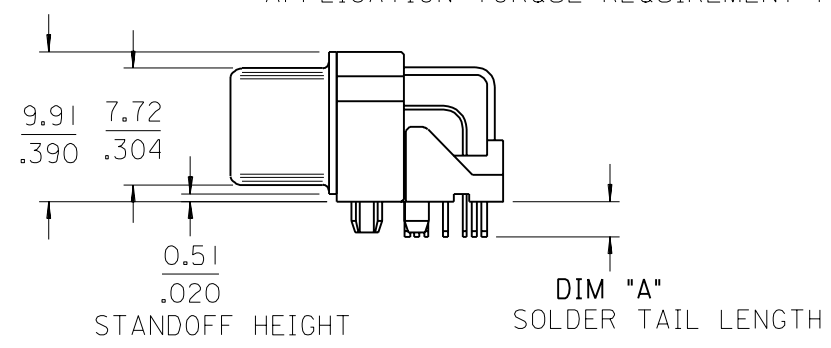
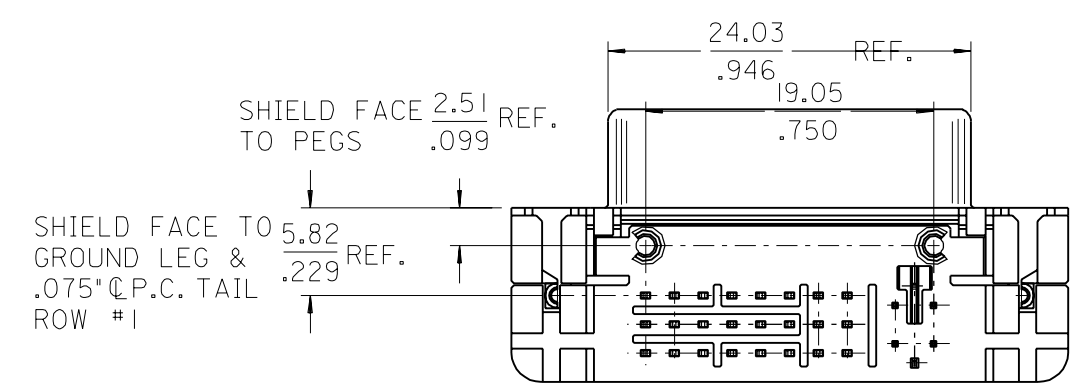
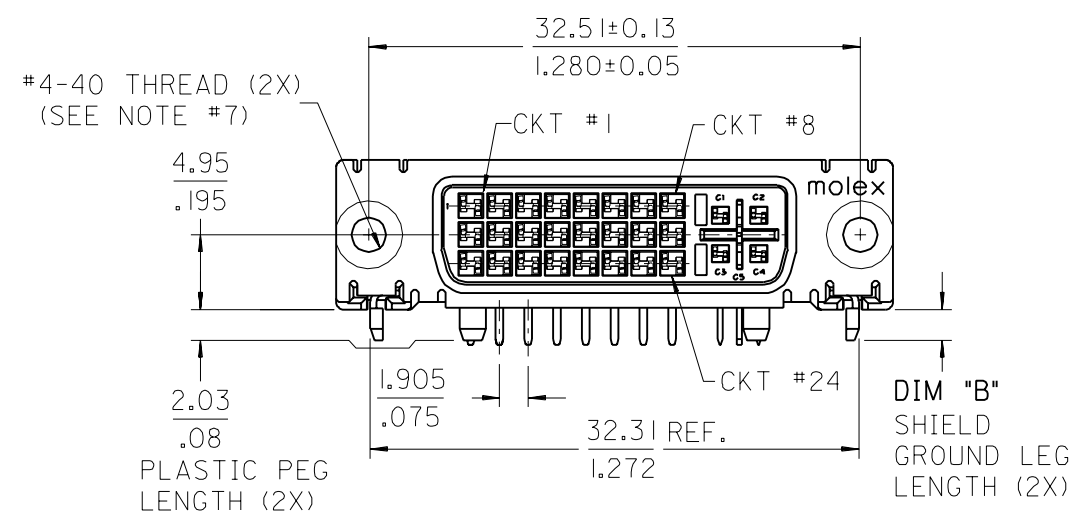
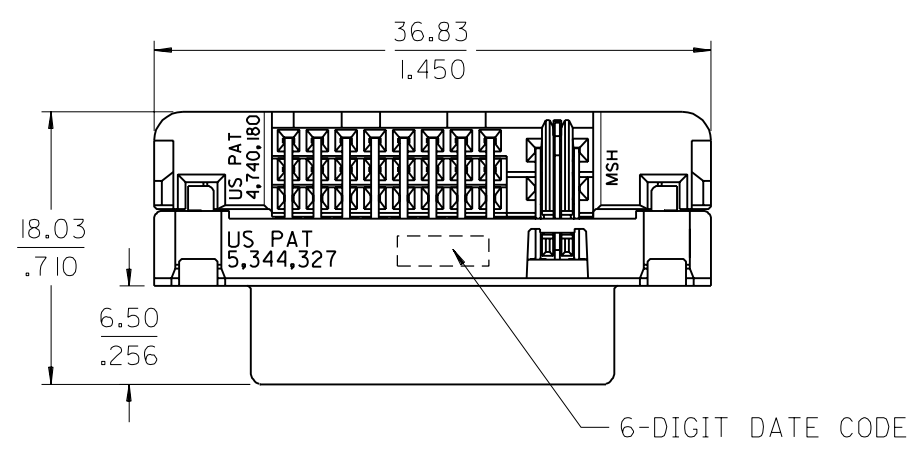
ENG. NO SEE CHART

EDP NO.

SIMILAR ITEM

CADFILE NO. S67351047.S01

DO NOT SCALE DRAWING



- NOTES:
- MATERIALS:  
SHIELD -- DEEP DRAW STEEL.  
HOUSING -- GLASS FILLED POLYMER, NATURAL (IVORY WHITE), UL 94v-0.  
TAIL ALIGNER -- GLASS FILLED POLYMER, NATURAL (IVORY WHITE), UL 94v-0.  
CONTACTS -- COPPER ALLOY.  
MICROCROSS GROUND -- COPPER ALLOY.
  - PLATING: SEE SHEET 2
  - PRODUCT CONFORMS TO MOLEX PRODUCT SPECIFICATION NUMBER PS-74320-001. REFER TO THIS SPECIFICATION FOR SPACING ON A P.C.B. OF TWO OR MORE CONNECTORS WHEN USING A CABLE OR AN ADAPTER ASSEMBLY.
  - SEE SHEET 2 FOR RECOMMENDED PANEL CUT-OUT AND P.C.B. LAYOUT.
  - PARTS WILL BE PACKAGED IN TRAYS PER PK-74320-010.
  - PRODUCT CONFORMS TO DDWG DVI SPECIFICATION. REFER TO THIS SPECIFICATION FOR CONNECTOR MATING DIMENSIONS.
  - RECOMMENDED MOUNTING HARDWARE IS MOLEX P/N 88780-6066 OR 82007-0300 OR 71781-0001 REFER TO PRODUCT SPECIFICATION NUMBER PS-74320-001 FOR THE APPLICATION TORQUE REQUIREMENT FOR ASSEMBLING MOUNTING HARDWARE.

PART NUMBER	PLATING OPTION	DIM "A"	DIM "B"
67351-1800	1	2.34/.092	2.03±0.51
67351-1801	1	1.27/.050	.080±.020
67351-1803	1	3.12/.123	2.79/.110
67351-1804	2	2.34/.092	2.03±0.51
67351-1805	2	1.27/.050	.080±.020
67351-1806	2	2.79/.110	2.79/.110
67351-1807	2	3.12/.123	2.79/.110

NEW RELEASE

EC NO.  
DRWN: TAZHANG '03/01/13  
CHK:  
APPR:

A

QUALITY SYMBOLS

MAJOR = 0

CRITICAL = 0

DESCRIPTION

REV

GENERAL TOLERANCES: (UNLESS SPECIFIED)		SCALE	DESIGN UNITS
PLACES	mm	2:1	mm INCH
4 PLACES	± .---		<input checked="" type="checkbox"/> mm <input type="checkbox"/> INCH
3 PLACES	± .---		
2 PLACES	±0.25		
1 PLACE	±0.25		
ANGULAR: ±3°			
DRAFT WHERE APPLICABLE MUST REMAIN WITHIN DIMENSIONS			

THIRD ANGLE PROJECTION

DRAWN BY & DATE  
TAZHANG 03/01/13

CHECKED BY & DATE

APPROVED BY & DATE

CAD FILENAME  
S67351047.S01

DIMENSIONS:  
 mm  INCH  mm ONLY

SHT REV  
REVISE ON CAD ONLY

TITLE: DVI - I RIGHT ANGLE RECEPTACLE CONNECTOR LEAD FREE PLATING

MOLEX MOLEX INCORPORATED

MATERIAL NO. SEE CHART  
DRAWING NO. SD-67351-047  
SHEET NO. 1 OF 2

THIS DRAWING CONTAINS INFORMATION THAT IS PROPRIETARY TO MOLEX INCORPORATED AND SHOULD NOT BE USED WITHOUT WRITTEN PERMISSION.

SIZE A3

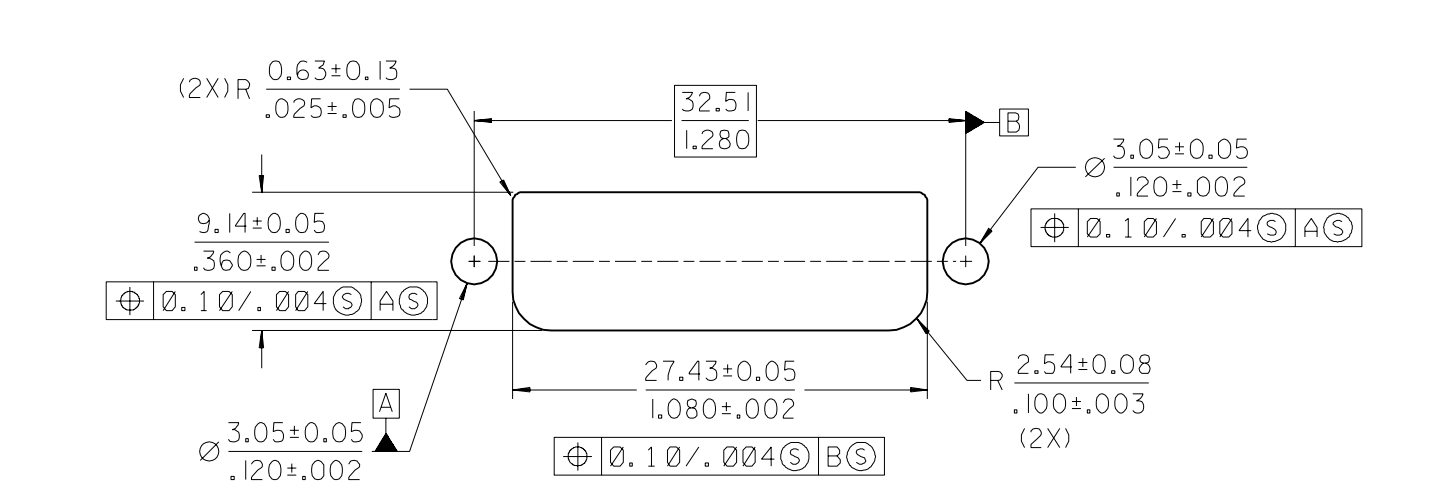
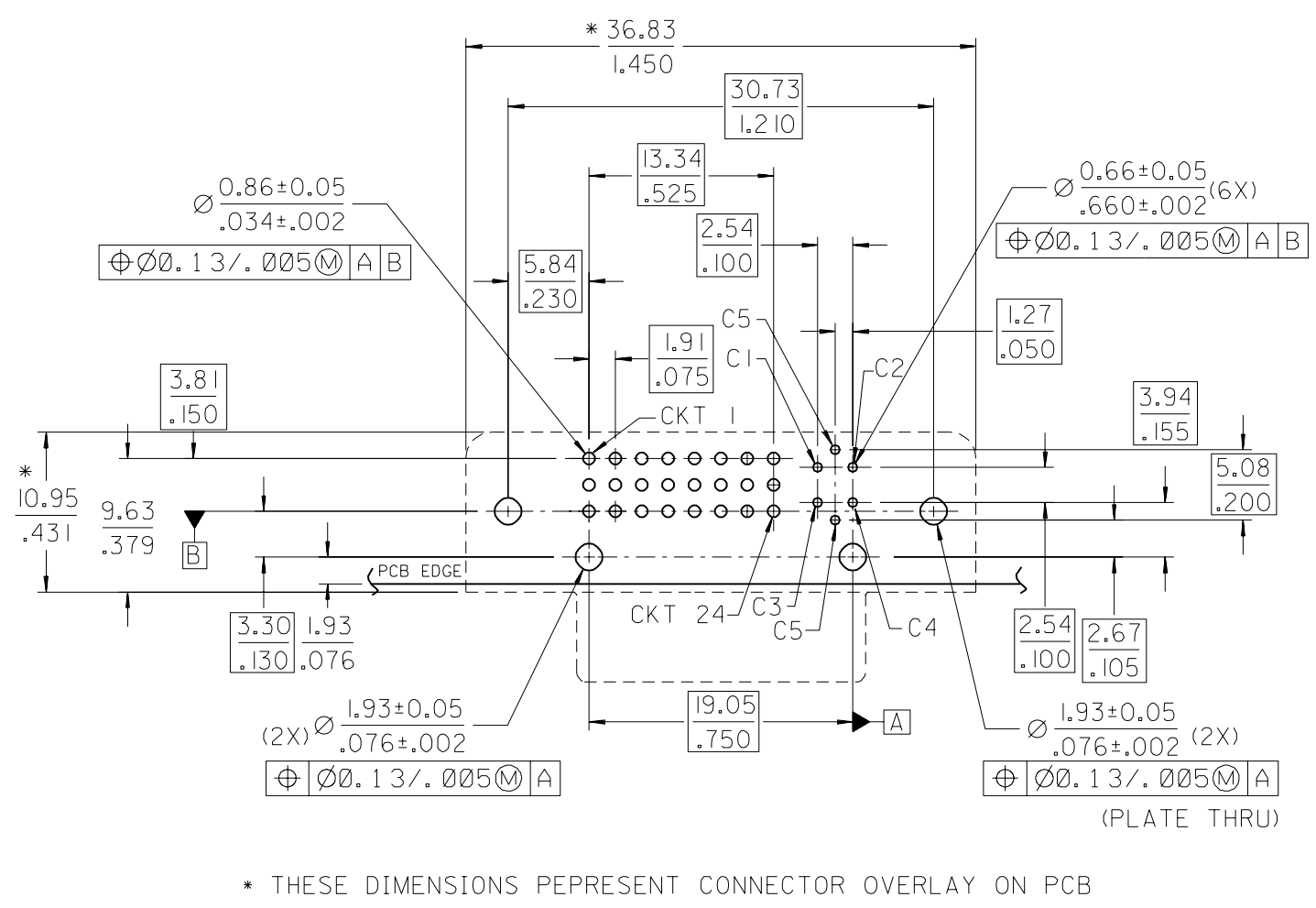
ENG. NO SEE CHART

EDP NO.

SIMILAR ITEM

CADFILE NO. S67351047.S02

DO NOT SCALE DRAWING



PLATING OPTIONS:

PLATING OPTION #1:

- OUTER SHIELD -- 150u"/(3.75um) MIN. BRIGHT TIN OVER 50u"/(1.27um) MIN. NICKEL OVER COPPER FLASH.
- .075"/(1.91mm) CONTACTS -- 30u"/(0.75um) MIN. SELECT GOLD AND 100u"/(2.50um) MIN. SELECT TIN OVER 50u"/(1.27um) MIN. NICKEL OVERALL.
- .100"/(2.54mm) CONTACTS -- 30u"/(0.75um) MIN. SELECT GOLD AND 100u"/(2.50um) MIN. SELECT TIN. OVER 50u"/(1.27um) MIN. NICKEL OVERALL.
- MICROCROSS GROUND -- 30u"/(0.75um) MIN. SELECT GOLD AND 100u"/(2.50um) MIN. SELECT TIN OVER 50u"/(1.27um) MIN. NICKEL OVERALL.

PLATING OPTION #2:

- OUTER SHIELD -- 150u"/(3.75um) MIN. BRIGHT TIN OVER 50u"/(1.27um) MIN. NICKEL OVER COPPER FLASH.
- .075"/(1.91mm) CONTACTS -- SELECT GOLD FLASH AND 100u"/(2.50um) MIN. SELECT TIN OVER 50u"/(1.27um) MIN. NICKEL OVERALL.
- .100"/(2.54mm) CONTACTS -- SELECT GOLD FLASH AND 100u"/(2.50um) MIN. SELECT TIN. OVER 50u"/(1.27um) MIN. NICKEL OVERALL.
- MICROCROSS GROUND -- 30u"/(0.75um) MIN. SELECT GOLD AND 100u"/(2.50um) MIN. SELECT TIN OVER 50u"/(1.27um) MIN. NICKEL OVERALL.

RECOMMEND PANEL CUT-OUT

PANEL THICKNESS: 0.76 / .030 - 1.02 / .040

NEW RELEASE	EC NO.	DESCRIPTION	QUALITY SYMBOLS
	DRWN: TAZHANG 03/01/13		MAJOR = 0
A	CH/K:	CRITICAL = 0	
	APPR:		

GENERAL TOLERANCES: (UNLESS SPECIFIED)	
mm	INCH
4 PLACES ± .---	±. ---
3 PLACES ± .---	±. ---
2 PLACES ± 0.25	±. 0 10
1 PLACE ± 0.25	±. 0 10
ANGULAR: ± 3°	
DRAFT WHERE APPLICABLE MUST REMAIN WITHIN DIMENSIONS	

SCALE 2:1	DESIGN UNITS <input checked="" type="checkbox"/> mm <input type="checkbox"/> INCH
DRAWN BY & DATE TAZHANG 03/01/13	
CHECKED BY & DATE	
APPROVED BY & DATE	
CAD FILENAME S67351047.S02	

DIMENSIONS: <input checked="" type="checkbox"/> mm <input type="checkbox"/> INCH <input type="checkbox"/> mm ONLY		SHT	REV
THIRD ANGLE PROJECTION		REVISE ON CAD ONLY	
TITLE: DVI - I RIGHT ANGLE RECEPTACLE CONNECTOR LEAD FREE PLATING			
MOLEX INCORPORATED			
MATERIAL NO. SEE SHEET 1	DRAWING NO. SD-67351-047	SHEET NO. 2 OF 2	
THIS DRAWING CONTAINS INFORMATION THAT IS PROPRIETARY TO MOLEX INCORPORATED AND SHOULD NOT BE USED WITHOUT WRITTEN PERMISSION.			SIZE A3