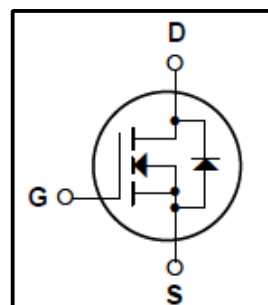


## Silicon N-Channel MOSFET

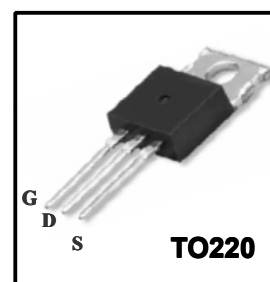
### Features

- 9A, 200V,  $R_{DS(on)}$ (Max 0.4 $\Omega$ )@ $V_{GS}=10V$
- Ultra-low Gate Charge(Typical 22nC)
- Fast Switching Capability
- 100%Avalanche Tested
- Maximum Junction Temperature Range(150 $^{\circ}C$ )



### General Description

This Power MOSFET is produced using Winsemi's advanced planar stripe, DMOS technology. This latest technology has been especially designed to minimize on-state resistance, have a high rugged avalanche characteristics. This devices is specially well suited for low voltage applications such as automotive, high efficiency switching for DC/DC converters, and DC motor control.



### Absolute Maximum Ratings

Symbol	Parameter	Value	Units
$V_{DSS}$	Drain Source Voltage	200	V
$I_D$	Continuous Drain Current(@ $T_c=25^{\circ}C$ )	9	A
	Continuous Drain Current(@ $T_c=100^{\circ}C$ )	5.7	A
$I_{DM}$	Drain Current Pulsed (Note1)	36	A
$V_{GS}$	Gate to Source Voltage	$\pm 30$	V
$E_{AS}$	Single Pulsed Avalanche Energy (Note 2)	160	mJ
$E_{AR}$	Repetitive Avalanche Energy (Note 1)	7.2	mJ
dv/dt	Peak Diode Recovery dv/dt (Note 3)	5.5	V/ns
$P_D$	Total Power Dissipation(@ $T_c=25^{\circ}C$ )	72	W
	Derating Factor above 25 $^{\circ}C$	0.57	W/ $^{\circ}C$
$T_J, T_{stg}$	Junction and Storage Temperature	-55~150	$^{\circ}C$
$T_L$	Maximum lead Temperature for soldering purposes	300	$^{\circ}C$

### Thermal Characteristics

Symbol	Parameter	Value			Units
		Min	Typ	Max	
$R_{QJC}$	Thermal Resistance, Junction-to-Case	-	-	1.74	$^{\circ}C/W$
$R_{QCS}$	Thermal Resistance, Case to Sink	-	0.5	-	$^{\circ}C/W$
$R_{QJA}$	Thermal Resistance, Junction-to-Ambient	-	-	62.5	$^{\circ}C/W$

# WFP630

## Electrical Characteristics (Tc = 25°C)

Characteristics		Symbol	Test Condition	Min	Type	Max	Unit
Gate leakage current		I <sub>GSS</sub>	V <sub>GS</sub> = ±30 V, V <sub>DS</sub> = 0 V	-	-	±100	nA
Gate-source breakdown voltage		V <sub>(BR)GSS</sub>	I <sub>G</sub> = ±10 μA, V <sub>DS</sub> = 0 V	±30	-	-	V
Drain cut-off current		I <sub>DSS</sub>	V <sub>DS</sub> = 200 V, V <sub>GS</sub> = 0 V	-	-	10	μA
Drain-source breakdown voltage		V <sub>(BR)DSS</sub>	I <sub>D</sub> = 250 μA, V <sub>GS</sub> = 0 V	200	-	-	V
Break Voltage Temperature Coefficient		$\frac{\Delta BV_{DSS}}{\Delta T_J}$	I <sub>D</sub> =250μA, Referenced to 25°C	-	0.2	-	V/°C
Gate threshold voltage		V <sub>GS(th)</sub>	V <sub>DS</sub> = 10 V, I <sub>D</sub> = 250 μA	2	-	4	V
Drain-source ON resistance		R <sub>DS(ON)</sub>	V <sub>GS</sub> = 10 V, I <sub>D</sub> = 4.5A	-	-	0.4	Ω
Forward Transconductance		g <sub>fs</sub>	V <sub>DS</sub> = 50 V, I <sub>D</sub> = 4.5A	-	7.05	-	S
Input capacitance		C <sub>iss</sub>	V <sub>DS</sub> = 25 V, V <sub>GS</sub> = 0 V, f = 1 MHz	-	500	720	pF
Reverse transfer capacitance		C <sub>rss</sub>		-	85	110	
Output capacitance		C <sub>oss</sub>		-	22	29	
Switching time	Rise time	t <sub>r</sub>	V <sub>DD</sub> = 100 V, I <sub>D</sub> = 9 A R <sub>G</sub> = 12 Ω (Note4,5)	-	11	30	ns
	Turn-on time	t <sub>on</sub>		-	70	150	
	Fall time	t <sub>f</sub>		-	60	130	
	Turn-off time	t <sub>off</sub>		-	65	140	
Total gate charge (gate-source plus gate-drain)		Q <sub>g</sub>	V <sub>DD</sub> = 160 V, V <sub>GS</sub> = 10 V, I <sub>D</sub> = 9 A (Note4,5)	-	22	29	nC
Gate-source charge		Q <sub>gs</sub>		-	3.6	-	
Gate-drain ("miller") Charge		Q <sub>gd</sub>		-	10	-	

## Source-Drain Ratings and Characteristics (Ta = 25°C)

Characteristics	Symbol	Test Condition	Min	Type	Max	Unit
Continuous drain reverse current	I <sub>DR</sub>	-	-	-	9	A
Pulse drain reverse current	I <sub>DRP</sub>	-	-	-	36	A
Forward voltage (diode)	V <sub>DSF</sub>	I <sub>DR</sub> = 9 A, V <sub>GS</sub> = 0 V	-	1.4	1.5	V
Reverse recovery time	t <sub>rr</sub>	I <sub>DR</sub> = 9A, V <sub>GS</sub> = 0 V, dI <sub>DR</sub> / dt = 100 A / μs	-	140	-	ns
Reverse recovery charge	Q <sub>rr</sub>		-	1.1	2.2	μC

Note 1.Repeativity rating :pulse width limited by junction temperature

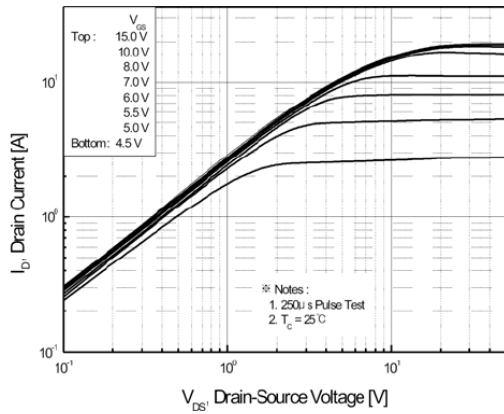
2.L=500uH,I<sub>AS</sub>=9 A,V<sub>DD</sub>=50V,R<sub>G</sub>=0Ω,Starting T<sub>J</sub>=25°C

3.I<sub>SD</sub>≤9A,di/dt≤300A/μs, V<sub>DD</sub><BV<sub>DSS</sub>,STARTING T<sub>J</sub>=25°C

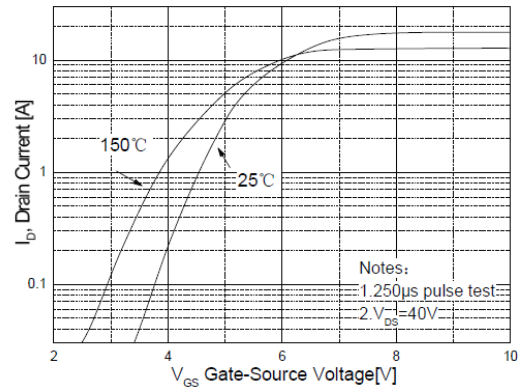
4.Pulse Test: Pulse Width≤300us,Duty Cycle≤2%

5.Essentially independent of operating temperature.

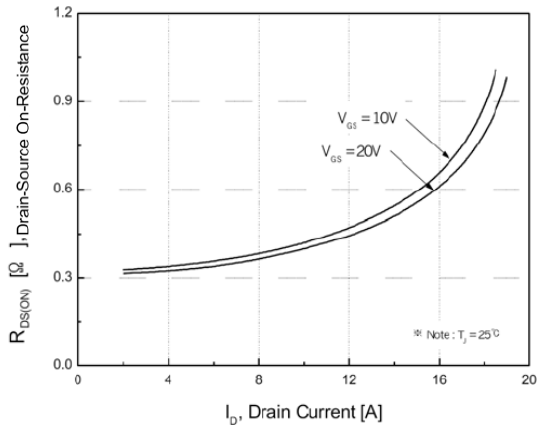
This transistor is an electrostatic sensitive device  
Please handle with caution



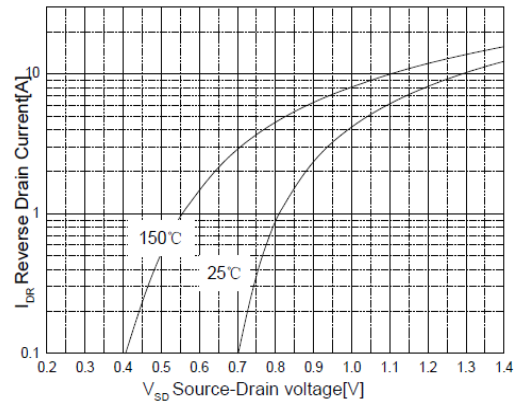
**Fig. 1 On-State Characteristics**



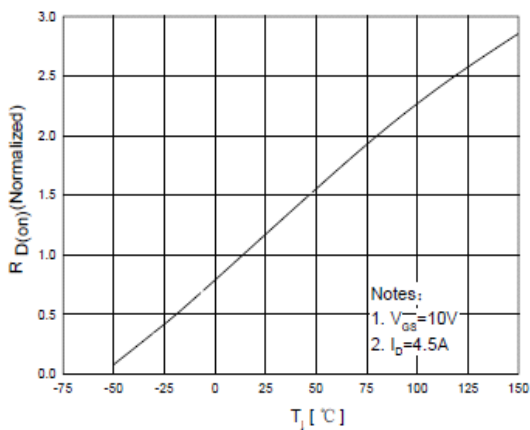
**Fig. 2 Transfer Characteristics**



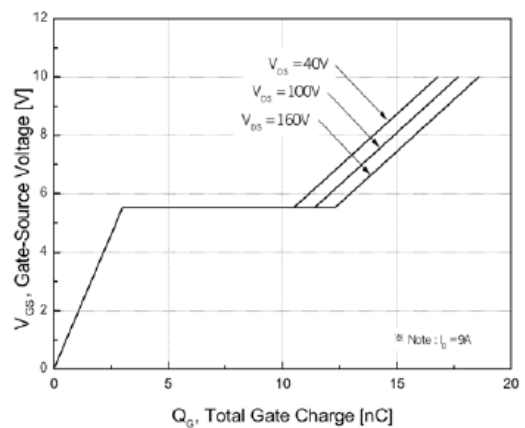
**Fig. 3 On-Resistance Variation vs Drain Current**



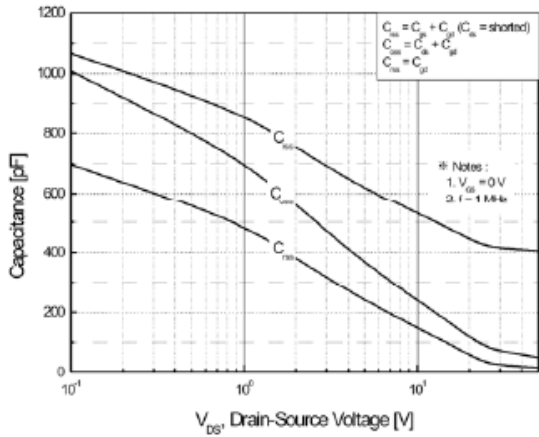
**Fig. 4 Body Diode Forward Voltage Variation vs. Source Current and Temperature**



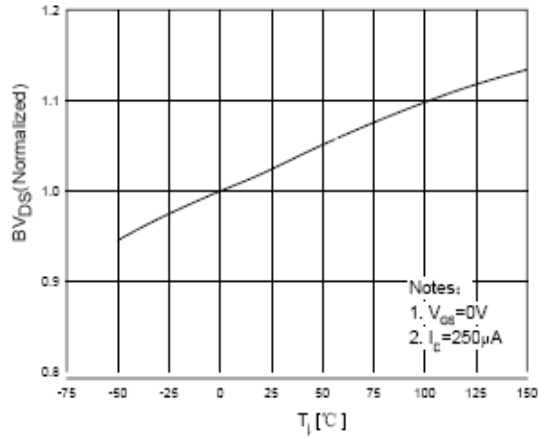
**Fig. 5 On-Resistance Variation vs Junction Temperature**



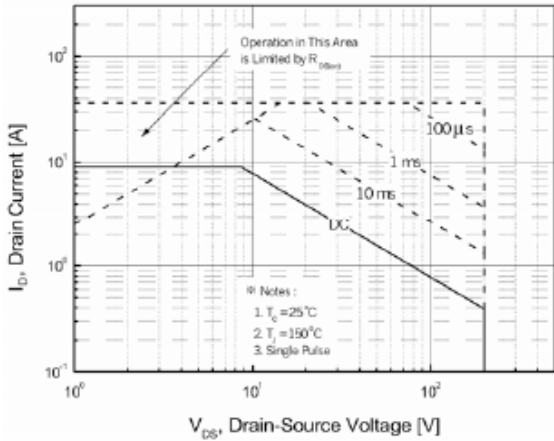
**Fig. 6 Gate Charge Characteristics**



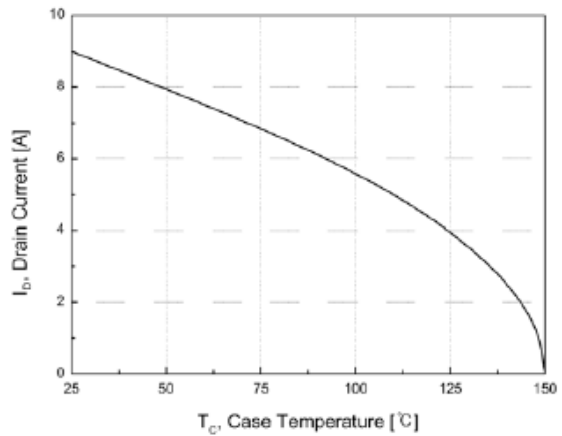
**Fig.8 Capacitance Characteristics**



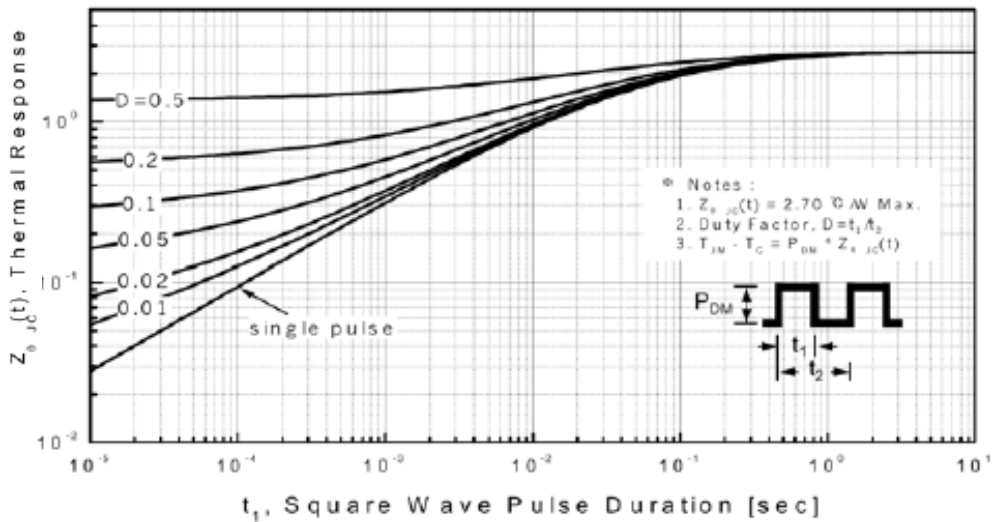
**Fig.9 Breakdown Voltage Variation vs. Temperature**



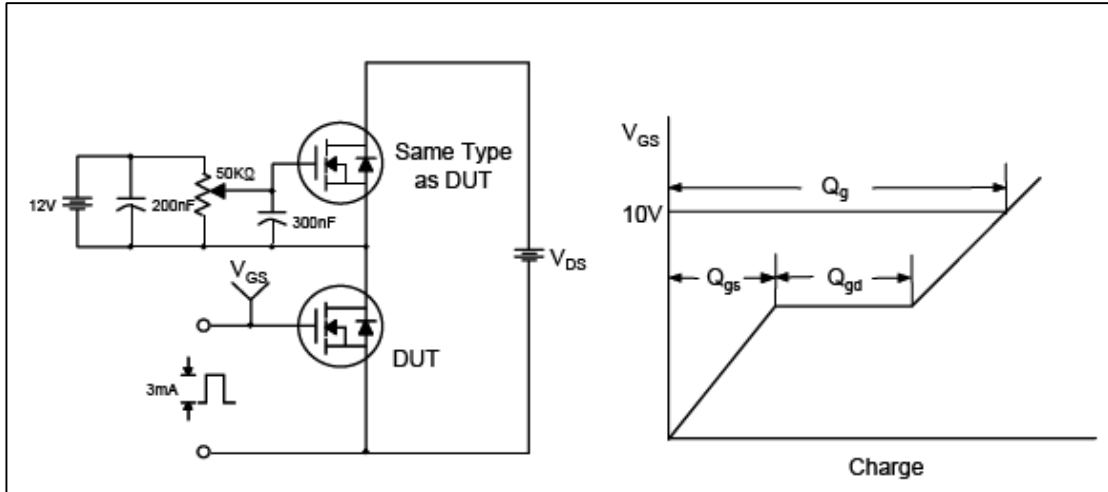
**Fig.9 Maximum Safe Operation Area**



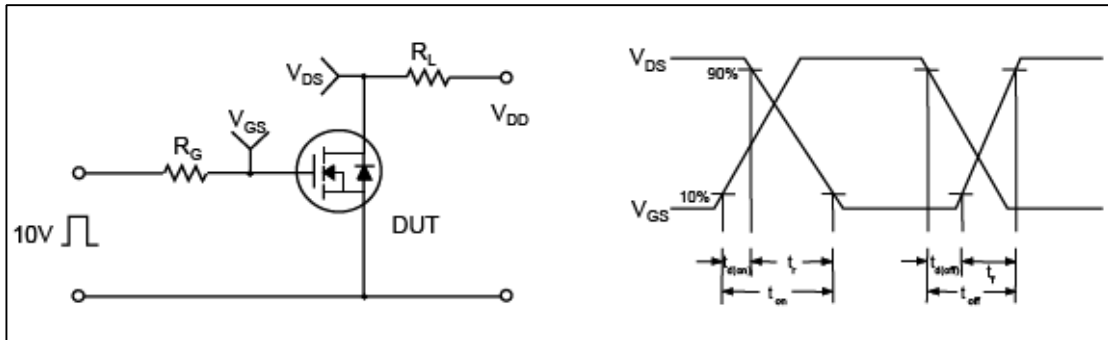
**Fig.10 Maximum Drain Current vs Case Temperature**



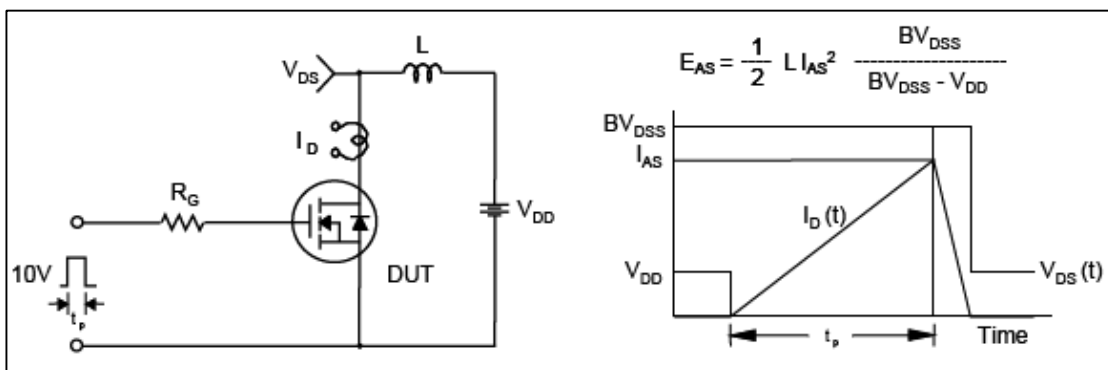
**Fig.11 Transient Thermal Response Curve**



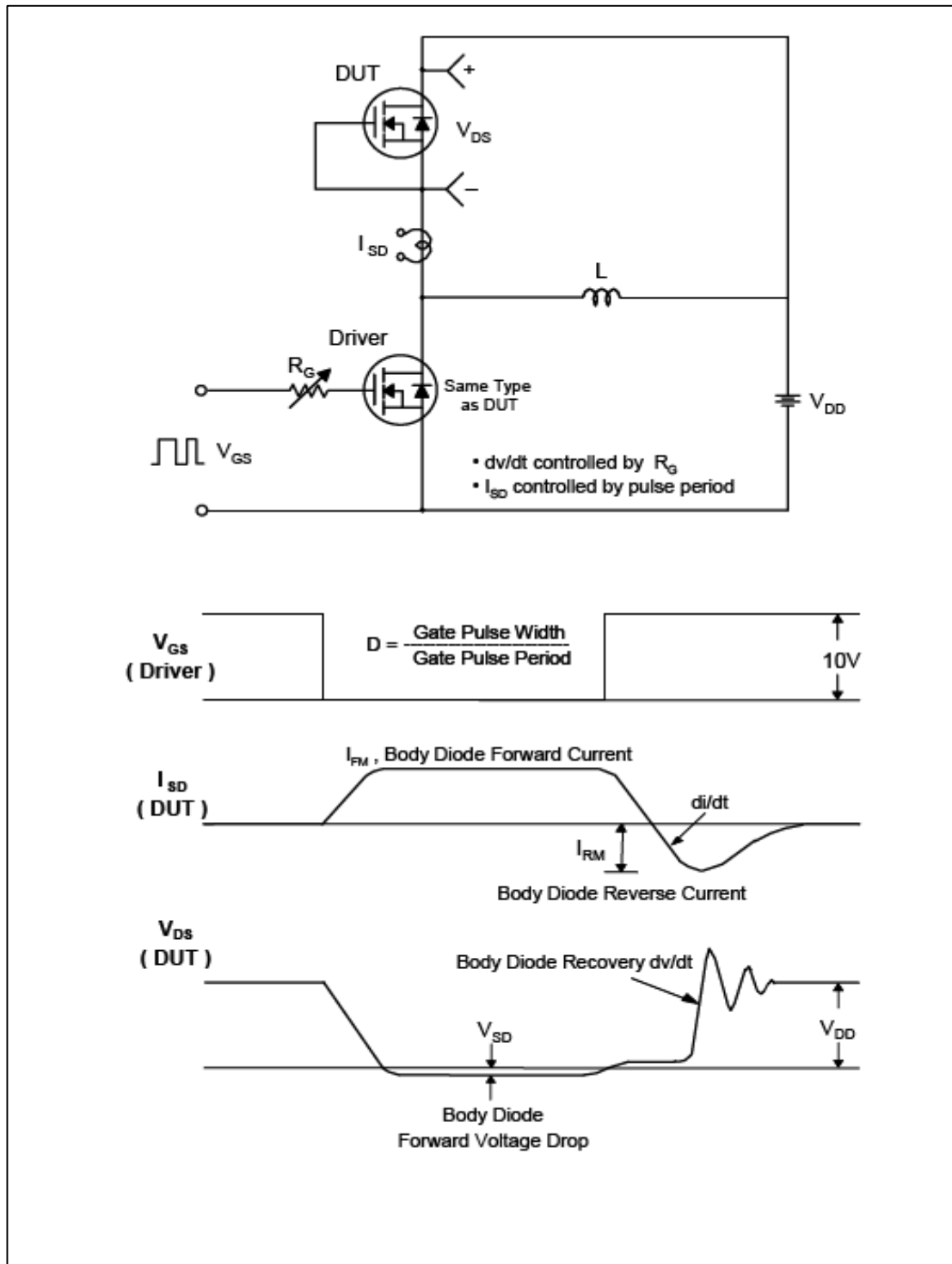
**Fig.10 Gate Test Circuit & Waveform**



**Fig.11 Resistive Switching Test Circuit & Waveform**



**Fig.12 Unclamped Inductive Switching Test Circuit & Waveform**



**Fig.13 Peak Diode Recovery  $dv/dt$  Test Circuit & Waveform**

## TO-220 Package Dimension

