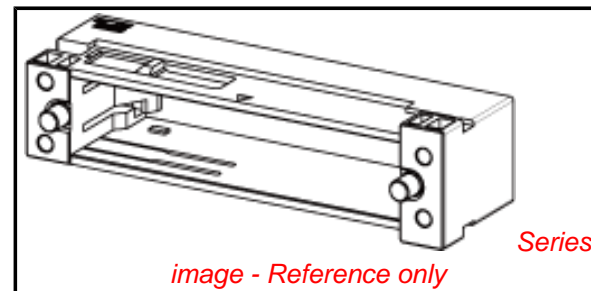


**PLEASE CHECK WWW.MOLEX.COM FOR LATEST PART INFORMATION**

**Part Number:** **5033702000**  
**Status:** **Active**  
**Description:** 2.50mm (.098") Pitch Floating Wire-to-Board Plug Adaptor, Dual Row, Panel Mount, Vertical, 20 Circuits

**Documents:**

[3D Model](#) [Product Specification PS-503367-001 \(PDF\)](#)  
[Drawing \(PDF\)](#) [RoHS Certificate of Compliance \(PDF\)](#)



*image - Reference only*

**General**

Product Family	Accessories
Series	<a href="#">503370</a>
Component Type	Adapter
Product Name	N/A

**Physical**

Circuits (Loaded)	0
Color - Resin	Black
Gender	Plug
Lock to Mating Part	Yes
Packaging Type	Bag
Temperature Range - Operating	-25°C to +85°C

**Material Info**

**Reference - Drawing Numbers**

Application Specification	AS-503367-001
Product Specification	PS-503367-001
Sales Drawing	SD-503370-001

**EU RoHS**

**ELV and RoHS  
Compliant**  
**REACH SVHC**  
 Not Reviewed  
**Halogen-Free  
Status**

**China RoHS**



**Not Reviewed**  
**Need more information on product  
environmental compliance?**

Email [productcompliance@molex.com](mailto:productcompliance@molex.com)  
 For a multiple part number RoHS Certificate of Compliance, [click here](#)

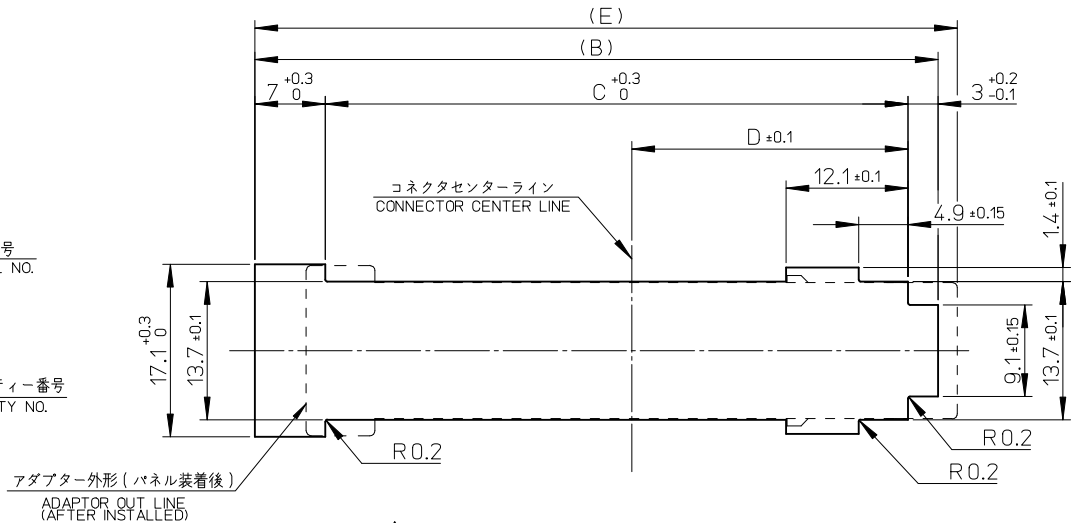
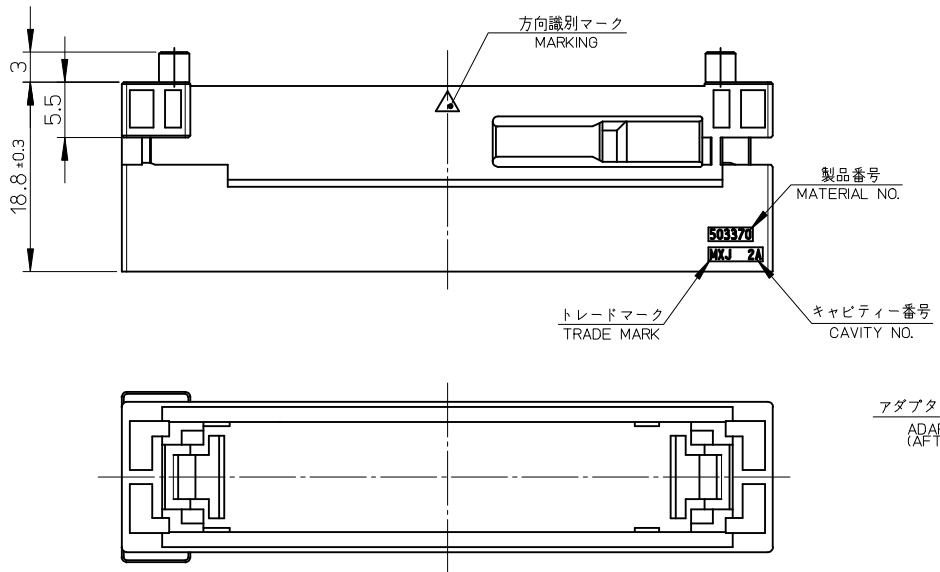
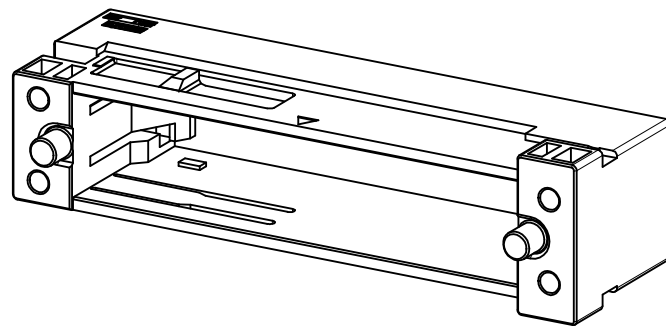
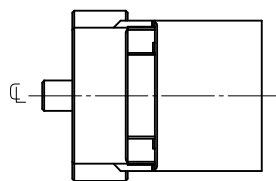
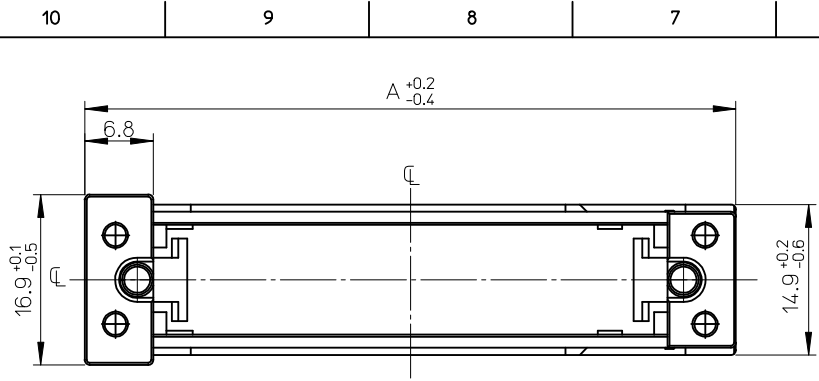
Please visit the [Contact Us](#) section for any non-product compliance questions.

**Search Parts in this Series**

[503370Series](#)

**Use With**

[503369](#) Plug Housing . [503370](#) Plug  
 Terminal . [503367PCB](#) Receptacle



△ パネル切り欠き穴寸法 (パネル厚: 2.5±0.1)  
PANEL HOLE DIMENSION (THK=2.5±0.1)

69.7	27.4	57.8	67.8	64.6	503370-3200	503370-**-00	32
54.7	19.9	42.8	52.8	49.6	503370-2000		20
E	D	C	B	A	PLASTIC BAG オーダー番号 ORDER No.	MODEL NO.	極数 CIRCUITS

注記:  
NOTES

- 材質: ポリブチレンテレフタレート (PBT)、ガラス充填、UL94V-0、黒色  
MATERIAL: POLYBUTYLENE TEREPHTHALATE (PBT), GLASS FILLED, UL94V-0, BLACK
- 適合ハウジング: 503369-\*\*-00  
APPLICABLE HOUSING: 503369-\*\*-00
- △ パネル切り欠き穴のハウジング挿入側は、挿入性向上の為適度な面取りを設置してください。  
PLEASE INSTALL CHAMFER ALONG THE PANEL HOLE OF HOUSING INSERTION SIDE.
- 製品仕様及び取り扱いについては、製品仕様書PS-503367-001及び、コネクタ取扱説明書AS-503367-001を参照願います。  
PLEASE REFER TO PRODUCTS SPECIFICATION PS-503367-001 AND USER'S MANUAL AS-503367-001.
- ELV及びRoHS適合品。  
ELV AND RoHS COMPLIANT.

RELEASED EC NO.: J2009-2286 DRWN: KWASHIO 2009/04/15 CHKD: SSAT003 2009/04/15 APPR: SICHIKAWA 2009/04/15	DESCRIPTION REV: O	GENERAL TOLERANCES (UNLESS SPECIFIED)		DIMENSION STYLE MM ONLY		SCALE 2:1	DESIGN UNITS METRIC	THIRD ANGLE PROJECTION		
		10 UNDER	±0.2	DRAWN BY KKOBAYASHI	DATE 09/04/15	TITLE 2.5 FLOATING CONN. PLUG ADAPTOR				
		10 OVER 30 UNDER	±0.25	CHECKED BY SSAT003	DATE 09/04/15	MOLEX INCORPORATED				
		30 OVER	±0.3	APPROVED BY SICHIKAWA	DATE 09/04/15	DOCUMENT NO. SD-503370-001				
ANGULAR ±3 °		DRAFT WHERE APPLICABLE MUST REMAIN WITHIN DIMENSIONS		SEE CHART		SHEET NO. 1 OF 1		THIS DRAWING CONTAINS INFORMATION THAT IS PROPRIETARY TO MOLEX INCORPORATED AND SHOULD NOT BE USED WITHOUT WRITTEN PERMISSION		