

**PLEASE CHECK WWW.MOLEX.COM FOR LATEST PART INFORMATION**

**Part Number:** [0513531800](#)  
**Status:** **Active**  
**Overview:** microclasp  
**Description:** 2.00mm (.079") Pitch MicroClasp™ Wire-to-Board Receptacle Housing, Positive Lock, Dual Row, 18 circuits

**Documents:**

[3D Model](#) [Product Specification PS-51353-010 \(PDF\)](#)  
[Drawing \(PDF\)](#) [RoHS Certificate of Compliance \(PDF\)](#)  
[Product Specification PS-51353-003 \(PDF\)](#)

**Agency Certification**

UL E29179

**General**

Product Family Crimp Housings  
 Series [51353](#)  
 MolexKits Yes  
 Overview [microclasp](#)  
 Product Name MicroClasp™

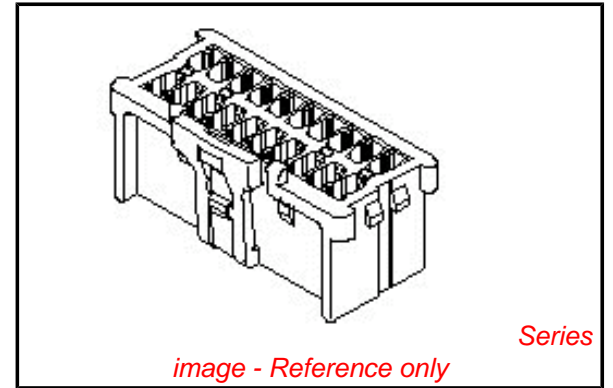
**Physical**

Circuits (maximum) 18  
 Color - Resin White  
 Flammability 94V-0  
 Gender Female  
 Glow-Wire Compliant No  
 Lock to Mating Part Yes  
 Material - Resin Nylon  
 Number of Rows 2  
 Packaging Type Bag  
 Panel Mount No  
 Pitch - Mating Interface (in) 0.079 In  
 Pitch - Mating Interface (mm) 2.00 mm  
 Stackable No  
 Temperature Range - Operating -25°C to +85°C

**Material Info**

**Reference - Drawing Numbers**

Packaging Specification SPK-51353-001  
 Product Specification PS-51353-003, PS-51353-010, RPS-501844-001, RPS-51353-005, RPS-51353-008, RPS-51353-009, RPS-51353-010, RPS-51353-013, RPS-51353-014, RPS-51353-016, RPS-51353-017, RPS-51353-018, RPS-51353-019, RPS-51353-020, RPS-51353-021, RPS-51353-022, RPS-51353-023, RPS-51353-024, RPS-51353-025, RPS-51353-026, RPS-51353-028, RPS-51353-030  
 Sales Drawing SD-51353-002



**EU RoHS**

**ELV and RoHS Compliant**  
**REACH SVHC**  
 Not Reviewed  
**Halogen-Free Status**  
**Not Reviewed**

**China RoHS**



**Need more information on product environmental compliance?**

Email [productcompliance@molex.com](mailto:productcompliance@molex.com)  
 For a multiple part number RoHS Certificate of Compliance, [click here](#)

Please visit the [Contact Us](#) section for any non-product compliance questions.

**Search Parts in this Series**

[51353Series](#)

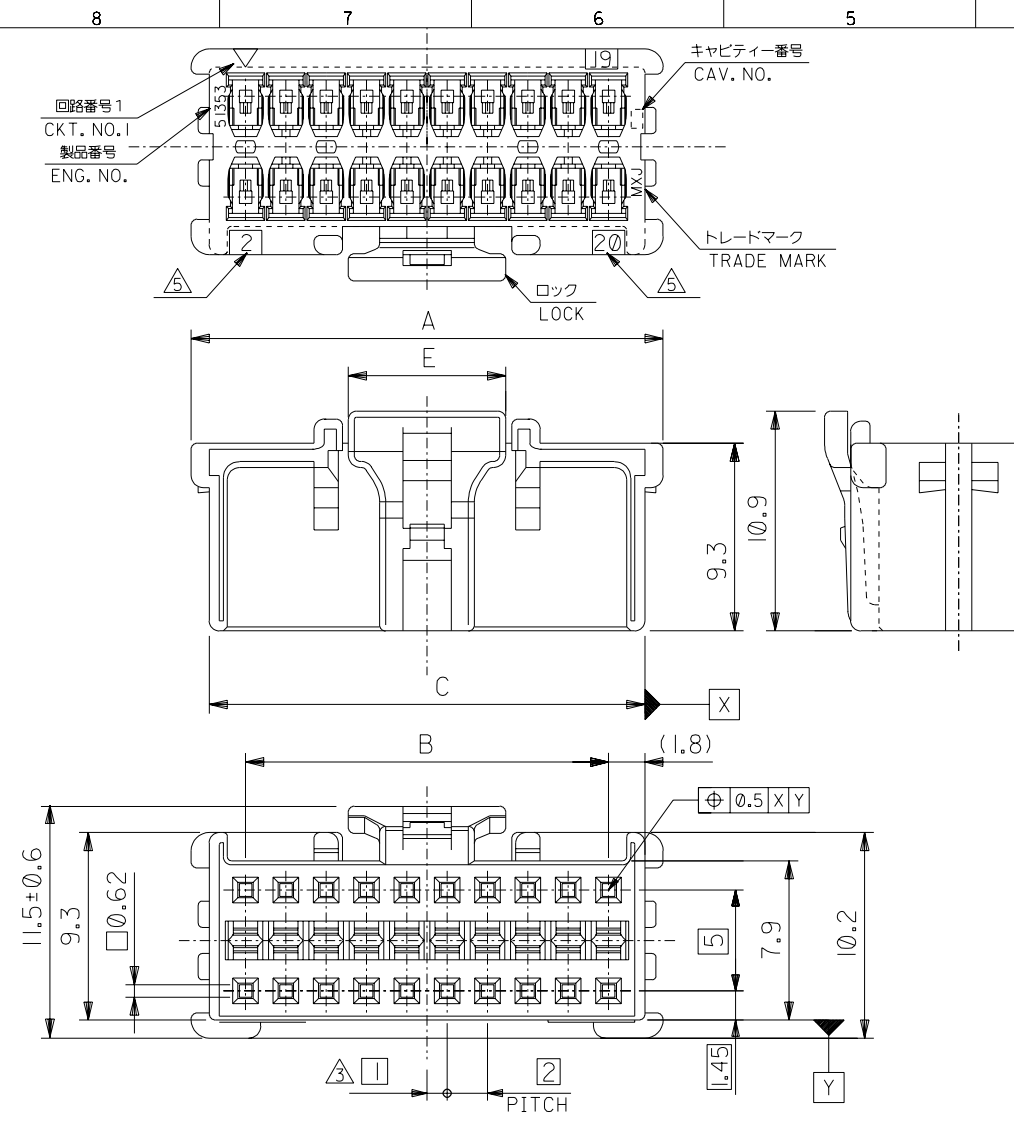
**Mates With**

[55917](#) Vertical Header with Kinked PC Tails, [55959](#) Right Angle Header, [501844](#) Vertical Header

**Use With**

[56134](#) Terminal

DO NOT SCALE DRAWING



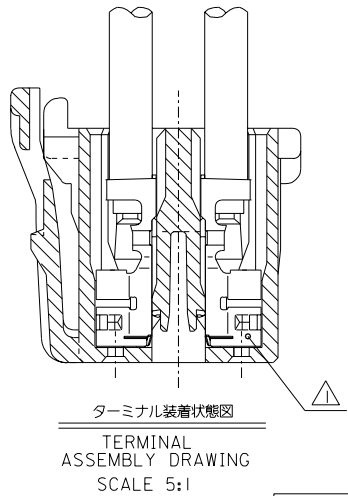
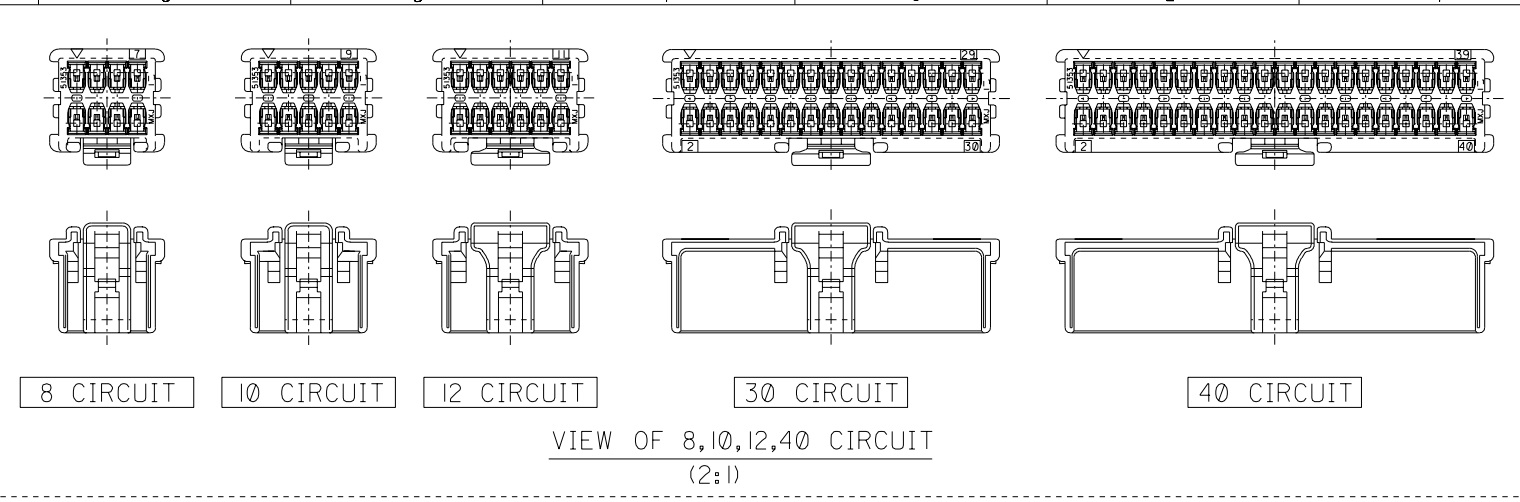
注記 NOTES

- △ 適合ターミナル : 56134-9000, 9100  
APPLICABLE TERMINAL : 56134-9000, 9100
- 2. 嵌合相手 : 55917, 55959 シリーズ  
MATE WITH : 55917, 55959 SERIES  
(全極数/2) = 偶数の場合に適用。  
APPLY FOR (CIRCUIT/2) = EVEN
- △ 製品番号 MATERIAL NO. 51353-\*\*0\*  
極数 CIRCUIT SIZE 色 COLOR
- △ ロック側の回路番号表示は、8~14極は無し、16~40極は有り。  
LOCK SIDE CKT. NO. DIDN'T INDICATED 8~14CKT, INDICATE 16~40CKT.

ナチュラル (白) NATURAL (WHITE)	0
黒 BLACK	1
赤 RED	2
黄 YELLOW	3
青 BLUE	4
桃 PINK	5
緑 GREEN	6
茶 BROWN	7
橙 ORANGE	8
紫 VIOLET	9

7.8	36.5	41.6	38	43.4	51353-400*	40	
	34.5	39.6	36	41.4	-380*	38	
	32.5	37.6	34	39.4	-360*	36	
	30.5	35.6	32	37.4	-340*	34	
	28.5	33.6	30	35.4	-320*	32	
	26.5	31.6	28	33.4	-300*	30	
	24.5	29.6	26	31.4	-280*	28	
	22.5	27.6	24	29.4	-260*	26	
	20.5	25.6	22	27.4	-240*	24	
	18.5	23.6	20	25.4	-220*	22	
	16.5	21.6	18	23.4	-200*	20	
	14.5	19.6	16	21.4	-180*	18	
	12.5	17.6	14	19.4	-160*	16	
	10.5	15.6	12	17.4	-140*	14	
	7.8	8.5	13.6	10	15.4	-120*	12
	4.7	6.5	11.6	8	13.4	-100*	10
	4.7	4.5	9.6	6	11.4	51353-080*	8
E	D	C	B	A	MATERIAL NO.	CKT.	

EC NO. DRWN: CHK: APPR:	REVISED	MATERIAL 材料 66NYLON, UL94V-0	GENERAL TOLERANCES: (UNLESS SPECIFIED) 一般公差	SCALE	DESIGN UNITS	MODEL NO.	DIMENSIONS:		SHT	REV	
	EC NO. J2003-0719 DRWN:N.ITO '02/10/22 CHK: K.ASAKAWA APPR:T.YAMAGUCHI			10 UNDER 未滿	mm	THIRD ANGLE PROJECTION	mm	INCH	mm	ONLY	REVISE ON CAD ONLY
	REVISED			10 OVER 30 UNDER 未滿	mm	INCH	mm	ONLY			
	EC NO. J2003-0066 DRWN:N.ITO '02/07/08 CHK: K.ASAKAWA APPR:T.YAMAGUCHI			30 OVER 以上	mm	INCH	mm	ONLY			
REVISED	RELEASED	FINISH 仕上げ	ANGLE 角度	DRAWN BY & DATE N.ITO '01/12/17		TITLE: 2.0mm W+-B DUAL CONN DIP RCPT HOUSING					
EC NO. J2002-2307 DRWN:N.ITO '02/03/18 CHK: K.ASAKAWA APPR:T.YAMAGUCHI	EC NO. J2002-1196 DRWN:N.ITO '01/12/17 CHK: K.ASAKAWA APPR:T.YAMAGUCHI	WIRE RANGE 適用線径範囲		CHECKED BY & DATE K.ASAKAWA '02/10/22		MOLEX MOLEX INCORPORATED					
EC NO. J2003-0066 DRWN:N.ITO '02/07/08 CHK: K.ASAKAWA APPR:T.YAMAGUCHI	EC NO. J2002-2307 DRWN:N.ITO '02/03/18 CHK: K.ASAKAWA APPR:T.YAMAGUCHI	INS. RANGE 被覆外径		APPROVED BY & DATE T.YAMAGUCHI '02/10/22						MATERIAL NO.	DRAWING NO.
				CAD FILENAME 51353002.S01		SEE CHART	SD-51353-002	1 OF 2			



DO NOT SCALE DRAWING

EC NO. DRWN: CH'K: APPR:	REVISED	MATERIAL 材料  SEE CHART 1 OF 2	FINISH 仕上り  //	WIRE RANGE 適用線径範囲  //	INS. RANGE 被覆外径  //
	EC NO. J2003-0719 DRWN:N.ITO '02/09/12 CH'K: K.ASAKAWA APPR:T.YAMAGUCHI				
	REVISED				
	EC NO. J2003-0066 DRWN:N.ITO '02/07/08 CH'K: K.ASAKAWA APPR:T.YAMAGUCHI				
	REVISED				
C	A	0	RELEASED	EC NO. J2002-1196 DRWN:N.ITO '01/12/17 CH'K: K.ASAKAWA APPR:T.YAMAGUCHI	

51353-**-0*		MODEL NO.	DIMENSIONS:		SHT	REV
SCALE //	DESIGN UNITS <input checked="" type="checkbox"/> mm <input type="checkbox"/> INCH	<input checked="" type="checkbox"/> THIRD ANGLE <input type="checkbox"/> PROJECTION	<input type="checkbox"/> mm <input type="checkbox"/> INCH	<input checked="" type="checkbox"/> mm <input type="checkbox"/> ONLY		REVISE ON CAD ONLY
DRAWN BY & DATE N.ITO '01/12/17		TITLE: 2.0mm W+-B DUAL CONN DIP RCPT HOUSING				
CHECKED BY & DATE K.ASAKAWA '02/09/12		APPROVED BY & DATE T.YAMAGUCHI '02/09/12				
CAD FILENAME 51353002.S02		MATERIAL NO. SEE CHART	DRAWING NO. SD-51353-002	SHEET NO. 2 OF 2		
THIS DRAWING CONTAINS INFORMATION THAT IS PROPRIETARY TO MOLEX INCORPORATED AND SHOULD NOT BE USED WITHOUT WRITTEN PERMISSION.					SIZE B	