

PLEASE CHECK WWW.MOLEX.COM FOR LATEST PART INFORMATION

Part Number: [0527461271](#)
Status: **Active**
Overview:
Description: 0.50mm (.020") Pitch FFC/FPC Connector, Right Angle, SMT, ZIF, Bottom Contact Style, 12 Circuits, Lead-free, Gold Contact Plating, High Barrier Packaging

Agency Certification

CSA LR19980
 UL E29179

General

Product Family FFC/FPC Connectors
 Series 52746
 Overview ffc_fpc_smt
 Product Name N/A

Physical

Circuits (Loaded) 12
 Contact Position Bottom
 Durability (mating cycles max) 20
 Entry Angle 90° Angle
 Flammability 94V-0
 Mated Height (in) 0.079 In
 Mated Height (mm) 2.00 mm
 Material - Metal Phosphor Bronze
 Material - Plating Mating Gold
 Material - Plating Termination Gold
 Number of Rows 1
 Orientation Right Angle
 PCB Locator No
 PCB Retention Yes
 Packaging Type Embossed Tape on Reel
 Pitch - Mating Interface (in) 0.020 In
 Pitch - Mating Interface (mm) 0.50 mm
 Polarized to PCB Yes
 Stackable No
 Temperature Range - Operating -20°C to +85°C
 Termination Interface: Style Surface Mount
 Wire/Cable Type FFC/FPC

Electrical

Current - Maximum per Contact 0.5A
 Voltage - Maximum 50V

Material Info

Reference - Drawing Numbers

Packaging Specification SPK-52746-001, SPK-52746-002
 Product Specification PS-52746-015, RPS-52746-017, RPS-52746-038, RPS-52746-041, RPS-52746-044, RPS-52746-045, RPS-52746-050, RPS-52746-051, RPS-52746-053, RPS-52746-054, RPS-52746-056, RPS-52746-057, RPS-52746-060, RPS-52746-062
 Sales Drawing SD-52746-024, SD-52746-025

EU RoHS
ELV and RoHS
Compliant
REACH SVHC
 Not Reviewed
Halogen-Free
Status
Not Reviewed

China RoHS



Need more information on product environmental compliance?

Email productcompliance@molex.com
 For a multiple part number RoHS Certificate of Compliance, [click here](#)

Please visit the [Contact Us](#) section for any non-product compliance questions.

Search Parts in this Series
[52746Series](#)

This document was generated on 06/05/2010

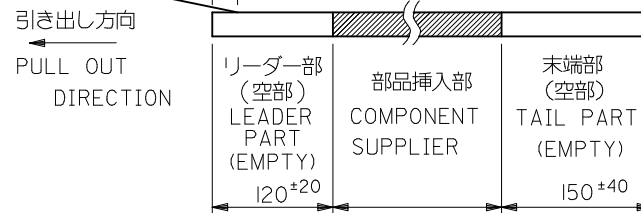
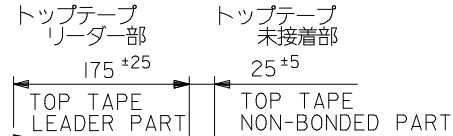
PLEASE CHECK WWW.MOLEX.COM FOR LATEST PART INFORMATION

注記 NOTES

1. 製品番号 52746-***39 の梱包状態はアクチュエータがロックした状態とする。
 詳細寸法については図面 SD-52746-025 を参照下さい。
 IN THE PACKAGE,ACTUATOR OF PART NO.52746-***39 SHOULD BE LOCKED
 RE DETAILED DIMENSIONS,SEE SD-52746-025

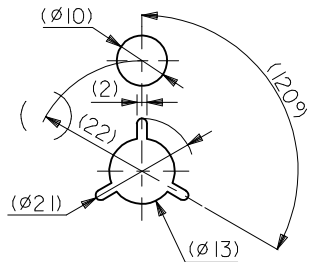
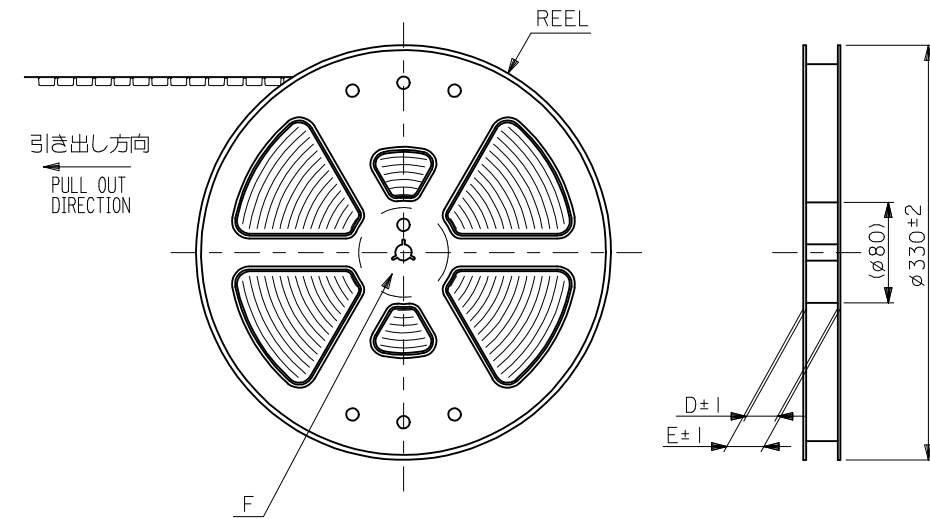
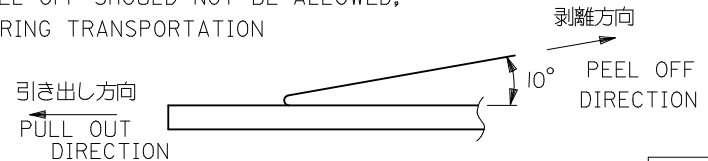
2. 梱包数量：1000個/リール
 NUMBER OF CONNECTORS:1000PCS/REEL

3. リードテープ長さ LEAD TAPE LENGTH



4. トップテープの剥離強度：(剥離方向は下図参照)
 0.1N~1.3N{10gf~130gf} 尚、本規格値は、出荷時に適用。
 (但し、輸送時に剥離が発生しない事。)

PEELING OFF FORCE OF TOP TAPE
 0.1N~1.3N{10gf~130gf}(PEELING DIRECTION AS SHOWN IN FOLLOWING FIG.)
 THIS REQUIREMENT SHOULD BE APPLIED AT SHIPMENT
 PEEL OFF SHOULD NOT BE ALLOWED,
 DURING TRANSPORTATION



DETAIL F

5. 材料 キャリアテープ:ポリプロピレン (PP)
 トップテープ:PET, PE, PEF
 リール:ポリスチレン (PS) <リサイクル材を含む>

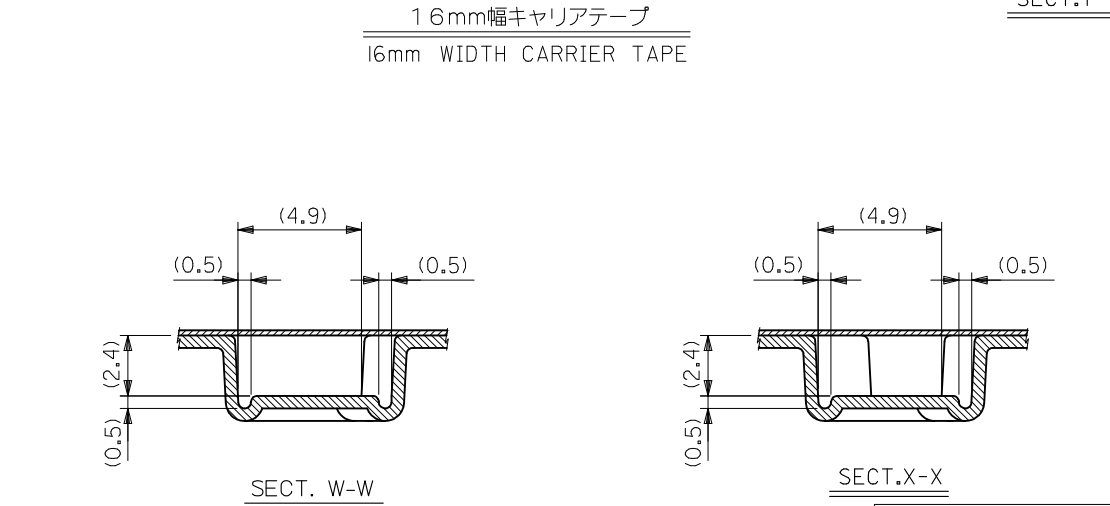
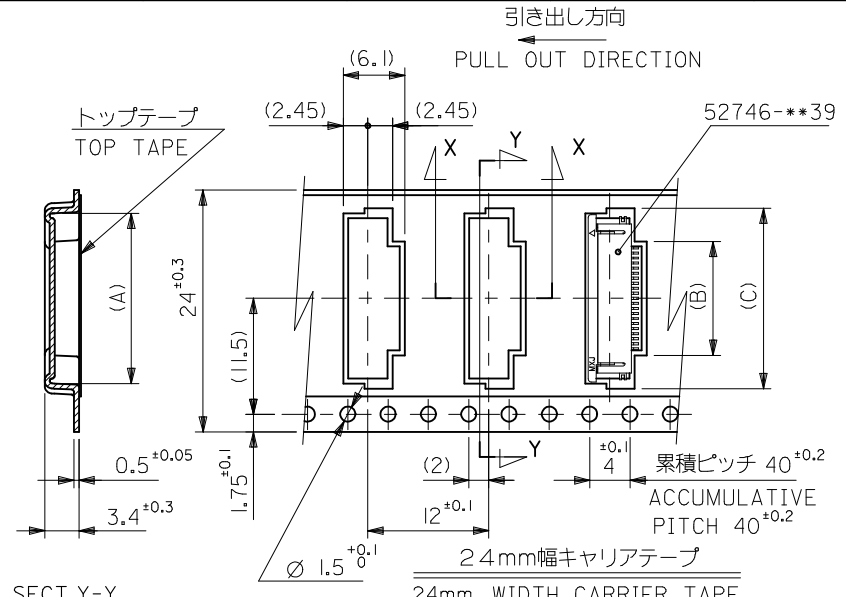
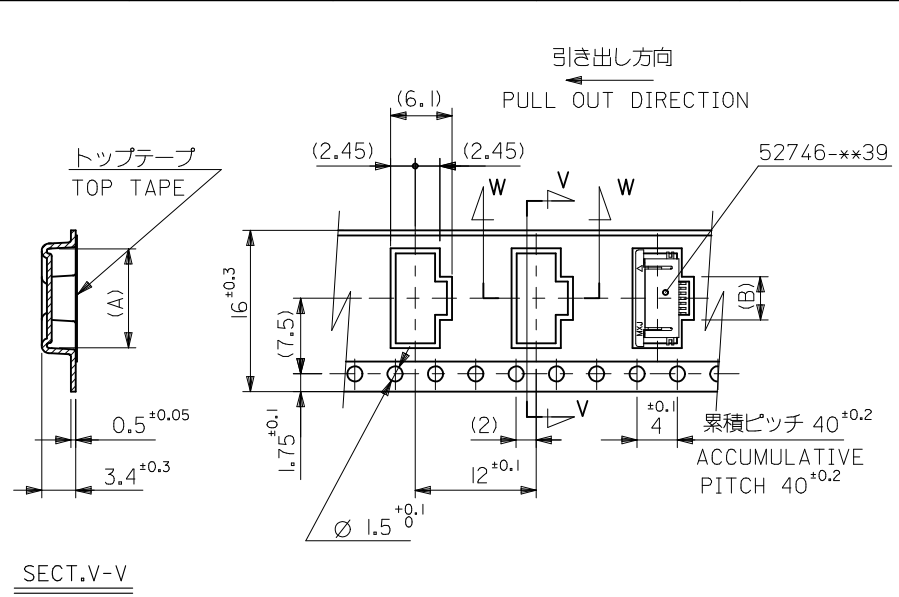
MATERIAL CARRIER TAPE:POLYPROPYLENE
 TOP TAPE:PET,PE,PEF
 REEL:POLYSTYRENE(PS)
 <RECYCLE MATERIAL CONTAINED>

6. 本製品は 52746-***81 の鉛フリー品です
 THIS PRODUCT IS LEAD FREE OF 52746-***81

7. 本製品は乾燥剤入り、ハイバリア梱包仕様である。
 THIS PRODUCT IS HIGH BARRIER PACKAGE WITH DESICCANT.

MODEL No.52746-***71

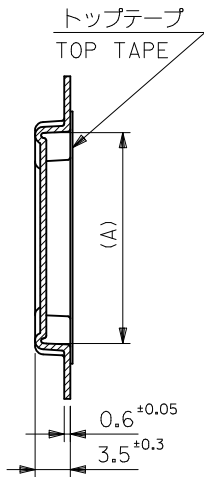
REVISED EC NO: J2009-2061 DRWN:TKON CHKD:HATSUMOTO APPR:NUKITA	GENERAL TOLERANCES (UNLESS SPECIFIED)		DIMENSION STYLE MM ONLY		SCALE ---	DESIGN UNITS METRIC	THIRD ANGLE PROJECTION
	10 UNDER	±0.2	DRAWN BY HSHIMABUKURO	DATE '04/01/30	TITLE 0.5 FPC CONN ZIF SMT RA B/CONT EMBSTP PKG -LEAD FREE-		
	10 OVER 30 UNDER	±0.25	CHECKED BY KTOJO	DATE '04/01/30			
	30 OVER	±0.3	APPROVED BY MSASAO	DATE '04/01/30	MOLEX INCORPORATED		
	ANGULAR ±3 °		MATERIAL NO. SEE SHEET 2,3				
DRAFT WHERE APPLICABLE MUST REMAIN WITHIN DIMENSIONS		THIS DRAWING CONTAINS INFORMATION THAT IS PROPRIETARY TO MOLEX INCORPORATED AND SHOULD NOT BE USED WITHOUT WRITTEN PERMISSION					



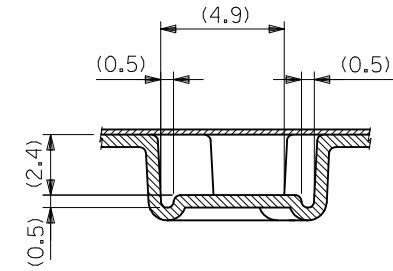
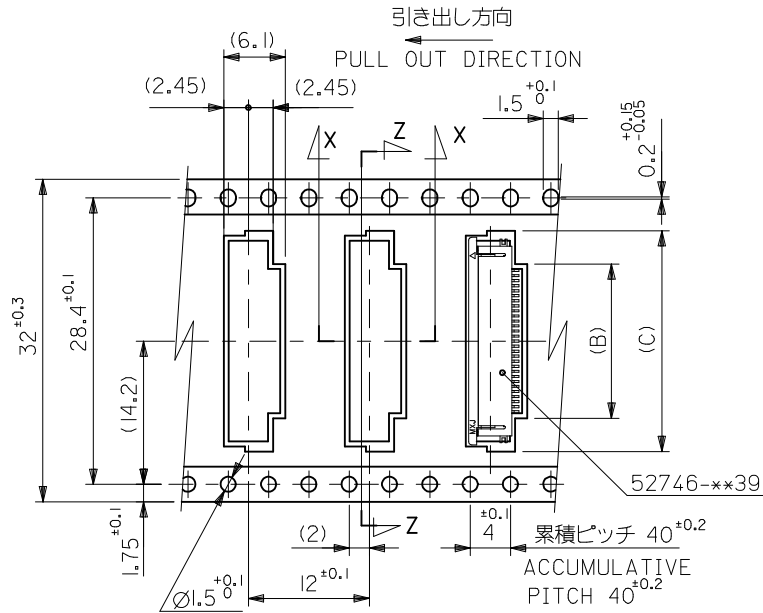
24	29.4	25.4	24.4	11.8	17.4	52746-2271	22
			17.9	11.3	16.9	52746-2171	21
			17.4	10.8	16.4	52746-2071	20
			16.9	10.3	15.9	52746-1971	19
			16.4	9.8	15.4	52746-1871	18
			15.9	9.3	14.9	52746-1771	17
			15.4	8.8	14.4	52746-1671	16
			14.9	8.3	13.9	52746-1571	15
			14.4	7.8	13.4	52746-1471	14
			13.9	7.3	12.9	52746-1371	13
			13.4	6.8	12.4	52746-1271	12
			12.9	6.3	11.9	52746-1171	11
			12.4	5.8	11.4	52746-1071	10
			11.9	5.3	10.9	52746-0971	9
			11.4	4.8	10.4	52746-0871	8
			10.9	4.3	9.9	52746-0771	7
10.4	3.8	9.4	52746-0671	6			
9.4	2.8	8.4	52746-0471	4			
キャリアテープ幅 CARRIER TAPE WIDTH	E	D	(C)	(B)	(A)	MATERIAL NO.	極数 CIRCUITS

MODEL No.52746-***71

REVISED EC NO: J2009-2061 DRWN:TKON 2009/05/20 CHKD:HMATSUMOTO 2009/05/21 APPR:NIKI ITA 2009/05/21	GENERAL TOLERANCES (UNLESS SPECIFIED)	DIMENSION STYLE MM ONLY	SCALE ---	DESIGN UNITS METRIC	THIRD ANGLE PROJECTION
	10 UNDER ±0.2	DRAWN BY HSHIMABUKURO	DATE '04/01/30	TITLE 0.5 FPC CONN ZIF SMT RA B/CONT EMBSTP PKG -LEAD FREE-	
	10 OVER 30 UNDER ±0.25	CHECKED BY KTOJO	DATE '04/01/30	MOLEX INCORPORATED	
	30 OVER ±0.3	APPROVED BY MSASAO	DATE '04/01/30	DOCUMENT NO. SD-52746-024	SHEET NO. 2 OF 3
ANGULAR ±3 °	MATERIAL NO.	SEE TABLE	THIS DRAWING CONTAINS INFORMATION THAT IS PROPRIETARY TO MOLEX INCORPORATED AND SHOULD NOT BE USED WITHOUT WRITTEN PERMISSION		
DRAFT WHERE APPLICABLE MUST REMAIN WITHIN DIMENSIONS	SIZE A3				



SECT.Z-Z



SECT.X-X

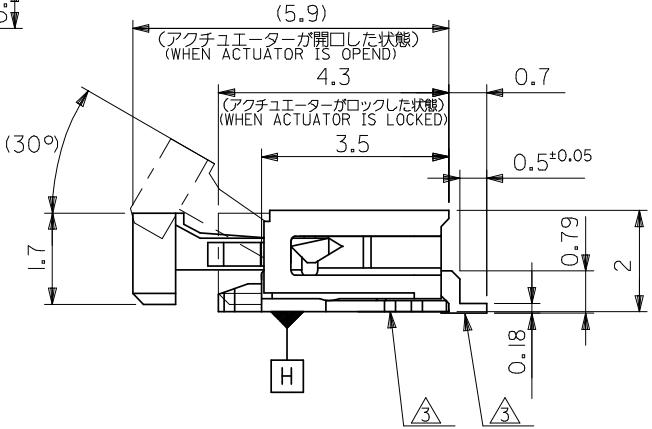
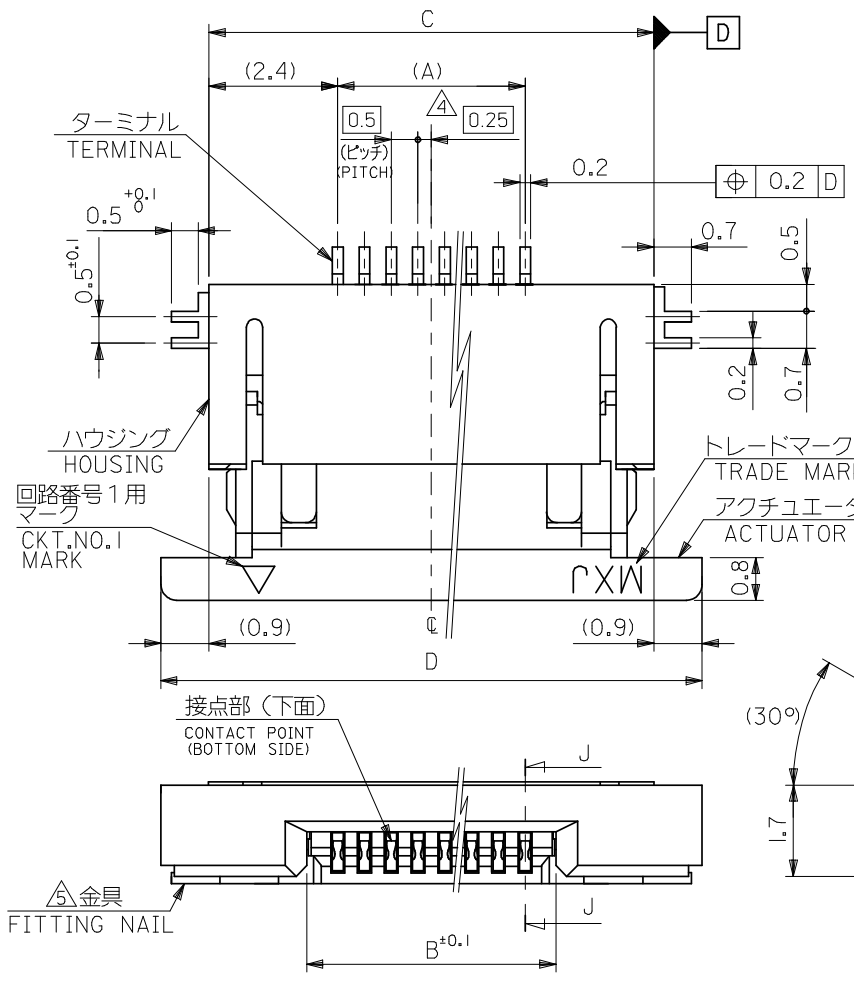
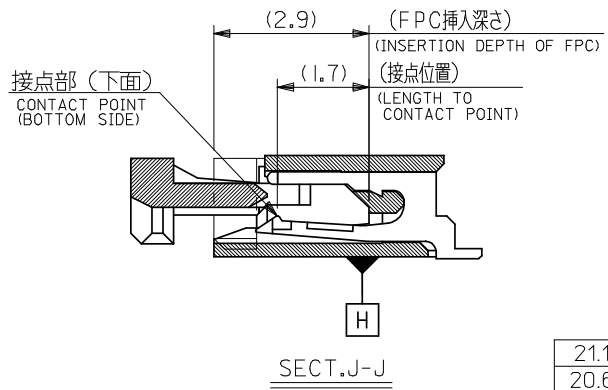
32mm幅キャリアテープ
32mm WIDTH CARRIER TAPE

32	37.4	33.4	22.4	15.8	21.4	52746-3071	30
			21.4	14.8	20.4	52746-2871	28
			20.9	14.3	19.9	52746-2771	27
			19.9	13.3	18.9	52746-2571	25
			19.4	12.8	18.4	52746-2471	24
キャリアテープ幅 CARRIER TAPE WIDTH	E	D	(C)	(B)	(A)	MATERIAL NO.	極数 CIRCUIT

REVISED EC NO: J2009-2061 DRWN:TKON 2009/05/20 CHKD:HMATSUMOTO 2009/05/21 APPR:NUKITA 2009/05/21	DESCRIPTION REV	GENERAL TOLERANCES (UNLESS SPECIFIED)		DIMENSION STYLE MM ONLY		SCALE ---	DESIGN UNITS METRIC	THIRD ANGLE PROJECTION		
		10 UNDER	±0.2	DRAWN BY HSHIMABUKURO	DATE '04/01/30	TITLE 0.5 FPC CONN ZIF SMT RA B/CONT EMBSTP PKG -LEAD FREE-				
		10 OVER 30 UNDER	±0.25	CHECKED BY KTOJO	DATE '04/01/30	MOLEX INCORPORATED				
		30 OVER	±0.3	APPROVED BY MSASAO	DATE '04/01/30	DOCUMENT NO. SD-52746-024				
		ANGULAR ±3 °		MATERIAL NO. SEE TABLE		SHEET NO. 3 OF 3				
DRAFT WHERE APPLICABLE MUST REMAIN WITHIN DIMENSIONS		THIS DRAWING CONTAINS INFORMATION THAT IS PROPRIETARY TO MOLEX INCORPORATED AND SHOULD NOT BE USED WITHOUT WRITTEN PERMISSION								

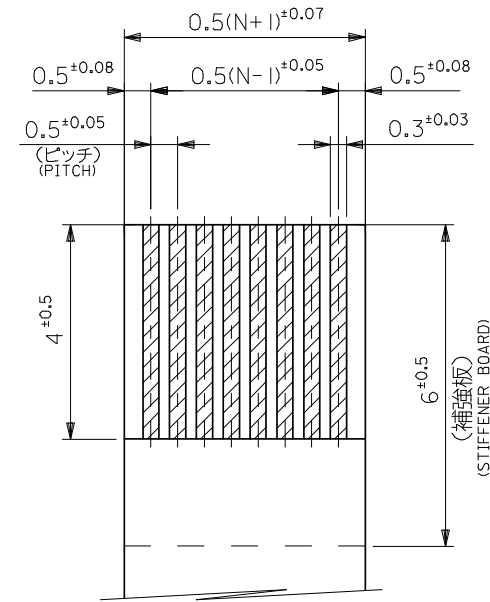
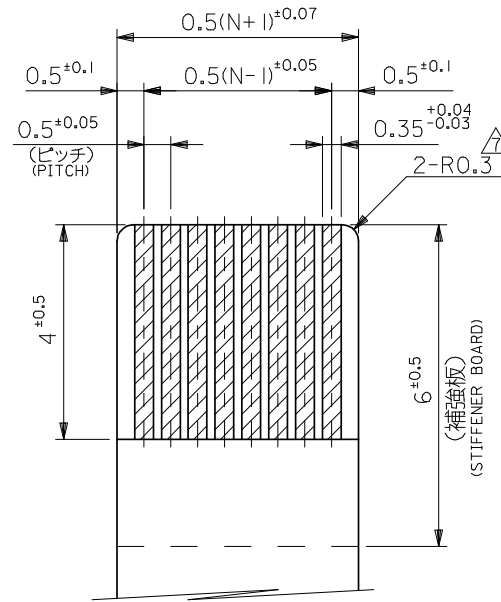
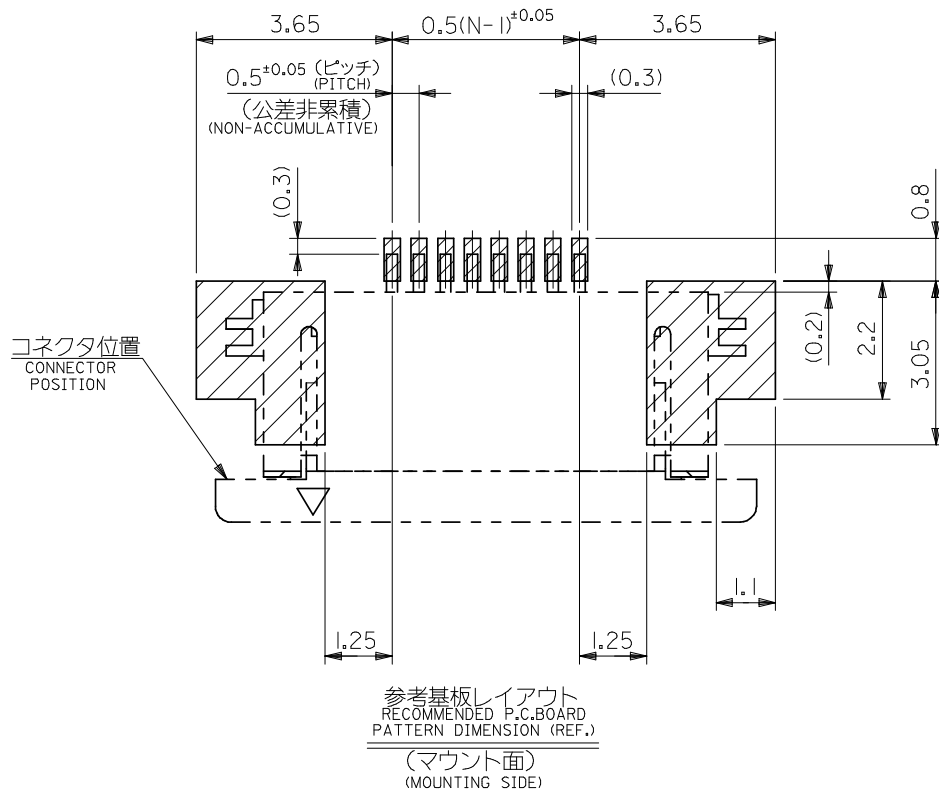
注記 NOTES

- 1. 使用材料 MATERIAL
 - ハウジング HOUSING : 46ナイロン, UL94V-0 46NYLON
 - アクチュエータ ACTUATOR : PPS, UL94V-0
 - ターミナル TERMINAL : リン青銅 (≒0.2), ニッケル下地 金メッキ PHOSHOR BRONZE, GOLD OVER NICKEL PLATING
 - 金具 FITTING NAIL : リン青銅 (≒0.2), ニッケル下地 錫メッキ PHOSHOR BRONZE, TIN OVER NICKEL PLATING
- 2. エンボステープ梱包時は、アクチュエータがロックした状態とす。 IN THE PACKAGE, ACTUATOR OF PART NO.52746-**39 SHOULD BE LOCKED.
- △ ソルダータール半田付け面のズレ量、及び金具半田付け面のズレ量は、基準面 H に対し、上方向 0.1MAX, 下方向 0.15MAX とす。 MISALIGNMENT OF SOLDER TAILS AND FITTING NAILS FROM H UPPER DIRECTION: 0.1 MAX., LOWER DIRECTION: 0.15MAX.
- △ 偶数極に適用。 APPLY FOR EVEN CIRCUIT.
- △ パターンはくり止め用金具 FITTING NAIL FOR PREVENTION OF PEELING OF P.C.B. PATTERN.
- 6. 本製品は 52746-**38の鉛フリー品です。 THIS PRODUCT IS LEAD FREE OF 52746-**38



21.1	19.3	15.65	14.5	52746-3071	52746-3039	30
20.6	18.8	15.15	14.0	52746-2971	52746-2939	29
20.1	18.3	14.65	13.5	52746-2871	52746-2839	28
19.6	17.8	14.15	13.0	52746-2771	52746-2739	27
19.1	17.3	13.65	12.5	52746-2671	52746-2639	26
18.6	16.8	13.15	12.0	52746-2571	52746-2539	25
18.1	16.3	12.65	11.5	52746-2471	52746-2439	24
17.6	15.8	12.15	11.0	52746-2371	52746-2339	23
17.1	15.3	11.65	10.5	52746-2271	52746-2239	22
16.6	14.8	11.15	10.0	52746-2171	52746-2139	21
16.1	14.3	10.65	9.5	52746-2071	52746-2039	20
15.6	13.8	10.15	9.0	52746-1971	52746-1939	19
15.1	13.3	9.65	8.5	52746-1871	52746-1839	18
14.6	12.8	9.15	8.0	52746-1771	52746-1739	17
14.1	12.3	8.65	7.5	52746-1671	52746-1639	16
13.6	11.8	8.15	7.0	52746-1571	52746-1539	15
13.1	11.3	7.65	6.5	52746-1471	52746-1439	14
12.6	10.8	7.15	6.0	52746-1371	52746-1339	13
12.1	10.3	6.65	5.5	52746-1271	52746-1239	12
11.6	9.8	6.15	5.0	52746-1171	52746-1139	11
11.1	9.3	5.65	4.5	52746-1071	52746-1039	10
10.6	8.8	5.15	4.0	52746-0971	52746-0939	9
10.1	8.3	4.65	3.5	52746-0871	52746-0839	8
9.6	7.8	4.15	3.0	52746-0771	52746-0739	7
9.1	7.3	3.65	2.5	52746-0671	52746-0639	6
8.1	6.3	2.65	1.5	52746-0471	52746-0439	4
D	C	B	(A)	EMBOSSD TAPE ORDER No. オーダー番号	MATERIAL NO.	極数 CIRCUITS

REVISED EC NO: J2008-4308 DRWN: MWABEI 2008/06/27 CH'KD: THARYAMA 2008/06/30 APPR: NUKITA 2008/06/30	GENERAL TOLERANCES (UNLESS SPECIFIED)		DIMENSION STYLE MM ONLY		SCALE ---	DESIGN UNITS METRIC	THIRD ANGLE PROJECTION		
	10 UNDER	±0.2	DRAWN BY HSHIMABUKURO		DATE '04/01/30	TITLE 0.5 FPC CONN ZIF FOR SMT R/A (BOTTOM CONTACT) -LEAD FREE-			
	10 OVER 30 UNDER	±0.25	CHECKED BY KTOJO		DATE '04/01/30				
	30 OVER	±0.3	APPROVED BY MSASAO		DATE '04/01/30	MOLEX INCORPORATED			
	ANGULAR ±3 °		MATERIAL NO.		DOCUMENT NO.				
DRAFT WHERE APPLICABLE MUST REMAIN WITHIN DIMENSIONS		SEE TABLE		SD-52746-025		SHEET NO. 1 OF 2			



注記 NOTES

△ R0.3は、FPCの導体部にかからないこと。
R0.3 MUST NOT BE OVERLAPPED TO PATTERN OF FPC.

FPCについて:

打抜き方向は導体側から補強板を推奨致します。
補強フィルム材質はポリイミドを推奨致します。
接着剤は熱硬化接着剤を推奨致します。

ABOUT FPC:

RECOMMENDED PUNCHER DIRECTION : FROM CONDUCTOR SIDE TO STIFFENER BOARD SIDE.

RECOMMENDED MATERIAL :

STIFFENER FILM : POLYIMIDE
BONDING AGENT : THERMOSETTING BONDING AGENT

REVISED EC NO: J2008-4308 DRWN: MWABEI 2008/06/27 CHKD: THARUYAMA 2008/06/30 APPR: NUKITA 2008/06/30	GENERAL TOLERANCES (UNLESS SPECIFIED)		DIMENSION STYLE MM ONLY		SCALE ---	52746-**39	MODEL NO.
	10 UNDER	±0.2	DRAWN BY HSHIMABUKURO	DATE '04/01/30	TITLE 0.5 FPC CONN ZIF FOR SMT R/A (BOTTOM CONTACT) -LEAD FREE-	DESIGN UNITS METRIC	THIRD ANGLE PROJECTION
	10 OVER 30 UNDER	±0.25	CHECKED BY KTOJO	DATE '04/01/30	MOLEX INCORPORATED	DOCUMENT NO. SD-52746-025	SHEET NO. 2 OF 2
	30 OVER	±0.3	APPROVED BY MSASAO	DATE '04/01/30			
	ANGULAR	±3 °	MATERIAL NO. SEE TABLE				
DRAFT WHERE APPLICABLE MUST REMAIN WITHIN DIMENSIONS		SIZE A3		THIS DRAWING CONTAINS INFORMATION THAT IS PROPRIETARY TO MOLEX INCORPORATED AND SHOULD NOT BE USED WITHOUT WRITTEN PERMISSION			