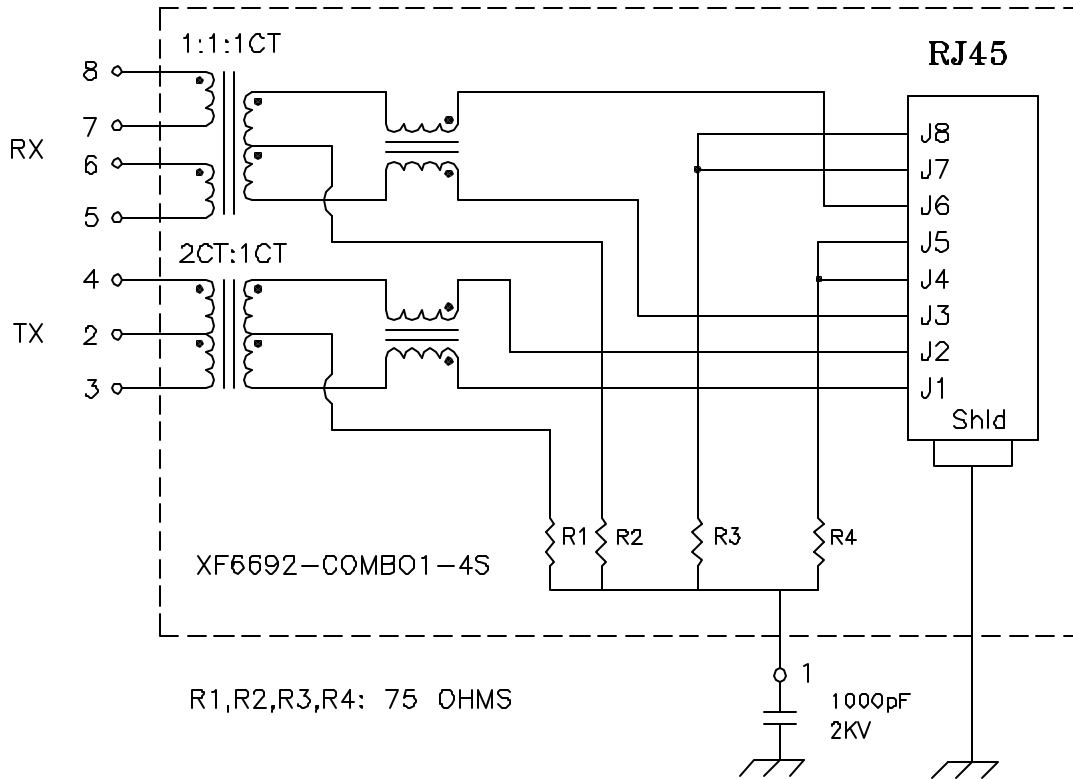


Schematic:



R1,R2,R3,R4: 75 OHMS

Electrical Specifications: @25°C

Turns Ratio: TX : 2CT:1CT ($\pm 2\%$) RX : 1:1:1CT ($\pm 2\%$)

Isolation Voltage: 1500 Vrms (Input to Output)

Isolation Voltage: 500 Vrms 5+6+7+8 to 2+3+4

J2-1 OCL: 350uH Minimum @100KHz,100mV, 8mA_{dc}

J6-3 OCL: 350uH Minimum @100KHz,100mV, 8mA_{dc}

Insertion Loss (1M-100MHz): -1.0dB Typical

Return Loss:

30MHz -16dB Typical

60MHz -12dB Typical

80MHz -10dB Typical

Crosstalk: -35dB Minimum @1MHz-100MHz

Notes:

1. Solderability: Leads shall meet MIL-STD-202G, Method 20BH for solderability.
2. Flammability: UL94V-0
3. ASTM oxygen index: > 28%
4. Insulation System: Class F 155°C, UL file E151556
5. Operating Temperature Range: All listed parameters are to be within tolerance from -40°C to +85°C
6. Storage Temperature Range: -55°C to +125°C
7. Aqueous wash compatible
8. Electrical and mechanical specifications 100% tested
9. RoHS Compliant Component

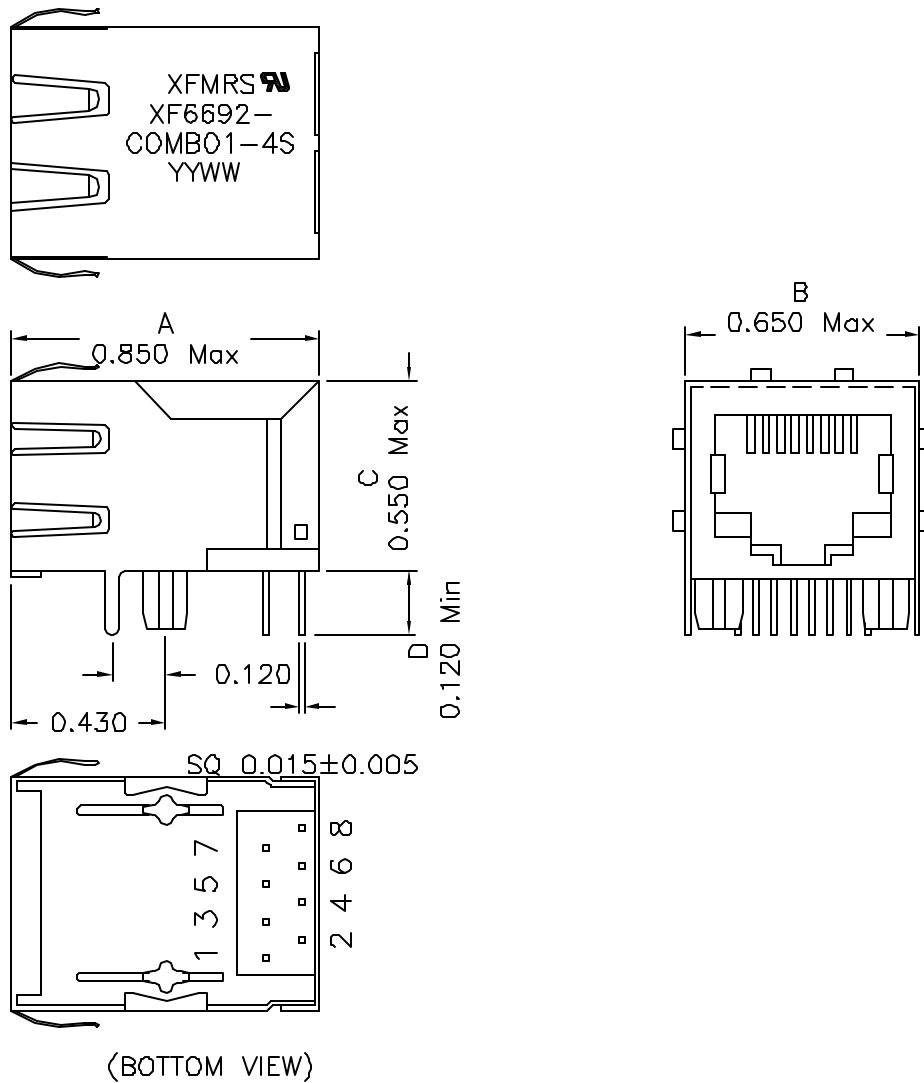
XFMRS Inc. www.XFMRS.com	Title: SINGLE PORT COMBO		
	P/N: XFB692-COMBO1-4S	REV. C	
UNLESS OTHERWISE SPECIFIED TOLERANCES: .xxx ± 0.010 Dimensions in Inch	DWN.	Juan Mao	Apr-24-06
	CHK.	YK Liao	Apr-24-06
SHEET 1 OF 2	APP.	BW	Apr-24-06

DOC. REV. C/2

PROPRIETARY:

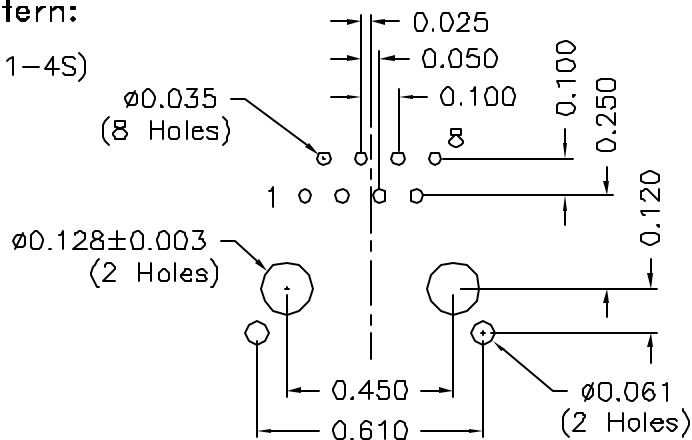
Document is the property of XFMRS Group & is not allowed to be duplicated without authorization.

Mechanical Dimensions:



Mounting Pattern:

(FOR COMBO1-4S)
(COMP SIDE)



XFMRS Inc. www.XFMRS.com	Title: Mechanical Dimensions For COMBO1-4S Series		
	UNLESS OTHERWISE SPECIFIED TOLERANCES: .xxx ±0.010 Dimensions in Inch	P/N: XF6692-COMBO1-4S	REV. C
DOC REV: C/2	SHEET 2 OF 2		

PROPRIETARY:

Document is the property of XFMRS Group & is not allowed to be duplicated without authorization.