

PLEASE CHECK WWW.MOLEX.COM FOR LATEST PART INFORMATION

Part Number: **0684261200**
Status: **Planned for Obsolescence**
Description: 2.50mm (.098") Pitch Wire-to-Board Housing, Positive Lock, with TPA™, 12 Circuits

Documents:

[Drawing \(PDF\)](#) [RoHS Certificate of Compliance \(PDF\)](#)
[Product Specification PS-68426-001 \(PDF\)](#)

General

Product Family Crimp Housings
 Series 68426
 Product Name N/A

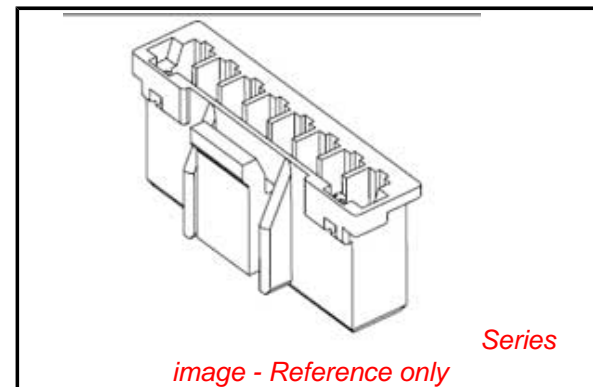
Physical

Circuits (maximum) 12
 Gender Female
 Glow-Wire Compliant No
 Lock to Mating Part Yes
 Number of Rows 1
 Packaging Type Bag
 Panel Mount No
 Pitch - Mating Interface (in) 0.098 In
 Pitch - Mating Interface (mm) 2.50 mm
 Polarized to Mating Part Yes
 Stackable No
 Temperature Range - Operating -40°C to +105°C

Material Info

Reference - Drawing Numbers

Product Specification PS-68426-001
 Sales Drawing SD-68426-001



EU RoHS

**ELV and RoHS
 Compliant**
**REACH SVHC
 Not Reviewed**
**Halogen-Free
 Status
 Not Reviewed**

China RoHS



**Need more information on product
 environmental compliance?**

Email productcompliance@molex.com
 For a multiple part number RoHS Certificate of
 Compliance, [click here](#)

Please visit the [Contact Us](#) section for any
 non-product compliance questions.

Search Parts in this Series

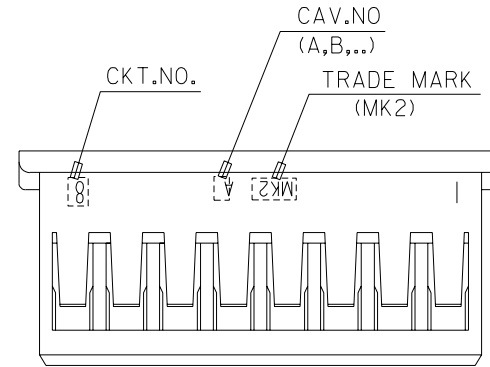
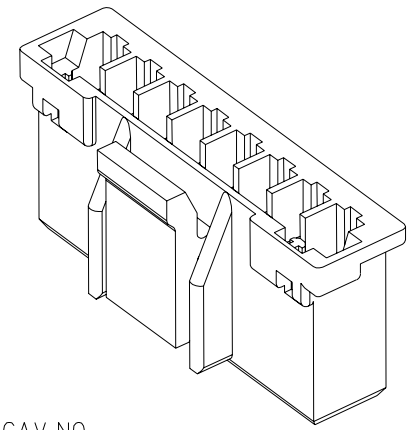
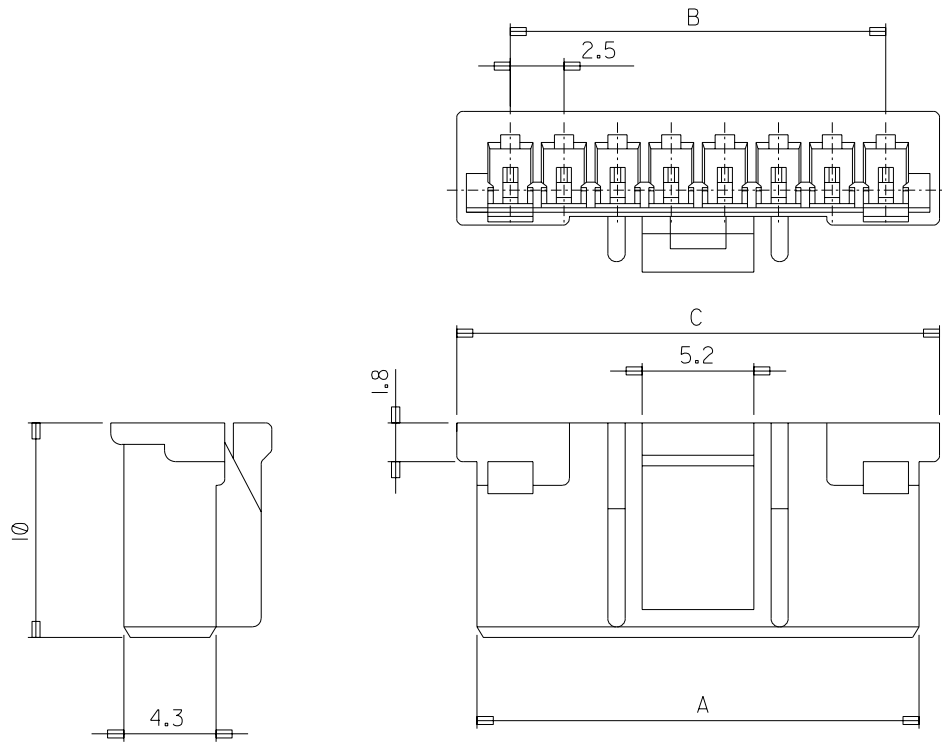
[68426Series](#)

Mates With

[35312 Header](#), [68143 High Wall Header](#)

Use With

[579158001 Terminal](#). [68427 TPA™](#)



NOTES

1. MATERIAL : POLYESTER, UL94V-0, WHITE(NATURAL) COLOR
2. APPLICABLE TERMINAL: 57915-8001
3. APPLICABLE TPA: 68427
4. MATED WITH 35312, 68143 HEADER ASS'Y

40.0	35.0	38.1	68426-1500
35.0	30.0	33.1	1300
32.5	27.5	30.6	1200
30.0	25.0	28.1	1100
27.5	22.5	25.6	1000
22.5	17.5	20.6	0800
12.5	7.5	10.6	68426-0400
C	B	A	ENG. NO.

NEW RELEASED
 KOR2003-0232
 W.Y.YANG 03/03/20
 W.Y.YANG
 C.W.LEE

0

0

25
 25

4:1 X

W.Y.YANG 03/01/20

W.Y.YANG 03/01/20

C.W.LEE 03/01/20

2.5 W/B CONN.(TPA) HOUSING