

**PLEASE CHECK WWW.MOLEX.COM FOR LATEST PART INFORMATION**

**Part Number:** [0359650204](#)  
**Status:** **Active**  
**Description:** 1.78mm (.070") Tab Multiple Wire-to-Wire Female Housing, 2 Circuits, Vertical, A-Type

**Documents:**

[Drawing \(PDF\)](#) [RoHS Certificate of Compliance \(PDF\)](#)  
[Product Specification PS-35180-002 \(PDF\)](#)

**General**

Product Family	Crimp Housings
Series	<a href="#">35965</a>
Product Name	N/A

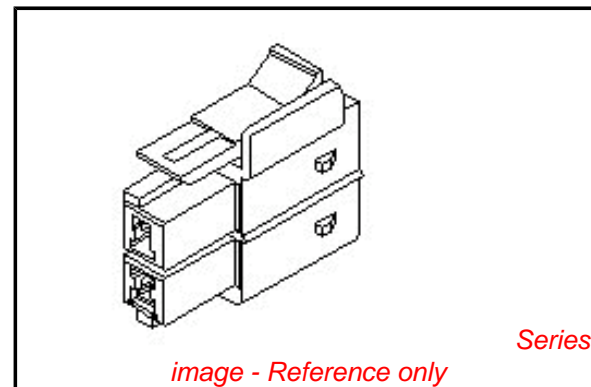
**Physical**

Circuits (maximum)	2
Gender	Female
Glow-Wire Compliant	No
Number of Rows	2
Packaging Type	Bag
Panel Mount	No
Pitch - Mating Interface (in)	0.315 In
Pitch - Mating Interface (mm)	8.00 mm
Stackable	No
Temperature Range - Operating	-40°C to +120°C

**Material Info**

**Reference - Drawing Numbers**

Product Specification	PS-35180-002
Sales Drawing	SD-35965-020*



*image - Reference only*

**EU RoHS**

**ELV and RoHS  
Compliant**  
**REACH SVHC**  
 Not Reviewed  
**Halogen-Free  
Status**  
 Not Reviewed

**China RoHS**



**Need more information on product  
environmental compliance?**

Email [productcompliance@molex.com](mailto:productcompliance@molex.com)  
 For a multiple part number RoHS Certificate of Compliance, [click here](#)

Please visit the [Contact Us](#) section for any non-product compliance questions.

**Search Parts in this Series**

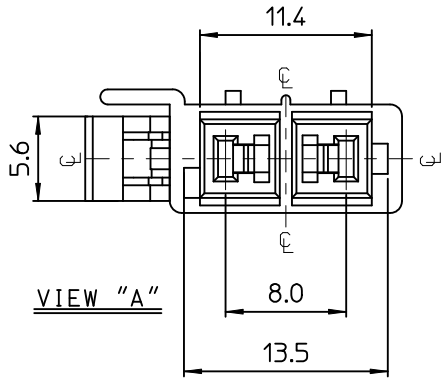
[35965Series](#)

**Mates With**

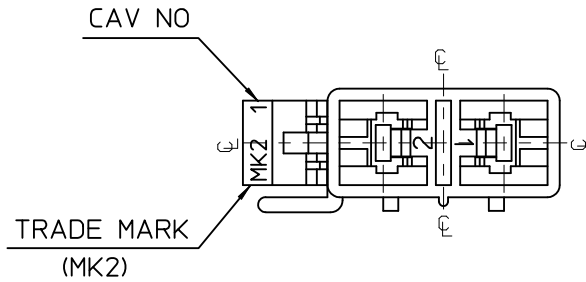
[35180](#)

**Use With**

[35746](#)

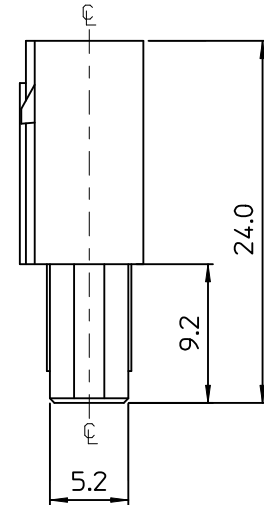
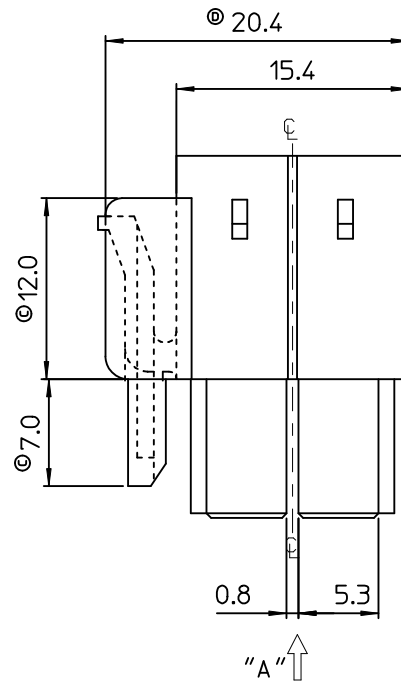
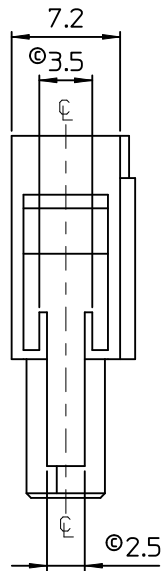


VIEW "A"



NOTES.

1. MATERIAL & COLOR : SEE TABLE
2. MATED HOUSING : 35180-040\*  
35180-060\*
3. APPLICABLE TERMINAL : 35746-0\*10
4. APPLICABLE T.P.A : 35965-029\*
5. PRODUCT SPECIFICATION : PS-35180-002



NO.	POLYESTER(PBT)		PC/PET(UL94V-0)	
	MATERIAL	COLOR	MATERIAL	COLOR
1	35965-0200	NATURAL	35965-9200	NATURAL
2	35965-0202	RED	35965-9202	RED
3	35965-0203	BLUE	35965-9203	YELLOW
4	35965-0204	BLUE	35965-9204	BLUE

REVISED	EC NO: KOR2010-0186	QUALITY SYMBOLS
	DRWN: JHPARK01 2010/05/17	▽=0
	CHKD: SHCHU 2010/05/17	▽=0
	APPR: YOUNG IKKIM 2010/05/18	
REV	DESCRIPTION	

GENERAL TOLERANCES (UNLESS SPECIFIED)		
	mm	INCH
4 PLACES	± ---	± ---
3 PLACES	± ---	± ---
2 PLACES	± ---	± ---
1 PLACE	± 0.3	± ---
ANGULAR ± 1 °		
DRAFT WHERE APPLICABLE MUST REMAIN WITHIN DIMENSIONS		

DIMENSION STYLE	
MM ONLY	
DRAWN BY	DATE
JS. KANG	1995/09/28
CHECKED BY	DATE
BK. CHOI	1995/09/28
APPROVED BY	DATE
CW. LEE	1995/09/28
MATERIAL NO.	
SEE TABLE	
SIZE	
A3	

SCALE	DESIGN UNITS	THIRD ANGLE PROJECTION
3:1	METRIC	
TITLE		
070 MULTI FEMALE HSG 2P(A)		
MOLEX INCORPORATED		
MATERIAL NO.	DOCUMENT NO.	SHEET NO.
SEE TABLE	SD-35965-020*	1 OF 01
THIS DRAWING CONTAINS INFORMATION THAT IS PROPRIETARY TO MOLEX INCORPORATED AND SHOULD NOT BE USED WITHOUT WRITTEN PERMISSION		