

**PLEASE CHECK WWW.MOLEX.COM FOR LATEST PART INFORMATION**

**Part Number:** **0194190015**  
**Status:** **Active**  
**Overview:** mx150l sealed connector system  
**Description:** MX150L™ 10 Circuit Plug for 18-22 AWG Wire

**Documents:**

[3D Model](#) [Product Specification PS-19417-001 \(PDF\)](#)  
[Drawing \(PDF\)](#) [RoHS Certificate of Compliance \(PDF\)](#)

**Agency Certification**

CSA LR18689  
 UL E152602

**General**

Product Family Crimp Housings  
 Series 19419  
 Overview mx150l sealed connector system  
 Product Literature Order No 987650-2181  
 Product Name MX150L™

**Physical**

Circuits (maximum) 10  
 Flammability 94V-0  
 Gender Male  
 Glow-Wire Compliant No  
 Lock to Mating Part Yes  
 Number of Rows 2  
 Packaging Type Bag  
 Panel Mount No  
 Pitch - Mating Interface (in) 0.230 In  
 Pitch - Mating Interface (mm) 5.84 mm  
 Polarized to Mating Part Yes  
 Stackable No  
 Temperature Range - Operating -40°C to +125°C

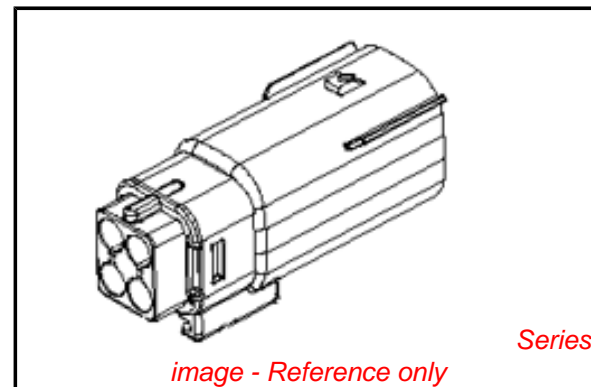
**Electrical**

Current - Maximum per Contact 18A

**Material Info**

**Reference - Drawing Numbers**

Application Specification AS-19417-001  
 Packaging Specification PK-19419-001  
 Product Specification PS-19417-001  
 Sales Drawing SD-19419-005



**EU RoHS**

**ELV and RoHS  
 Compliant**  
**REACH SVHC**  
 Not Reviewed  
**Halogen-Free  
 Status**  
**Not Reviewed**

**China RoHS**



**Need more information on product  
 environmental compliance?**

Email [productcompliance@molex.com](mailto:productcompliance@molex.com)  
 For a multiple part number RoHS Certificate of  
 Compliance, [click here](#)

Please visit the [Contact Us](#) section for any  
 non-product compliance questions.

**Search Parts in this Series**

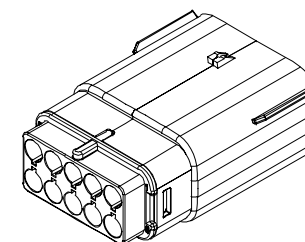
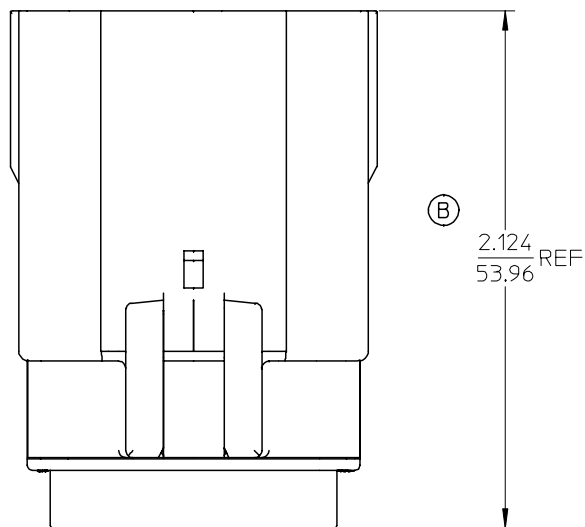
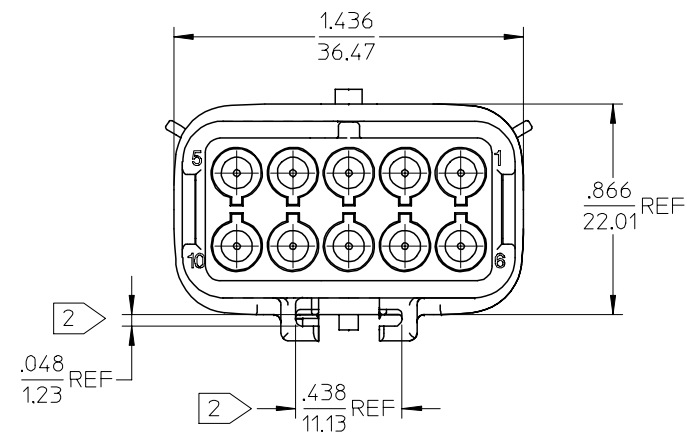
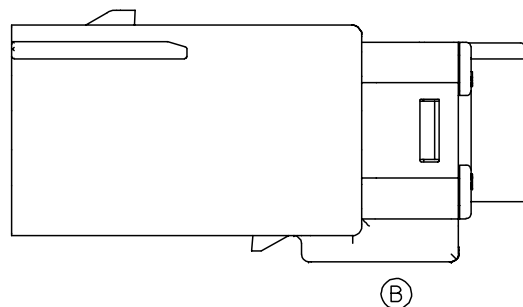
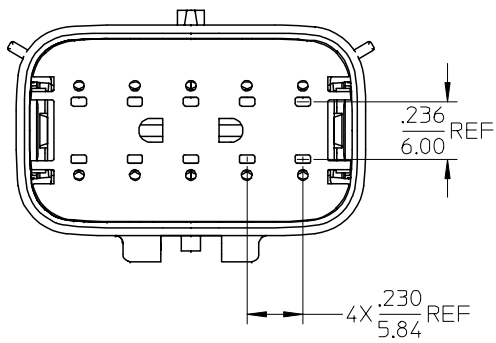
[19419Series](#)

**Mates With**

[19418 Receptacle Assemblies](#)

**Use With**

[19417 Male Crimp Terminals](#)



ASSEMBLED VIEW  
SCALE 1:1

NOTES:

1. ASSEMBLY BULK PACKAGED PER PK-19419-001
2. MOUNTING SLOT DIMENSIONS.
3. USE CONNECTOR WITH MALE CRIMP TERMINAL: SERIES 19417.

194190014	10	16-14
194190015	10	22-18
MATERIAL NUMBER	CIRCUIT SIZE	UL WIRE AWG

EC NO: ETC2004-0202 DRWN:DMYRICK 2004/06/03 CHKD:JPAWLIC 2004/06/03 APPR:JPAWLIC 2004/06/03	QUALITY SYMBOLS	GENERAL TOLERANCES (UNLESS SPECIFIED)		SCALE 2:1	DESIGN UNITS INCH	THIRD ANGLE PROJECTION	REVISE ON CAD ONLY	
	DESCRIPTION ▼ = 0 ▽ = 0	4 PLACES	mm	INCH	DIMENSION STYLE IN/MM		TITLE 10 WAY PLUG ASSEMBLY	
		3 PLACES	± ---	± ---	DRAWN BY B.RUPERT	DATE 01/17/03	MATERIAL NO. SEE CHART	
		2 PLACES	± 0.13	± .01	CHECKED BY J.PAWLIC	DATE 01/20/03	DOCUMENT NO. SD-19419-005	SHEET NO. 1 OF 1
	1 PLACE	± 0.25	± ---	APPROVED BY R.DEROSS	DATE 01/20/03	MATERIAL NO. SEE CHART		
		ANGULAR ±1/2°		MATERIAL NO. SEE CHART				
		DRAFT WHERE APPLICABLE		MATERIAL NO. SEE CHART				
		MUST REMAIN WITHIN DIMENSIONS		MATERIAL NO. SEE CHART				
				THIS DRAWING CONTAINS INFORMATION THAT IS PROPRIETARY TO MOLEX INCORPORATED AND SHOULD NOT BE USED WITHOUT WRITTEN PERMISSION				