

To all our customers

---

## **Regarding the change of names mentioned in the document, such as Mitsubishi Electric and Mitsubishi XX, to Renesas Technology Corp.**

---

The semiconductor operations of Hitachi and Mitsubishi Electric were transferred to Renesas Technology Corporation on April 1st 2003. These operations include microcomputer, logic, analog and discrete devices, and memory chips other than DRAMs (flash memory, SRAMs etc.) Accordingly, although Mitsubishi Electric, Mitsubishi Electric Corporation, Mitsubishi Semiconductors, and other Mitsubishi brand names are mentioned in the document, these names have in fact all been changed to Renesas Technology Corp. Thank you for your understanding. Except for our corporate trademark, logo and corporate statement, no changes whatsoever have been made to the contents of the document, and these changes do not constitute any alteration to the contents of the document itself.

Note : Mitsubishi Electric will continue the business operations of high frequency & optical devices and power devices.

Renesas Technology Corp.  
Customer Support Dept.  
April 1, 2003

# MITSUBISHI MICROCOMPUTERS

## M37221M6-XXXSP

SINGLE-CHIP 8-BIT CMOS MICROCOMPUTER for VOLTAGE SYNTHESIZER  
with ON-SCREEN DISPLAY CONTROLLER

### DESCRIPTION

The M37221M6-XXXSP is a single-chip microcomputer designed with CMOS silicon gate technology. It is housed in a 42-pin shrink plastic molded DIP.

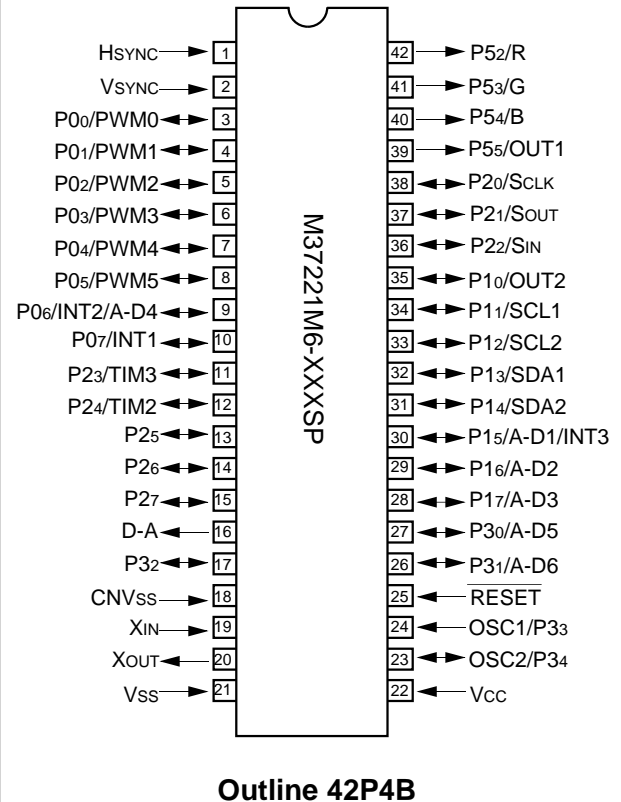
In addition to their simple instruction sets, the ROM, RAM and I/O addresses are placed on the same memory map to enable easy programming.

The M37221M6-XXXSP has a PWM output function and a OSD display function, so it is useful for a channel selection system for TV.

### FEATURES

- Number of basic instructions ..... 71
- Memory size
  - ROM ..... 24 K bytes
  - RAM ..... 384 bytes
  - ROM for display ..... 8 K bytes
  - RAM for display ..... 96 bytes
- The minimum instruction execution time  
..... 0.5 $\mu$ s (at 8 MHz oscillation frequency)
- Power source voltage ..... 5 V  $\pm$  10 %
- Power dissipation ..... 165 mW  
(at 8 MHz oscillation frequency, V<sub>CC</sub>=5.5V, at CRT display)
- Subroutine nesting ..... 96 levels (maximum)
- Interrupts ..... 14 types, 14 vectors
- 8-bit timers ..... 4
- Programmable I/O ports (Ports P0, P1, P2, P30–P32) ..... 27
- Input ports (Ports P33, P34) ..... 2
- Output ports (Ports P52–P55) ..... 4
- 12 V withstand ports ..... 6
- LED drive ports ..... 4
- Serial I/O ..... 8-bit  $\times$  1 channel
- Multi-master I<sup>2</sup>C-BUS interface ..... 1 (2 systems)
- A-D comparator (6-bit resolution) ..... 6 channels
- PWM output circuit ..... 14-bit  $\times$  1, 8-bit  $\times$  6

### PIN CONFIGURATION (TOP VIEW)



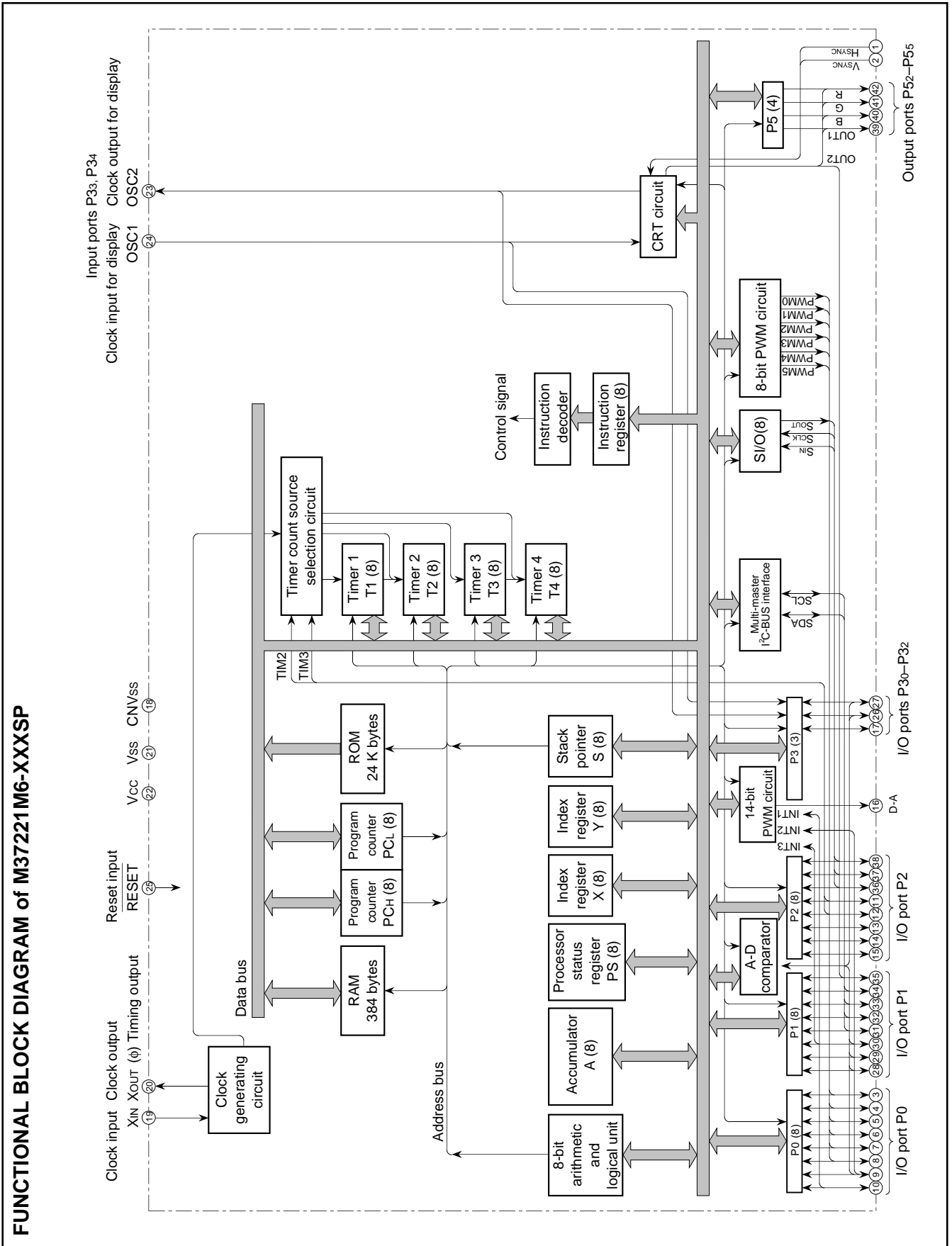
- CRT display function
  - Number of display characters ..... 24 characters  $\times$  2 lines  
(16 lines maximum)
  - Kinds of characters ..... 256 kinds
  - Dot structure ..... 12  $\times$  16 dots
  - Kinds of character sizes ..... 3 kinds
  - Kinds of character colors (It can be specified by the character)  
maximum 7 kinds (R, G, B)
  - Kinds of character background colors (It can be specified by the character)  
maximum 7 kinds (R, G, B)
  - Kinds of raster colors (maximum 7 kinds)
  - Display position
    - Horizontal ..... 64 levels
    - Vertical ..... 128 levels
  - Bordering (horizontal and vertical)

### APPLICATION

TV

**M37221M6-XXXSP**

SINGLE-CHIP 8-BIT CMOS MICROCOMPUTER for VOLTAGE SYNTHESIZER  
with ON-SCREEN DISPLAY CONTROLLER



# M37221M6-XXXSP

SINGLE-CHIP 8-BIT CMOS MICROCOMPUTER for VOLTAGE SYNTHESIZER  
with ON-SCREEN DISPLAY CONTROLLER

## FUNCTIONS

Parameter		Functions	
Number of basic instructions		71	
Instruction execution time		0.5 $\mu$ s (the minimum instruction execution time, at 8 MHz oscillation frequency)	
Clock frequency		8 MHz (maximum)	
Memory size	ROM	24 K bytes	
	RAM	384 bytes	
	CRT ROM	8 K bytes	
	CRT RAM	96 bytes	
Input/Output ports	P0	I/O	8-bit X 1 (N-channel open-drain output structure, can be used as PWM output pins, INT input pins, A-D input pin)
	P10, P15–P17	I/O	4-bit X 1 (CMOS input/output structure, can be used as CRT output pin, A-D input pins, INT input pin)
	P11–P14	I/O	4-bit X 1 (CMOS input/output or N-channel open-drain output structure, can be used as multi-master I <sup>2</sup> C-BUS interface)
	P20, P21	I/O	2-bit X 1 (CMOS input/output or N-channel open-drain output structure, can be used as serial output pins)
	P22–P27	I/O	6-bit X 1 (CMOS input/output structure, can be used as serial input pin, external clock input pins)
	P30, P31	I/O	2-bit X 1 (CMOS input/output or N-channel open-drain output structure, can be used as A-D input pins)
	P32	I/O	1-bit X 1 (N-channel open-drain output structure)
	P33, P34	Input	2-bit X 1 (can be used as CRT display clock I/O pins)
	P52–P55	Output	4-bit X 1 (CMOS output structure, can be used as CRT output pins)
Serial I/O		8-bit X 1	
Multi-master I <sup>2</sup> C-BUS interface		1 (2 systems)	
A-D comparator		6 channels (6-bit resolution)	
PWM output circuit		14-bit X 1, 8-bit X 6	
Timers		8-bit timer X 4	
Subroutine nesting		96 levels (maximum)	
Interrupt		External interrupt X 3, Internal timer interrupt X 4, Serial I/O interrupt X 1, CRT interrupt X 1, Multi-master I <sup>2</sup> C-BUS interface interrupt X 1, f(XIN)/4096 interrupt X 1, VSYNC interrupt X 1, BRK interrupt X 1	
Clock generating circuit		2 built-in circuits (externally connected a ceramic resonator or a quartz-crystal oscillator)	
Power source voltage		5 V $\pm$ 10 %	
Power dissipation	CRT ON	165 mW typ. (at oscillation frequency f <sub>CPU</sub> = 8 MHz, f <sub>CRT</sub> = 8 MHz)	
	CRT OFF	110 mW typ. (at oscillation frequency f <sub>CPU</sub> = 8 MHz)	
	In stop mode	1.65 mW (maximum)	
Operating temperature range		–10 °C to 70 °C	
Device structure		CMOS silicon gate process	
Package		42-pin shrink plastic molded DIP	
CRT display function	Number of display characters	24 characters X 2 lines (maximum 16 lines by software)	
	Dot structure	12 X 16 dots	
	Kinds of characters	256 kinds	
	Kinds of character sizes	3 kinds	
	Kinds of character colors	Maximum 7 kinds (R, G, B); can be specified by the character	
	Display position (horizontal, vertical)	64 levels (horizontal) X 128 levels (vertical)	

**M37221M6-XXXSP**

SINGLE-CHIP 8-BIT CMOS MICROCOMPUTER for VOLTAGE SYNTHESIZER  
with ON-SCREEN DISPLAY CONTROLLER

**PIN DESCRIPTION**

Pin	Name	Input/ Output	Functions
Vcc, Vss.	Power source		Apply voltage of 5 V ± 10 % (typical) to Vcc, and 0 V to Vss.
CNVss	CNVss		This is connected to Vss.
RESET	Reset input	Input	To enter the reset state, the reset input pin must be kept at a "L" for 2 μs or more (under normal Vcc conditions). If more time is needed for the quartz-crystal oscillator to stabilize, this "L" condition should be maintained for the required time.
XIN	Clock input	Input	This chip has an internal clock generating circuit. To control generating frequency, an external ceramic resonator or a quartz-crystal oscillator is connected between pins XIN and XOUT. If an external clock is used, the clock source should be connected to the XIN pin and the XOUT pin should be left open.
XOUT	Clock output	Output	
P00/PWM0– P05/PWM5, P06/INT2/ A-D4, P07/INT1	I/O port P0	I/O	Port P0 is an 8-bit I/O port with direction register allowing each I/O bit to be individually programmed as input or output. At reset, this port is set to input mode. The output structure is N-channel open-drain output. The note out of this Table gives a full of port P0 function.
	PWM output	Output	Pins P00–P05 are also used as PWM output pins PWM0–PWM5 respectively. The output structure is N-channel open-drain output.
	External interrupt input	Input	Pins P06 , P07 are also used as external interrupt input pins INT2, INT1 respectively.
	Analog input	Input	P06 pin is also used as analog input pin A-D4.
P10/OUT2, P11/SCL1, P12/SCL2, P13/SDA1, P14/SDA2, P15/A-D1/ INT3, P16/A-D2, P17/A-D3	I/O port P1	I/O	Port P1 is an 8-bit I/O port and has basically the same functions as port P0. The output structure is CMOS output.
	CRT output	Output	Pins P10 is also used as CRT output pin OUT2. The output structure is CMOS output.
	Multi-master I <sup>2</sup> C-BUS interface	I/O	Pins P11–P14 are used as SCL1, SCL2, SDA1 and SDA2 respectively, when multi-master I <sup>2</sup> C-BUS interface is used. The output structure is N-channel open-drain output.
	Analog input	Input	Pins P15–P17 are also used as analog input pins A-D1 to A-D3 respectively.
	External interrupt input	Input	P15 pin is also used as external interrupt input pin INT3.
P20/SCLK, P21/SOUT, P22/SIN, P23/TIM3, P24/TIM2, P25–P27	I/O port P2	I/O	Port P2 is an 8-bit I/O port and has basically the same functions as port P0. The output structure is CMOS output.
	External clock input	Input	Pins P23, P24 are also used as external clock input pins TIM3, TIM2 respectively.
	Serial I/O synchronizing clock input/output	I/O	P20 pin is also used as serial I/O synchronizing clock input/output pin SCLK.
	Serial I/O data input/output	I/O	Pins P21, P22 are also used as serial I/O data input/output pins SOUT, SIN respectively. The output structure is N-channel open-drain output.
P30/A-D5, P31/A-D6, P32	I/O port P3	I/O	Ports P30–P32 are a 3-bit I/O port and has basically the same functions as port P0. Either CMOS output or N-channel open-drain output structure can be selected as the port P30 and P31. The output structure of port P32 is N-channel open-drain output.
	Analog input	Input	Pins P30, P31 are also used as analog input pins A-D5, A-D6 respectively.
P33/OSC1, P34/OSC2	Input port P3	Input	Ports P33, P34 are a 2-bit input port.
	Clock input for CRT display	Input	P33 pin is also used as CRT display clock input pin OSC1.
	Clock output for CRT display	Output	P34 pin is also used as CRT display clock output pin OSC2. The output structure is CMOS output.

**PIN DESCRIPTION (continued)**

P52/R, P53/G, P54/B, P55/OUT1	Output port P5	Output	Ports P52–P55 are a 4-bit output port. The output structure is CMOS output.
	CRT output	Output	Pins P52–P55 are also used as CRT output pins R, G, B, OUT1 respectively. The output structure is CMOS output.
H <sub>SYNC</sub>	H <sub>SYNC</sub> input	Input	This is a horizontal synchronizing signal input for CRT.
V <sub>SYNC</sub>	V <sub>SYNC</sub> input	Input	This is a vertical synchronizing signal input for CRT.
D-A	DA output	Output	This is a 14-bit PWM output pin.

**Note :** As shown in the memory map (Figure 3), port P0 is accessed as a memory at address 00C0<sub>16</sub> of zero page. Port P0 has the port P0 direction register (address 00C1<sub>16</sub> of zero page) which can be used to program each bit as an input (“0”) or an output (“1”). The pins programmed as “1” in the direction register are output pins. When pins are programmed as “0,” they are input pins. When pins are programmed as output pins, the output data are written into the port latch and then output. When data is read from the output pins, the output pin level is not read but the data of the port latch is read. This allows a previously-output value to be read correctly even if the output “L” voltage has risen, for example, because a light emitting diode was directly driven. The input pins are in the floating state, so the values of the pins can be read. When data is written into the input pin, it is written only into the port latch, while the pin remains in the floating state.

SINGLE-CHIP 8-BIT CMOS MICROCOMPUTER for VOLTAGE SYNTHESIZER  
with ON-SCREEN DISPLAY CONTROLLER

**FUNCTIONAL DESCRIPTION**  
**Central Processing Unit (CPU)**

The M37221M6-XXXSP uses the standard 740 family instruction set. Refer to the table of 740 family addressing modes and machine instructions or the SERIES 740 <Software> User's Manual for details on the instruction set.

Machine-resident 740 family instructions are as follows:

The FST, SLW instruction cannot be used.

The MUL, DIV, WIT and STP instruction can be used.

**CPU Mode Register**

The CPU mode register contains the stack page selection bit. The CPU mode register is allocated at address 00FB<sub>16</sub>.

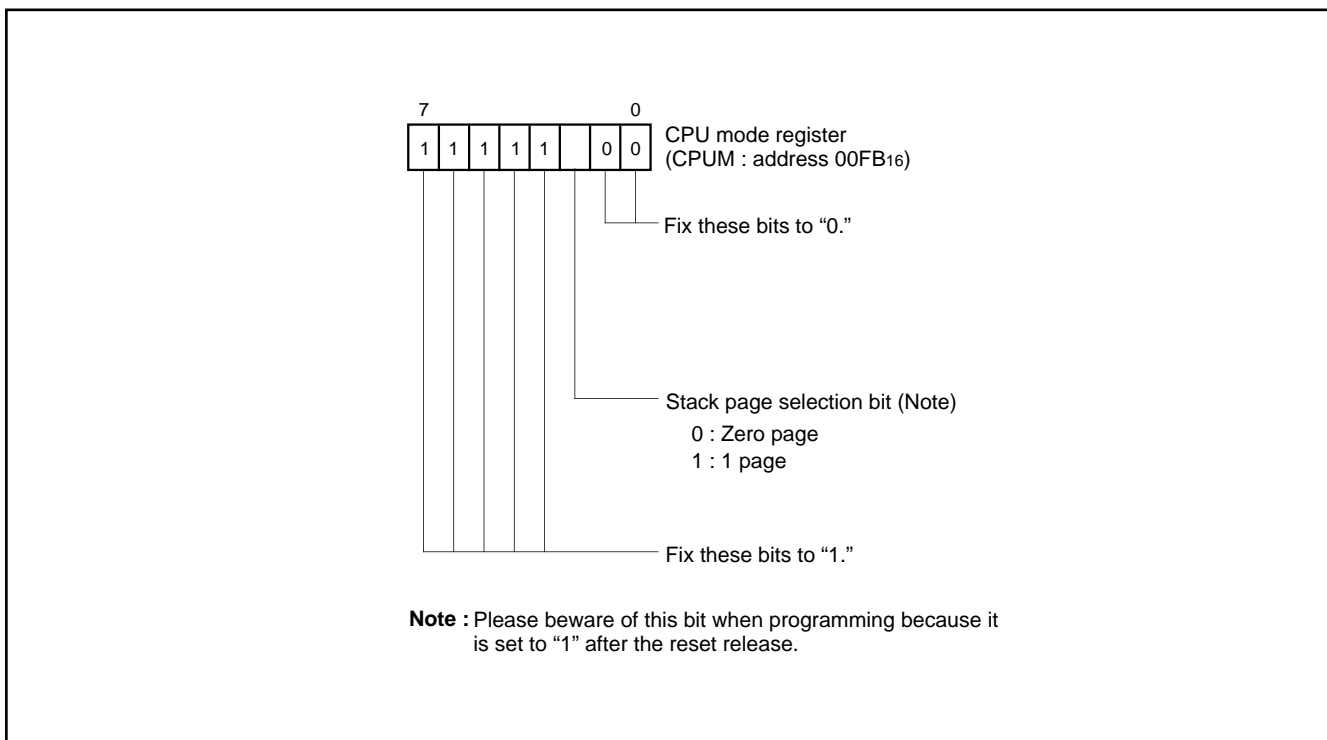


Fig. 1. Structure of CPU mode register

**MEMORY**

**Special Function Register (SFR) Area**

The special function register (SFR) area in the zero page contains control registers such as I/O ports and timers.

**RAM**

RAM is used for data storage and for stack area of subroutine calls and interrupts.

**ROM**

ROM is used for storing user programs as well as the interrupt vector area.

**RAM for Display**

RAM for display is used for specifying the character codes and colors to display.

**ROM for Display**

ROM for display is used for storing character data.

**Interrupt Vector Area**

The interrupt vector area contains reset and interrupt vectors.

**Zero Page**

The 256 bytes from addresses 0000<sub>16</sub> to 00FF<sub>16</sub> are called the zero page area. The internal RAM and the special function registers (SFR) are allocated to this area.

The zero page addressing mode can be used to specify memory and register addresses in the zero page area. Access to this area with only 2 bytes is possible in the zero page addressing mode.

**Special Page**

The 256 bytes from addresses FF00<sub>16</sub> to FFFF<sub>16</sub> are called the special page area. The special page addressing mode can be used to specify memory addresses in the special page area. Access to this area with only 2 bytes is possible in the special page addressing mode.

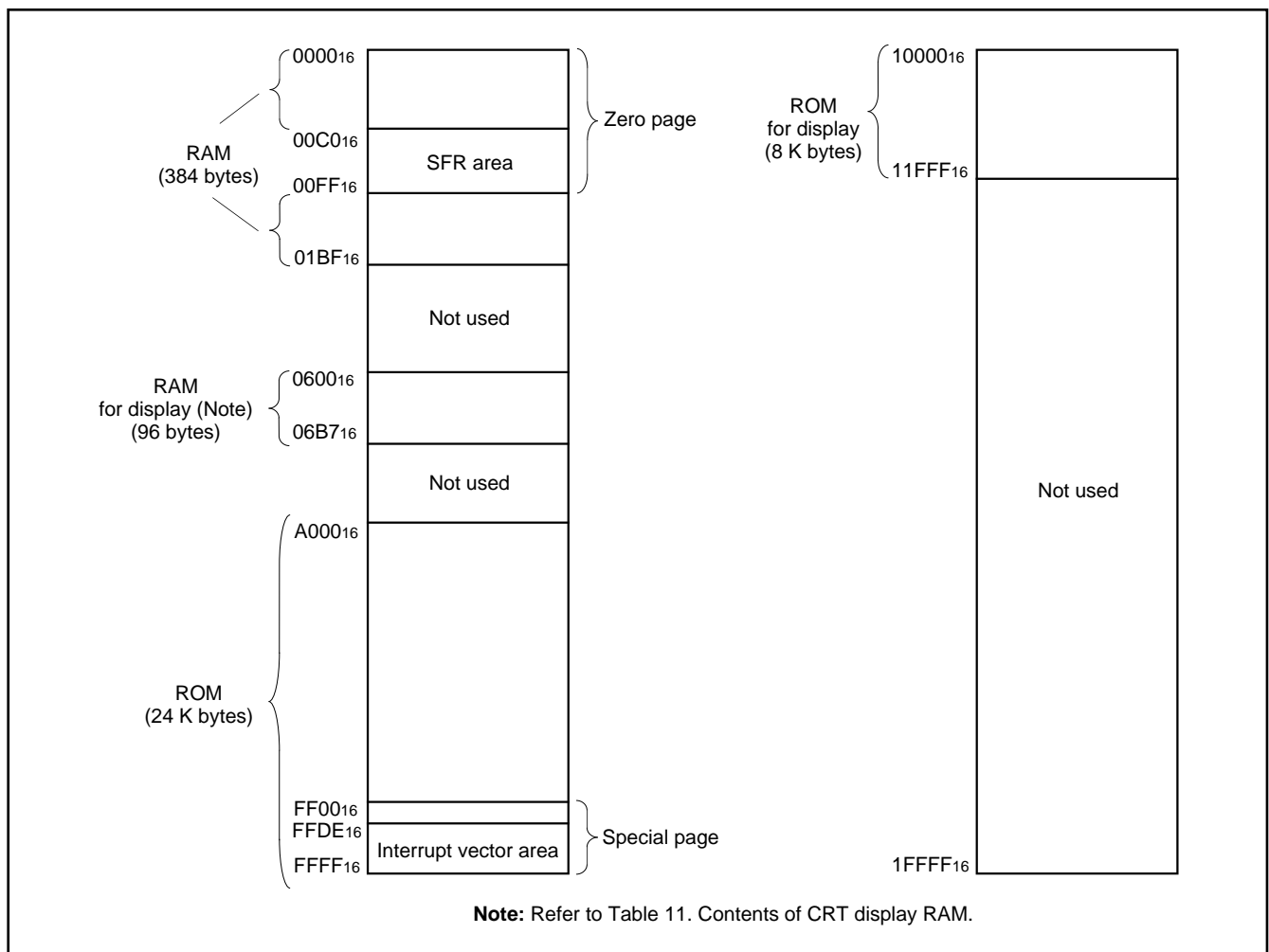


Fig. 2. Memory map



**M37221M6-XXXSP**

SINGLE-CHIP 8-BIT CMOS MICROCOMPUTER for VOLTAGE SYNTHESIZER  
with ON-SCREEN DISPLAY CONTROLLER

00C0 <sub>16</sub>	Port P0	00E0 <sub>16</sub>	Horizontal position register
00C1 <sub>16</sub>	Port P0 direction register	00E1 <sub>16</sub>	Vertical position register 1
00C2 <sub>16</sub>	Port P1	00E2 <sub>16</sub>	Vertical position register 2
00C3 <sub>16</sub>	Port P1 direction register	00E3 <sub>16</sub>	
00C4 <sub>16</sub>	Port P2	00E4 <sub>16</sub>	Character size register
00C5 <sub>16</sub>	Port P2 direction register	00E5 <sub>16</sub>	Border selection register
00C6 <sub>16</sub>	Port P3	00E6 <sub>16</sub>	Color register 0
00C7 <sub>16</sub>	Port P3 direction register	00E7 <sub>16</sub>	Color register 1
00C8 <sub>16</sub>		00E8 <sub>16</sub>	Color register 2
00C9 <sub>16</sub>		00E9 <sub>16</sub>	Color register 3
00CA <sub>16</sub>	Port P5	00EA <sub>16</sub>	CRT control register
00CB <sub>16</sub>	Port P5 direction register	00EB <sub>16</sub>	
00CC <sub>16</sub>		00EC <sub>16</sub>	CRT port control register
00CD <sub>16</sub>	Port P3 output mode control register	00ED <sub>16</sub>	CRT clock selection register
00CE <sub>16</sub>	DA-H register	00EE <sub>16</sub>	A-D control register 1
00CF <sub>16</sub>	DA-L register	00EF <sub>16</sub>	A-D control register 2
00D0 <sub>16</sub>	PWM0 register	00F0 <sub>16</sub>	Timer 1
00D1 <sub>16</sub>	PWM1 register	00F1 <sub>16</sub>	Timer 2
00D2 <sub>16</sub>	PWM2 register	00F2 <sub>16</sub>	Timer 3
00D3 <sub>16</sub>	PWM3 register	00F3 <sub>16</sub>	Timer 4
00D4 <sub>16</sub>	PWM4 register	00F4 <sub>16</sub>	Timer 12 mode register
00D5 <sub>16</sub>	PWM output control register 1	00F5 <sub>16</sub>	Timer 34 mode register
00D6 <sub>16</sub>	PWM output control register 2	00F6 <sub>16</sub>	PWM5 register
00D7 <sub>16</sub>	I <sup>2</sup> C data shift register	00F7 <sub>16</sub>	
00D8 <sub>16</sub>	I <sup>2</sup> C address register	00F8 <sub>16</sub>	
00D9 <sub>16</sub>	I <sup>2</sup> C status register	00F9 <sub>16</sub>	Interrupt input polarity register
00DA <sub>16</sub>	I <sup>2</sup> C control register	00FA <sub>16</sub>	
00DB <sub>16</sub>	I <sup>2</sup> C clock control register	00FB <sub>16</sub>	CPU mode register
00DC <sub>16</sub>	Serial I/O mode register	00FC <sub>16</sub>	Interrupt request register 1
00DD <sub>16</sub>	Serial I/O register	00FD <sub>16</sub>	Interrupt request register 2
00DE <sub>16</sub>		00FE <sub>16</sub>	Interrupt control register 1
00DF <sub>16</sub>		00FF <sub>16</sub>	Interrupt control register 2

Fig. 3. Memory map of special function register (SFR)

**INTERRUPTS**

Interrupts can be caused by 14 different sources consisting of 4 external, 8 internal, 1 software, and reset. Interrupts are vectored interrupts with priorities shown in Table 1. Reset is also included in the table because its operation is similar to an interrupt.

When an interrupt is accepted,

- (1) The contents of the program counter and processor status register are automatically stored into the stack.
- (2) The interrupt disable flag I is set to "1" and the corresponding interrupt request bit is set to "0."
- (3) The jump destination address stored in the vector address enters the program counter.

Other interrupts are disabled when the interrupt disable flag is set to "1."

All interrupts except the BRK instruction interrupt have an interrupt request bit and an interrupt enable bit. The interrupt request bits are in interrupt request registers 1 and 2 and the interrupt enable bits are in interrupt control registers 1 and 2. Figure 4 shows the structure of the interrupt-related registers.

Interrupts other than the BRK instruction interrupt and reset are accepted when the interrupt enable bit is "1," interrupt request bit is "1," and the interrupt disable flag is "0." The interrupt request bit can be set to "0" by a program, but not set to "1." The interrupt enable bit can be set to "0" and "1" by a program.

Reset is treated as a non-maskable interrupt with the highest priority. Figure 5 shows interrupt control.

**Interrupt Causes**

- (1) VSYNC and CRT interrupts  
The VSYNC interrupt is an interrupt request synchronized with the vertical sync signal.  
The CRT interrupt occurs after character block display to the CRT is completed.
- (2) INT1, INT2, INT3 interrupts  
With an external interrupt input, the system detects that the level of a pin changes from "L" to "H" or from "H" to "L," and generates an interrupt request. The input active edge can be selected by bits 3, 4 and 5 of the interrupt input polarity register (address 00F916) : when this bit is "0," a change from "L" to "H" is detected; when it is "1," a change from "H" to "L" is detected. Note that all bits are cleared to "0" at reset.
- (3) Timer 1, 2, 3 and 4 interrupts  
An interrupt is generated by an overflow of timer 1, 2, 3 or 4.
- (4) Serial I/O interrupt  
This is an interrupt request from the clock synchronous serial I/O function.
- (5) f(XIN)/4096 interrupt  
This interrupt occurs regularly with a f(XIN)/4096 period. Set bit 0 of the PWM output control register 1 to "0."
- (6) Multi-master I<sup>2</sup>C-BUS interface interrupt  
This is an interrupt request related to the multimaster I<sup>2</sup>C-BUS interface.
- (7) BRK instruction interrupt  
This software interrupt has the least significant priority. It does not have a corresponding interrupt enable bit, and it is not affected by the interrupt disable flag I (non-maskable).

Table 1. Interrupt vector addresses and priority

Interrupt source	Priority	Vector addresses	Remarks
Reset	1	FFFF16, FFFE16	Non-maskable
CRT interrupt	2	FFFD16, FFFC16	
INT2 interrupt	3	FFFB16, FFFA16	Active edge selectable
INT1 interrupt	4	FFF916, FFF816	Active edge selectable
Timer 4 interrupt	5	FFF516, FFF416	
f(XIN)/4096 interrupt	6	FFF316, FFF216	
VSYNC interrupt	7	FFF116, FFF016	Active edge selectable
Timer 3 interrupt	8	FFEF16, FFEE16	
Timer 2 interrupt	9	FFED16, FFEC16	
Timer 1 interrupt	10	FFEB16, FFEA16	
Serial I/O interrupt	11	FFE916, FFE816	
Multi-master I <sup>2</sup> C-BUS interface interrupt	12	FFE716, FFE616	
INT3 interrupt	13	FFE516, FFE416	Active edge selectable
BRK instruction interrupt	14	FFDF16, FFDE16	Non-maskable (software interrupt)

# M37221M6-XXXSP

SINGLE-CHIP 8-BIT CMOS MICROCOMPUTER for VOLTAGE SYNTHESIZER  
with ON-SCREEN DISPLAY CONTROLLER

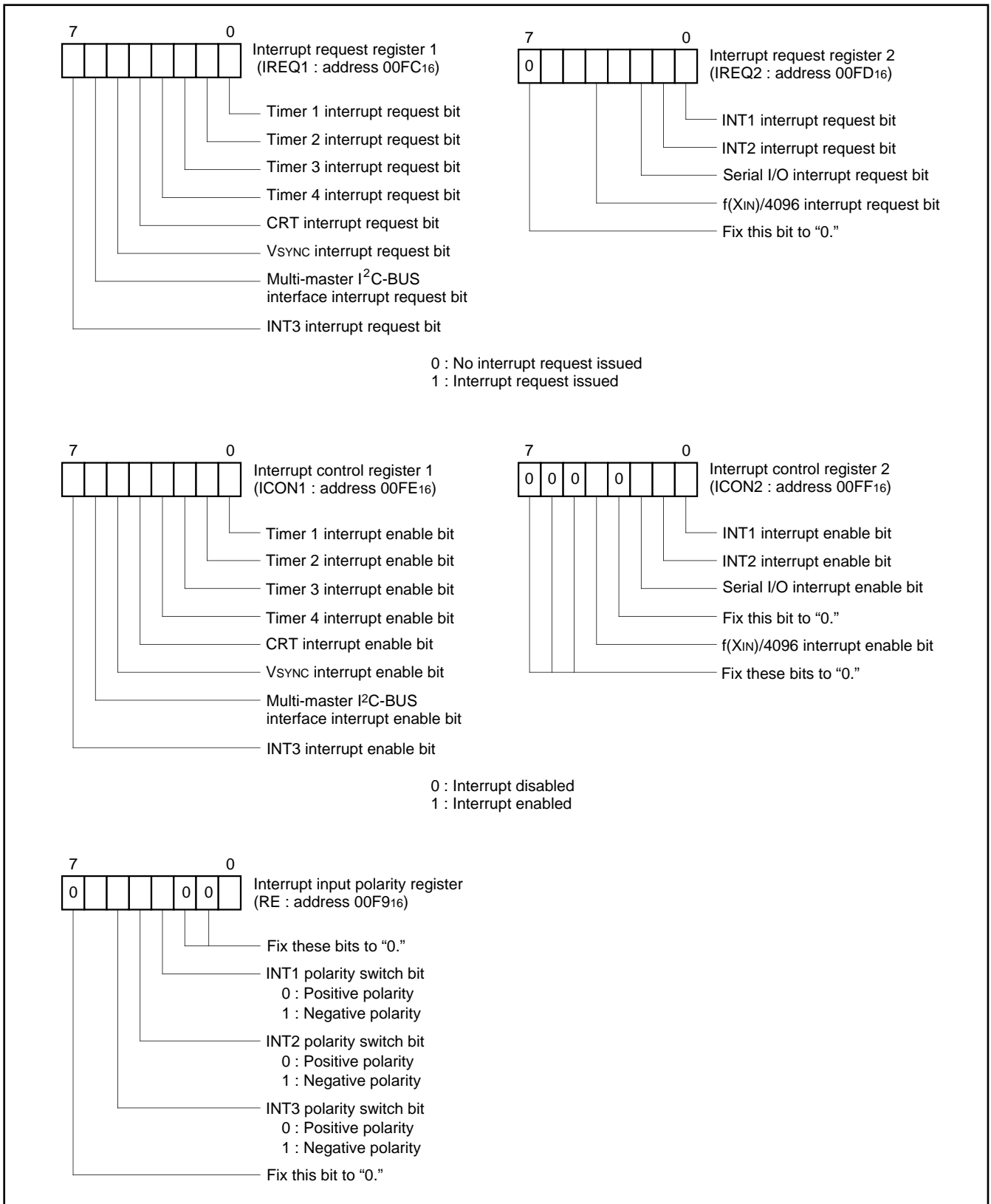


Fig. 4. Structure of interrupt-related registers

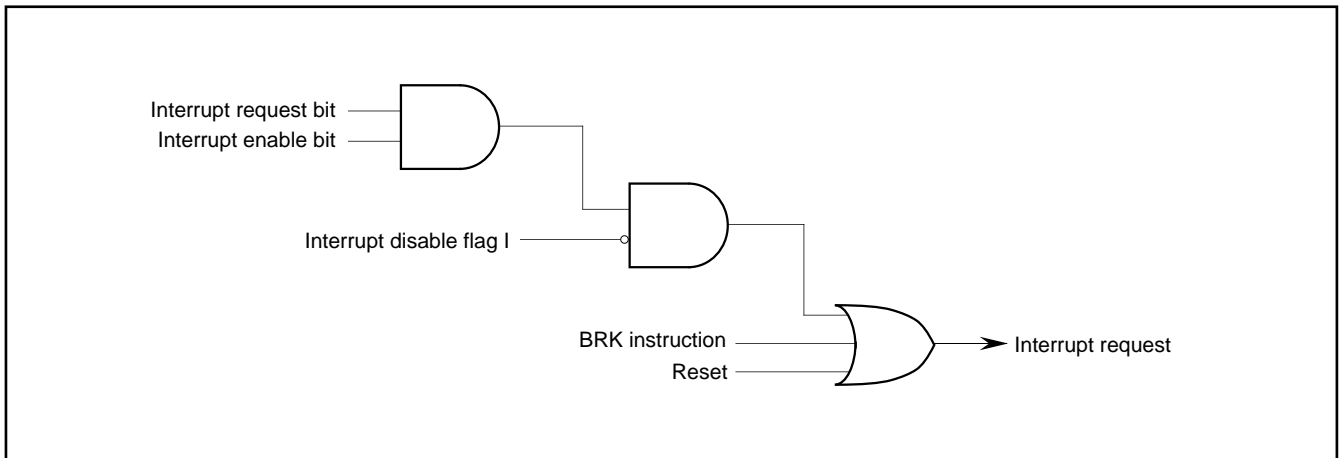


Fig. 5. Interrupt control

## TIMERS

The M37221M6-XXXSP has 4 timers: timer 1, timer 2, timer 3, and timer 4. All timers are 8-bit timers with the 8-bit timer latch. The timer block diagram is shown in Figure 7.

All of the timers count down and their divide ratio is  $1/(n+1)$ , where  $n$  is the value of timer latch. The value is set to a timer at the same time by writing a count value to the corresponding timer latch (addresses 00F0<sub>16</sub> to 00F3<sub>16</sub>).

The count value is decremented by 1. The timer interrupt request bit is set to "1" by a timer overflow at the next count pulse after the count value reaches "00<sub>16</sub>".

### (1) Timer 1

Timer 1 can select one of the following count sources:

- $f(X_{IN})/16$
- $f(X_{IN})/4096$

The count source of timer 1 is selected by setting bit 0 of the timer 12 mode register (address 00F4<sub>16</sub>).

Timer 1 interrupt request occurs at timer 1 overflow.

### (2) Timer 2

Timer 2 can select one of the following count sources:

- $f(X_{IN})/16$
- Timer 1 overflow signal
- External clock from the P24/TIM2 pin

The count source of timer 2 is selected by setting bits 4 and 1 of the timer 12 mode register (address 00F4<sub>16</sub>). When timer 1 overflow signal is a count source for the timer 2, the timer 1 functions as an 8-bit prescaler.

Timer 2 interrupt request occurs at timer 2 overflow.

### (3) Timer 3

Timer 3 can select one of the following count sources:

- $f(X_{IN})/16$
- External clock from the HSYNC pin
- External clock from the P23/TIM3 pin

The count source of timer 3 is selected by setting bits 5 and 0 of the timer 34 mode register (address 00F5<sub>16</sub>).

Timer 3 interrupt request occurs at timer 3 overflow.

### (4) Timer 4

Timer 4 can select one of the following count sources:

- $f(X_{IN})/16$
- $f(X_{IN})/2$
- Timer 3 overflow signal

The count source of timer 3 is selected by setting bits 4 and 1 of the timer 34 mode register (address 00F5<sub>16</sub>). When timer 3 overflow signal is a count source for the timer 4, the timer 3 functions as an 8-bit prescaler.

Timer 4 interrupt request occurs at timer 4 overflow.

At reset, timers 3 and 4 are connected by hardware and "FF<sub>16</sub>" is automatically set in timer 3; "07<sub>16</sub>" in timer 4. The  $f(X_{IN})/16$  is selected as the timer 3 count source. The internal reset is released by timer 4 overflow at these state, the internal clock is connected.

At execution of the STP instruction, timers 3 and 4 are connected by hardware and "FF<sub>16</sub>" is automatically set in timer 3; "07<sub>16</sub>" in timer 4. However, the  $f(X_{IN})/16$  is not selected as the timer 3 count source. So set bit 0 of the timer 34 mode register (address 00F5<sub>16</sub>) to "0" before the execution of the STP instruction ( $f(X_{IN})/16$  is selected as the timer 3 count source). The internal STP state is released by timer 4 overflow at these state, the internal clock is connected.

Because of this, the program starts with the stable clock.

The structure of timer-related registers is shown in Figure 6.

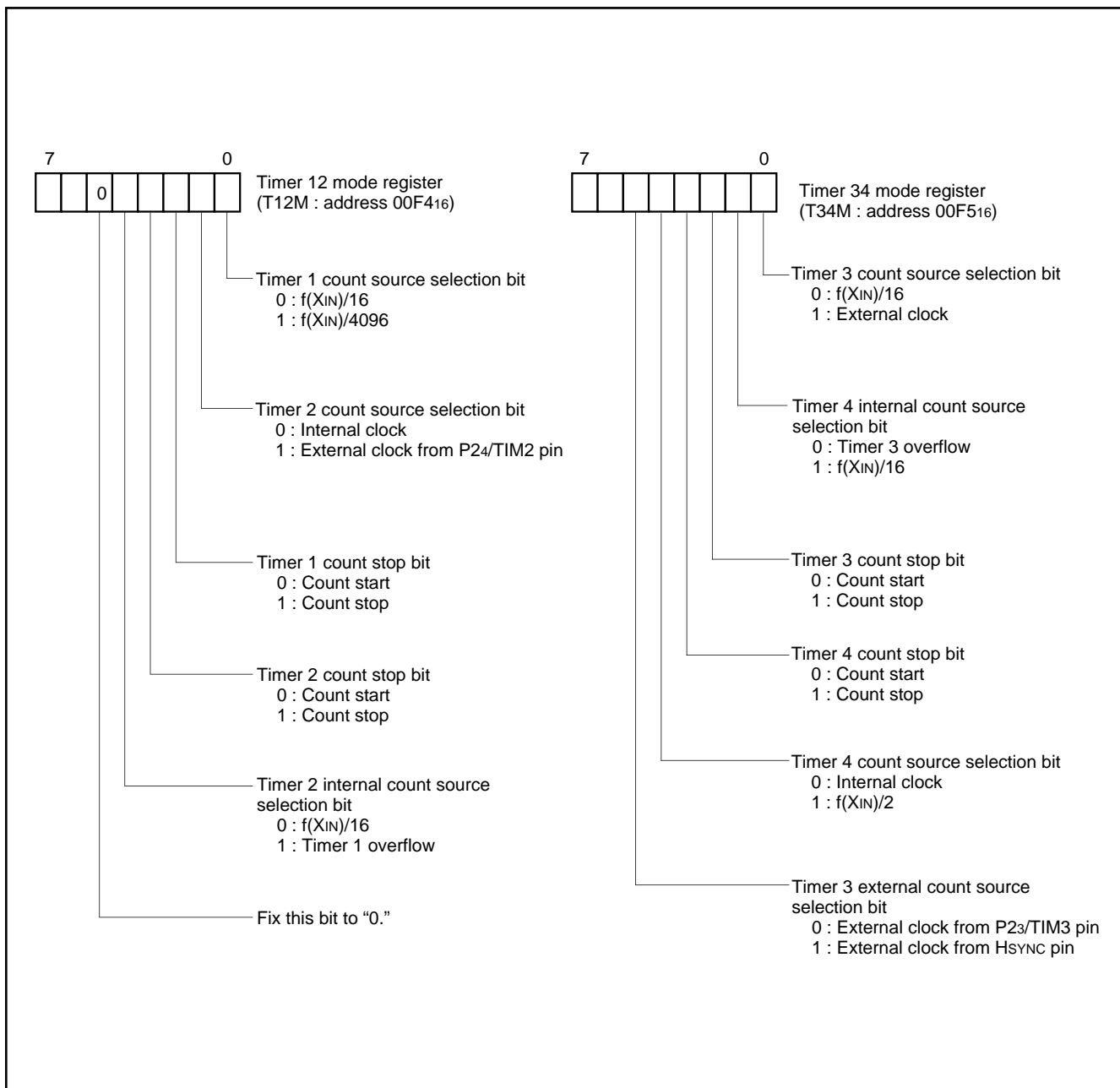


Fig. 6. Structure of timer-related registers

**M37221M6-XXXSP**

SINGLE-CHIP 8-BIT CMOS MICROCOMPUTER for VOLTAGE SYNTHESIZER  
with ON-SCREEN DISPLAY CONTROLLER

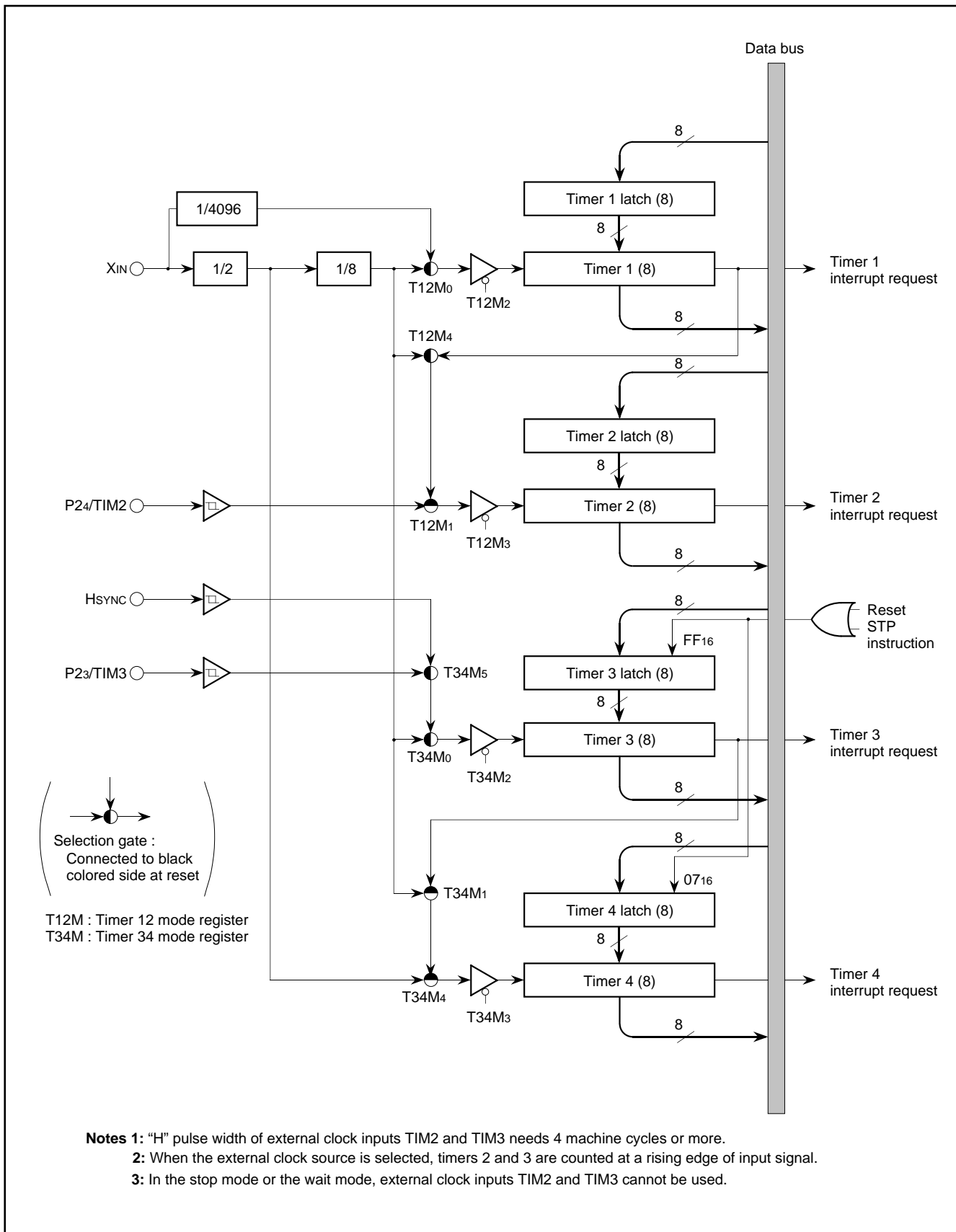


Fig. 7. Timer block diagram

# M37221M6-XXXSP

SINGLE-CHIP 8-BIT CMOS MICROCOMPUTER for VOLTAGE SYNTHESIZER  
with ON-SCREEN DISPLAY CONTROLLER

## SERIAL I/O

The M37221M6-XXXSP has a built-in serial I/O which can either transmit or receive 8-bit data in serial in the clock synchronous mode.

The serial I/O block diagram is shown in Figure 8. The synchronizing clock I/O pin (SCLK), and data I/O pins (SOUT, SIN) also function as port P2.

Bit 2 of the serial I/O mode register (address 00DC16) selects whether the synchronizing clock is supplied internally or externally (from the P20/SCLK pin). When an internal clock is selected, bits 1 and 0 select whether  $f(XIN)$  is divided by 4, 16, 32, or 64. Bit 3 selects whether port P2 is used for serial I/O or not. To use the P22/SIN pin as the SIN pin, set the bit 2 of the port P2 direction register (address 00C516) to "0."

The operation of the serial I/O function is described below. The function of the serial I/O differs depending on the clock source; external clock or internal clock.

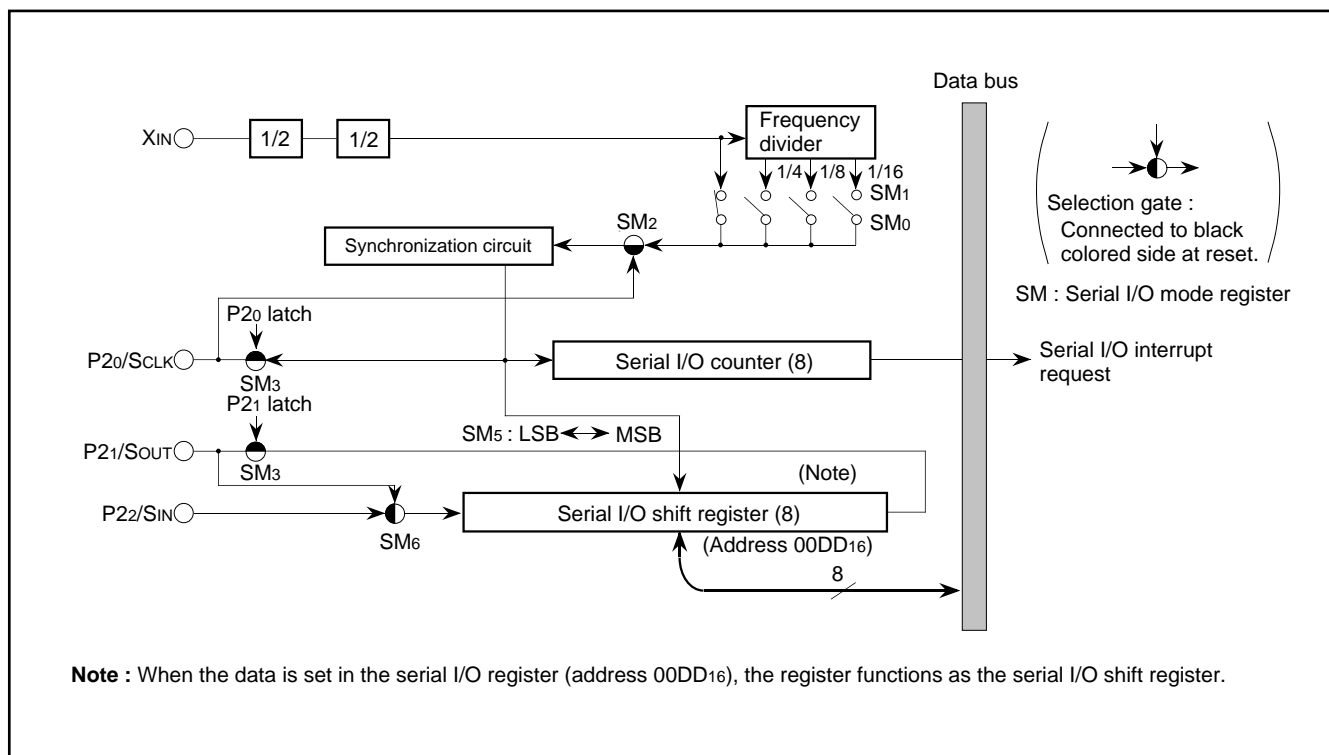


Fig. 8. Serial I/O block diagram



M37221M6-XXXSP

SINGLE-CHIP 8-BIT CMOS MICROCOMPUTER for VOLTAGE SYNTHESIZER with ON-SCREEN DISPLAY CONTROLLER

Internal clock—the serial I/O counter is set to “7” during write cycle into the serial I/O register (address 00DD16), and transfer clock goes “H” forcibly. At each falling edge of the transfer clock after the write cycle, serial data is output from the SOUT pin. Transfer direction can be selected by bit 5 of the serial I/O mode register. At each rising edge of the transfer clock, data is input from the SIN pin and data in the serial I/O register is shifted 1 bit.

After the transfer clock has counted 8 times, the serial I/O counter becomes “0” and the transfer clock stops at “H.” At this time the interrupt request bit is set to “1.”

External clock—when an external clock is selected as the clock source, the interrupt request is set to “1” after the transfer clock has counted 8 times. However, transfer operation does not stop, so control the clock externally. Use the external clock of 1MHz or less with a duty cycle of 50%.

The serial I/O timing is shown in Figure 10. When using an external clock for transfer, the external clock must be held at “H” for initializing the serial I/O counter. When switching between an internal clock and an external clock, do not switch during transfer. Also, be sure to initialize the serial I/O counter after switching.

- Notes 1:** On programming, note that the serial I/O counter is set by writing to the serial I/O register with the bit managing instructions as SEB and CLB instructions.
- 2:** When an external clock is used as the synchronizing clock, write transmit data to the serial I/O register at “H” of the transfer clock input level.

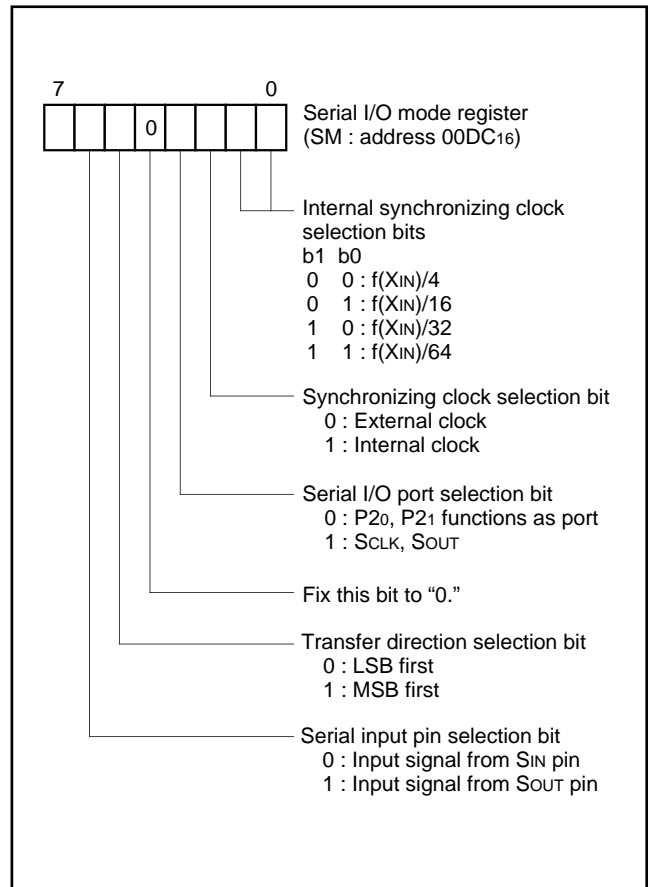


Fig. 9. Structure of serial I/O mode register

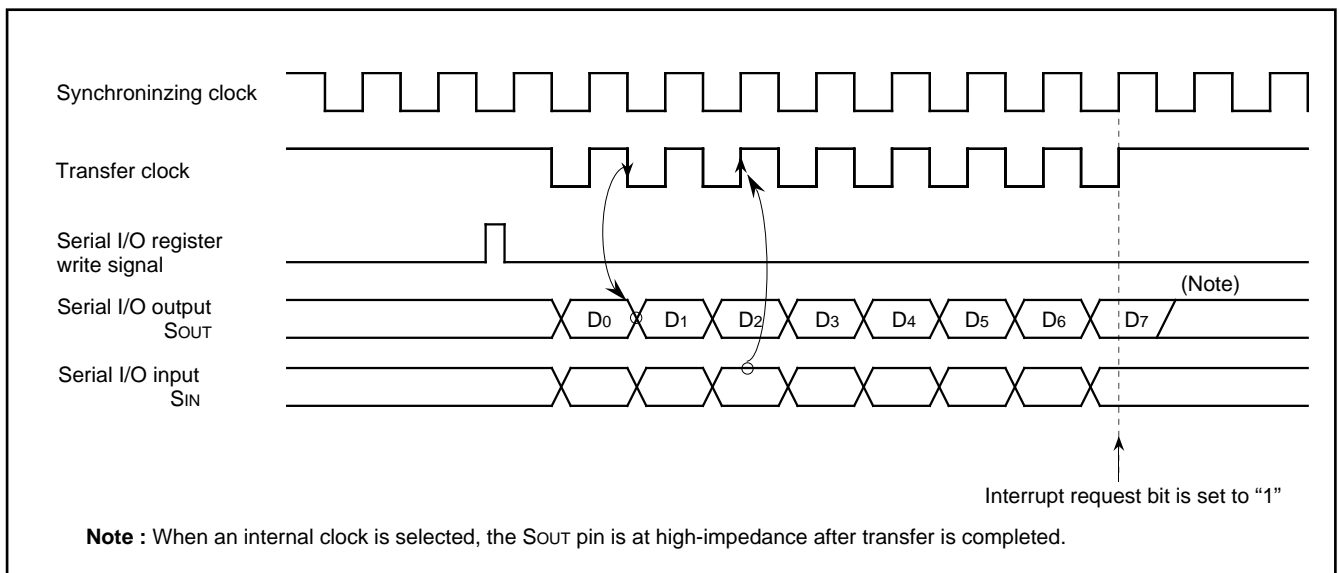


Fig. 10. Serial I/O timing (for LSB first)

**(1) Serial I/O Common Transmission/Reception Mode**

By writing "1" to bit 6 of the serial I/O mode register, signals SIN and SOUT are switched internally to be able to transmit or receive the serial data.

Figure 11 shows signals on serial I/O common transmission/reception mode.

**Note:** When receiving the serial data after writing "FF16" to the serial I/O register.

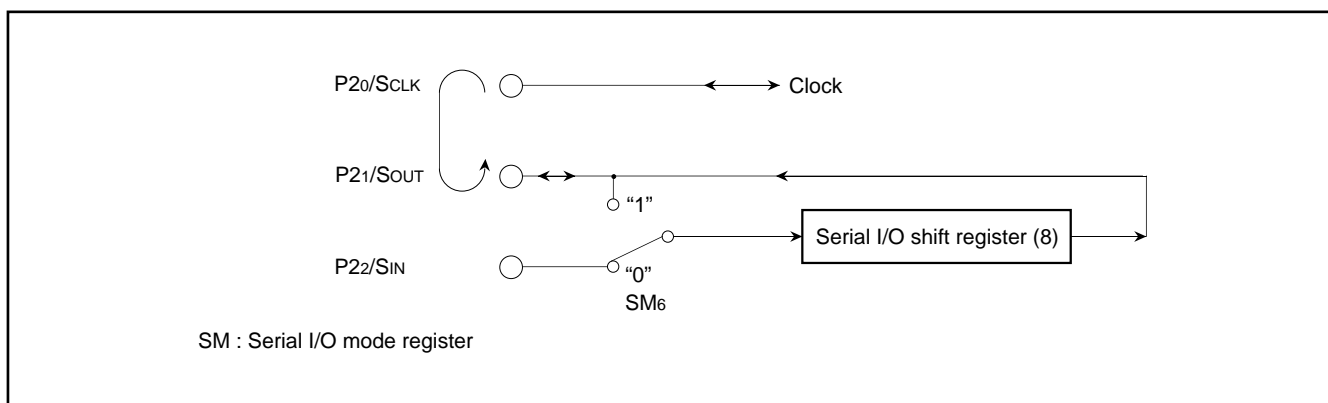


Fig. 11. Signals on serial I/O common transmission/reception mode

**MULTI-MASTER I<sup>2</sup>C-BUS INTERFACE**

The multi-master I<sup>2</sup>C-BUS interface is a circuit for serial communications conformed with the Philips I<sup>2</sup>C-BUS data transfer format. This interface, having an arbitration lost detection function and a synchronous function, is useful for serial communications of the multi-master.

Figure 12 shows a block diagram of the multi-master I<sup>2</sup>C-BUS interface and Table 2 shows multi-master I<sup>2</sup>C-BUS interface functions.

This multi-master I<sup>2</sup>C-BUS interface consists of the I<sup>2</sup>C address register, the I<sup>2</sup>C data shift register, the I<sup>2</sup>C clock control register, the I<sup>2</sup>C control register, the I<sup>2</sup>C status register and other control circuits.

Table 2. Multi-master I<sup>2</sup>C-BUS interface functions

Item	Function
Format	In conformity with Philips I <sup>2</sup> C-BUS standard: 10-bit addressing format 7-bit addressing format High-speed clock mode Standard clock mode
Communication mode	In conformity with Philips I <sup>2</sup> C-BUS standard: Master transmission Master reception Slave transmission Slave reception
SCL clock frequency	16.1 kHz to 400 kHz (at φ = 4 MHz)

φ : System clock = f(XIN)/2

**Note:** We are not responsible for any third party's infringement of patent rights or other rights attributable to the use of the control function (bits 6 and 7 of the I<sup>2</sup>C control register at address 00DA16) for connections between the I<sup>2</sup>C-BUS interface and ports (SCL1, SCL2, SDA1, SDA2).

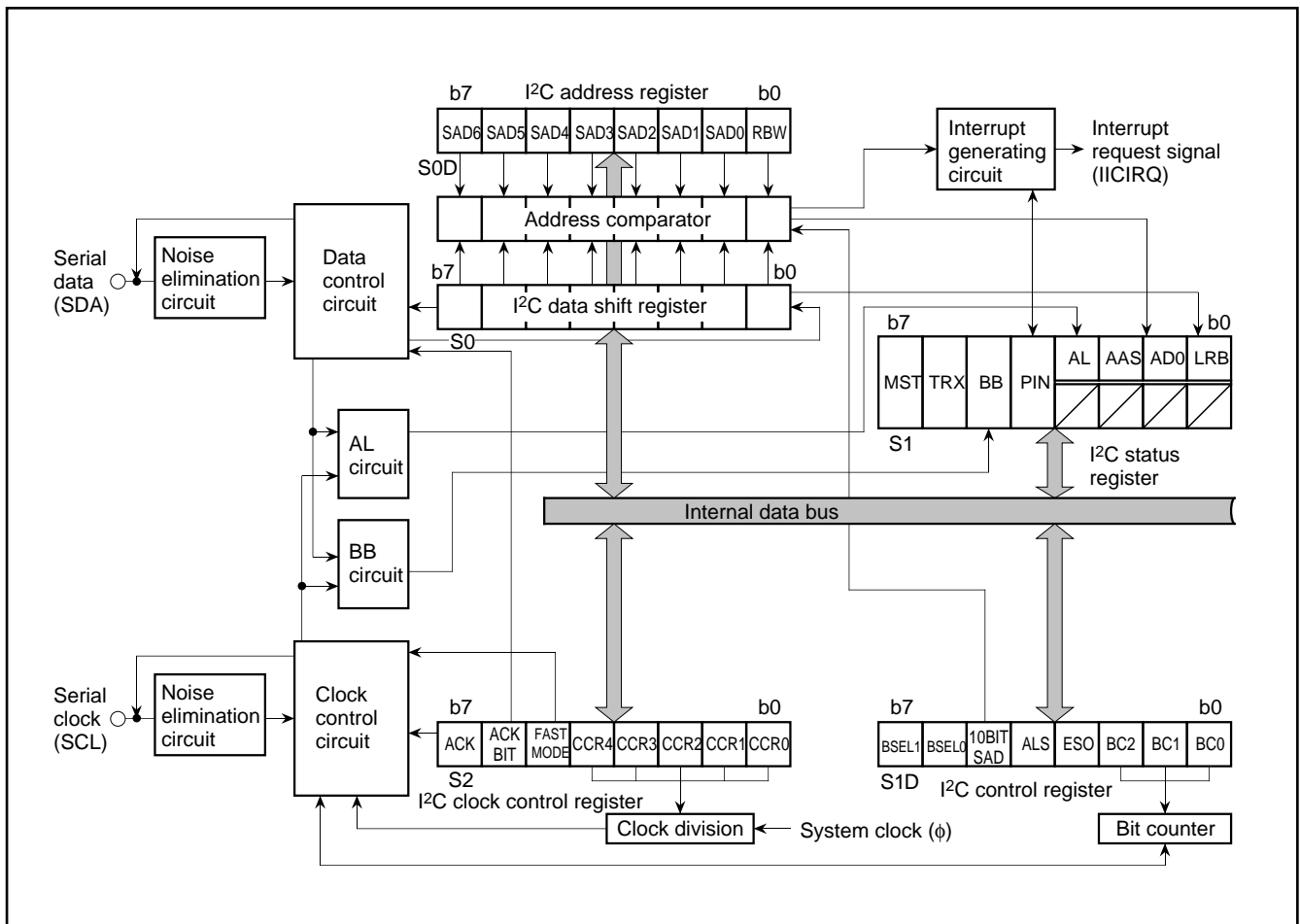


Fig. 12. Block diagram of multimaster I<sup>2</sup>C-BUS interface

### (1) I<sup>2</sup>C Data Shift Register

The I<sup>2</sup>C data shift register (S0 : address 00D716) is an 8-bit shift register to store receive data and write transmit data.

When transmit data is written into this register, it is transferred to the outside from bit 7 in synchronization with the SCL clock, and each time one-bit data is output, the data of this register are shifted one bit to the left. When data is received, it is input to this register from bit 0 in synchronization with the SCL clock, and each time one-bit data is input, the data of this register are shifted one bit to the left.

The I<sup>2</sup>C data shift register is in a write enable status only when the ES0 bit of the I<sup>2</sup>C control register (address 00DA16) is "1." The bit counter is reset by a write instruction to the I<sup>2</sup>C data shift register. When both the ES0 bit and the MST bit of the I<sup>2</sup>C status register (address 00D916) are "1," the SCL is output by a write instruction to the I<sup>2</sup>C data shift register. Reading data from the I<sup>2</sup>C data shift register is always enabled regardless of the ES0 bit value.

**Note:** To write data into the I<sup>2</sup>C data shift register after setting the MST bit to "0" (slave mode), keep an interval of 8 machine cycles or more.

### (2) I<sup>2</sup>C Address Register

The I<sup>2</sup>C address register (address 00D816) consists of a 7-bit slave address and a read/write bit. In the addressing mode, the slave address written in this register is compared with the address data to be received immediately after the START condition are detected.

■ Bit 0: Read/write bit (RBW)

Not used in the 7-bit addressing mode. In the 10-bit addressing mode, the first address data to be received is compared with the contents (SAD6 to SAD0 + RBW) of the I<sup>2</sup>C address register.

The RBW bit is cleared to "0" automatically when the stop condition is detected.

■ Bits 1 to 7: Slave address (SAD0–SAD6)

These bits store slave addresses. Regardless of the 7-bit addressing mode and the 10-bit addressing mode, the address data transmitted from the master is compared with the contents of these bits.

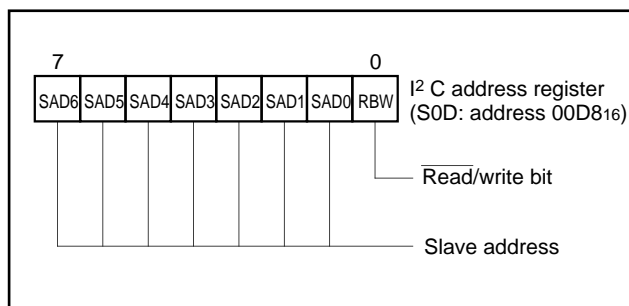


Fig. 13. Structure of I<sup>2</sup>C address register

### (3) I<sup>2</sup>C Clock Control Register

The I<sup>2</sup>C clock control register (address 00DB16) is used to set ACK control, SCL mode and SCL frequency.

■ Bits 0 to 4: SCL frequency control bits (CCR0–CCR4)

These bits control the SCL frequency. Refer to Table 3.

■ Bit 5: SCL mode specification bit (FAST MODE)

This bit specifies the SCL mode. When this bit is set to "0," the standard clock mode is set. When the bit is set to "1," the high-speed clock mode is set.

■ Bit 6: ACK bit (ACK BIT)

This bit sets the SDA status when an ACK clock\* is generated. When this bit is set to "0," the ACK return mode is set and make SDA "L" at the occurrence of an ACK clock. When the bit is set to "1," the ACK non-return mode is set. The SDA is held in the "H" status at the occurrence of an ACK clock.

However, when the slave address matches the address data in the reception of address data at ACK BIT = "0," the SDA is automatically made "L" (ACK is returned). If there is a mismatch between the slave address and the address data, the SDA is automatically made "H"(ACK is not returned).

\*ACK clock: Clock for acknowledgement

■ Bit 7: ACK clock bit (ACK)

This bit specifies a mode of acknowledgment which is an acknowledgment response of data transmission. When this bit is set to "0," the no ACK clock mode is set. In this case, no ACK clock occurs after data transmission. When the bit is set to "1," the ACK clock mode is set and the master generates an ACK clock upon completion of each 1-byte data transmission. The device for transmitting address data and control data releases the SDA at the occurrence of an ACK clock (make SDA "H") and receives the ACK bit generated by the data receiving device.

**Note:** Do not write data into the I<sup>2</sup>C clock control register during transmitting. If data is written during transmitting, the I<sup>2</sup>C clock generator is reset, so that data cannot be transmitted normally.

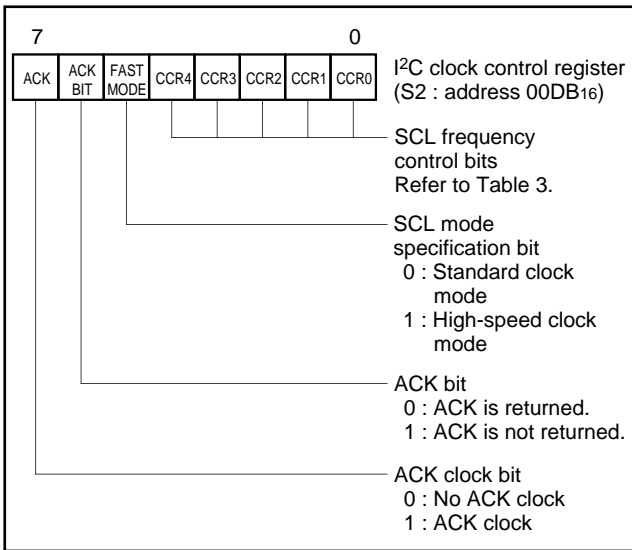


Fig. 14. Structure of I<sup>2</sup>C clock control register

Table 3. Set values of I<sup>2</sup>C clock control register and SCL frequency

Setting value of CCR4–CCR0					SCL frequency (at $\phi = 4\text{MHz}$ , unit : kHz)	
CCR4	CCR3	CCR2	CCR1	CCR0	Standard clock mode	High-speed clock mode
0	0	0	0	0	Setting disabled	Setting disabled
0	0	0	0	1	Setting disabled	Setting disabled
0	0	0	1	0	Setting disabled	Setting disabled
0	0	0	1	1	Setting disabled	333
0	0	1	0	0	Setting disabled	250
0	0	1	0	1	100	400(Note)
0	0	1	1	0	83.3	166
⋮	⋮	⋮	⋮	⋮	500/CCR value	1000/CCR value
1	1	1	0	1	17.2	34.5
1	1	1	1	0	16.6	33.3
1	1	1	1	1	16.1	32.3

**Note:** At 400 kHz in the high-speed clock mode, the duty is 40%.  
In the other cases, the duty is 50%.

#### (4) I<sup>2</sup>C Control Register

The I<sup>2</sup>C control register (address 00DA16) controls data communication format.

■ Bits 0 to 2: Bit counter (BC0–BC2)

These bits decide the number of bits for the next 1-byte data to be transmitted. An interrupt request signal occurs immediately after the number of bits specified with these bits are transmitted.

When a START condition is received, these bits become “0002” and the address data is always transmitted and received in 8 bits.

■ Bit 3: I<sup>2</sup>C interface use enable bit (ESO)

This bit enables to use the multimaster I<sup>2</sup>C BUS interface. When this bit is set to “0,” the use disable status is provided, so the SDA and the SCL become high-impedance. When the bit is set to “1,” use of the interface is enabled.

When ESO = “0,” the following is performed.

- PIN = “1,” BB = “0” and AL = “0” are set (they are bits of the I<sup>2</sup>C status register at address 00D916).

- Writing data to the I<sup>2</sup>C data shift register (address 00D716) is disabled.

■ Bit 4: Data format selection bit (ALS)

This bit decides whether or not to recognize slave addresses. When this bit is set to “0,” the addressing format is selected, so that address data is recognized. When a match is found between a slave address and address data as a result of comparison or when a general call (refer to “(5) I<sup>2</sup>C Status Register,” bit 1) is received, transmission processing can be performed. When this bit is set to “1,” the free data format is selected, so that slave addresses are not recognized.

■ Bit 5: Addressing format selection bit (10BIT SAD)

This bit selects a slave address specification format. When this bit is set to “0,” the 7-bit addressing format is selected. In this case, only the high-order 7 bits (slave address) of the I<sup>2</sup>C address register (address 00D816) are compared with address data. When this bit is set to “1,” the 10-bit addressing format is selected, all the bits of the I<sup>2</sup>C address register are compared with address data.

■ Bits 6 and 7: Connection control bits between I<sup>2</sup>C-BUS interface and ports (BSEL0, BSEL1)

These bits controls the connection between SCL and ports or SDA and ports (refer to Figure 15).

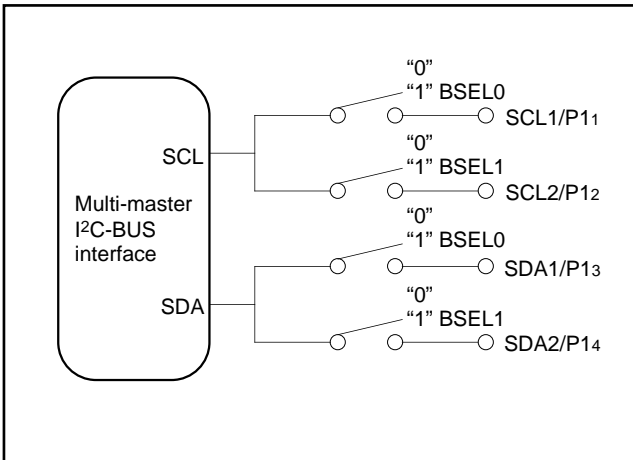


Fig. 15. Connection port control by BSEL0 and BSEL1

**(5) I<sup>2</sup>C Status Register**

The I<sup>2</sup>C status register (address 00D9<sub>16</sub>) controls the I<sup>2</sup>C-BUS interface status. The low-order 4 bits are read-only bits and the high-order 4 bits can be read out and written to.

■ Bit 0: Last receive bit (LRB)

This bit stores the last bit value of received data and can also be used for ACK receive confirmation. If ACK is returned when an ACK clock occurs, the LRB bit is set to "0." If ACK is not returned, this bit is set to "1." Except in the ACK mode, the last bit value of received data is input. The state of this bit is changed from "1" to "0" by executing a write instruction to the I<sup>2</sup>C data shift register (address 00D7<sub>16</sub>).

■ Bit 1: General call detecting flag (AD0)

This bit is set to "1" when a general call\* whose address data is all "0" is received in the slave mode. By a general call of the master device, every slave device receives control data after the general call. The AD0 bit is set to "0" by detecting the STOP condition or START condition.

\*General call: The master transmits the general call address "00<sub>16</sub>" to all slaves.

■ Bit 2: Slave address comparison flag (AAS)

This flag indicates a comparison result of address data.

① In the slave receive mode, when the 7-bit addressing format is selected, this bit is set to "1" in one of the following conditions.

- The address data immediately after occurrence of a START condition agrees with the slave address stored in the high-order 7 bits of the I<sup>2</sup>C address register (address 00D8<sub>16</sub>).
- A general call is received.

② In the slave reception mode, when the 10-bit addressing format is selected, this bit is set to "1" with the following condition.

- When the address data is compared with the I<sup>2</sup>C address register (8 bits consisted of slave address and RBW), the first bytes agree.

③ The state of this bit is changed from "1" to "0" by executing a write instruction to the I<sup>2</sup>C data shift register (address 00D7<sub>16</sub>).

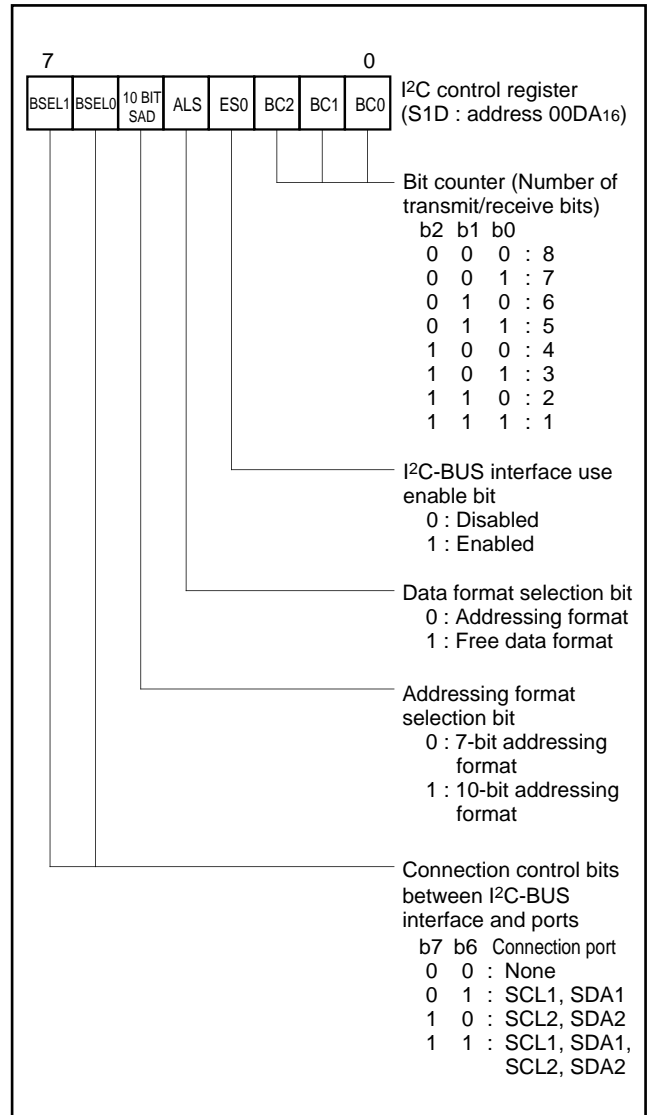


Fig. 16. Structure of I<sup>2</sup>C control register

SINGLE-CHIP 8-BIT CMOS MICROCOMPUTER for VOLTAGE SYNTHESIZER  
with ON-SCREEN DISPLAY CONTROLLER

## ■ Bit 3: Arbitration lost\* detecting flag (AL)

In the master transmission mode, when the SDA is made "L" by any other device, arbitration is judged to have been lost, so that this bit is set to "1." At the same time, the TRX bit is set to "0," so that immediately after transmission of the byte whose arbitration was lost is completed, the MST bit is set to "0." In the case arbitration is lost during slave address transmission, the TRX bit is set to "0" and the reception mode is set. Consequently, it becomes possible to receive and recognize its own slave address transmitted by another master device.

\*Arbitration lost: The status in which communication as a master is disabled.

■ Bit 4: I<sup>2</sup>C-BUS interface interrupt request bit (PIN)

This bit generates an interrupt request signal. Each time 1-byte data is transmitted, the state of the PIN bit changes from "1" to "0." At the same time, an interrupt request signal occurs to the CPU. The PIN bit is set to "0" in synchronization with a falling of the last clock (including the ACK clock) of an internal clock and an interrupt request signal occurs in synchronization with a falling of the PIN bit. When the PIN bit is "0," the SCL is kept in the "0" state and clock generation is disabled. Figure 18 shows an interrupt request signal generating timing chart.

The PIN bit is set to "1" in one of the following conditions.

- Executing a write instruction to the I<sup>2</sup>C data shift register (address 00D716).
- When the ES0 bit is "0"
- At reset

The conditions in which the PIN bit is set to "0" are shown below:

- Immediately after completion of 1-byte data transmission (including when arbitration lost is detected)
- Immediately after completion of 1-byte data reception
- In the slave reception mode, with ALS = "0" and immediately after completion of slave address or general call address reception
- In the slave reception mode, with ALS = "1" and immediately after completion of address data reception

## ■ Bit 5: Bus busy flag (BB)

This bit indicates the status of use of the bus system. When this bit is set to "0," this bus system is not busy and a START condition can be generated. When this bit is set to "1," this bus system is busy and the occurrence of a START condition is disabled by the START condition duplication prevention function (Note).

This flag can be written by software only in the master transmission mode. In the other modes, this bit is set to "1" by detecting a START condition and set to "0" by detecting a STOP condition. When the ES0 bit of the I<sup>2</sup>C control register (address 00DA16) is "0" and at reset, the BB flag is kept in the "0" state.

## ■ Bit 6: Communication mode specification bit (transfer direction specification bit: TRX)

This bit decides a direction of transfer for data communication. When this bit is "0," the reception mode is selected and the data of a transmitting device is received. When the bit is "1," the transmission mode is selected and address data and control data are output onto the SDA in synchronization with the clock generated on the SCL.

When the ALS bit of the I<sup>2</sup>C control register (address 00DA16) is "0" in the slave reception mode is selected, the TRX bit is set to "1" (transmit) if the least significant bit (R/W bit) of the address data trans-

mitted by the master is "1." When the ALS bit is "0" and the  $\overline{R/W}$  bit is "0," the TRX bit is cleared to "0" (receive).

The TRX bit is cleared to "0" in one of the following conditions.

- When arbitration lost is detected.
- When a STOP condition is detected.
- When occurrence of a START condition is disabled by the START condition duplication preventing function (Note).
- With MST = "0" and when a START condition is detected.
- With MST = "0" and when ACK non-return is detected.
- At reset

## ■ Bit 7: Communication mode specification bit (master/slave specification bit: MST)

This bit is used for master/slave specification for data communication. When this bit is "0," the slave is specified, so that a START condition and a STOP condition generated by the master are received, and data communication is performed in synchronization with the clock generated by the master. When this bit is "1," the master is specified and a START condition and a STOP condition are generated, and also the clocks required for data communication are generated on the SCL.

The MST bit is cleared to "0" in one of the following conditions.

- Immediately after completion of 1-byte data transmission when arbitration lost is detected
- When a STOP condition is detected.
- When occurrence of a START condition is disabled by the START condition duplication preventing function (Note).
- At reset

**Note:** The START condition duplication prevention function disables the occurrence of a START condition, reset of bit counter and SCL output when the following condition is satisfied:

- a START condition is set by another master device.

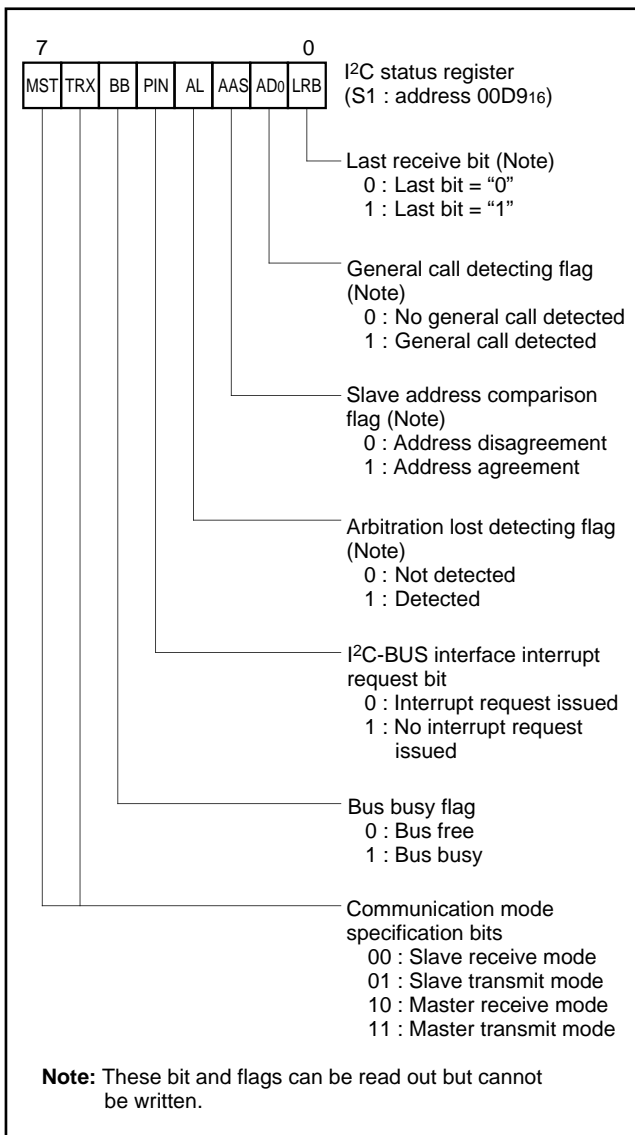


Fig. 17. Structure of I<sup>2</sup>C status register

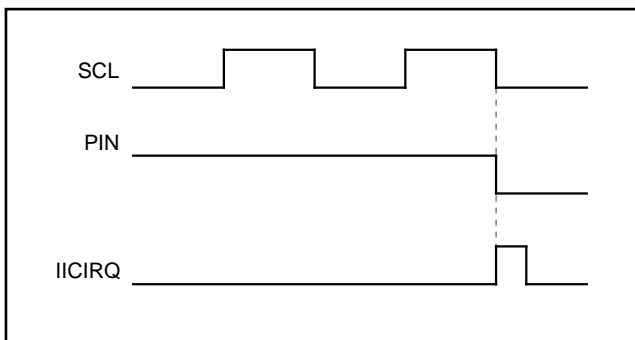


Fig. 18. Interrupt request signal generating timing

### (6) START Condition Generating Method

When the ES0 bit of the I<sup>2</sup>C control register (address 00DA16) is "1," execute a write instruction to the I<sup>2</sup>C status register (address 00D916) for setting the MST, TRX and BB bits to "1." Then a START condition occurs. After that, the bit counter becomes "0002" and an SCL for 1 byte is output. The START condition generating timing and BB bit set timing are different in the standard clock mode and the high-speed clock mode. Refer to Figure 19, the START condition generating timing diagram, and Table 4, the START condition/STOP condition generating timing table.

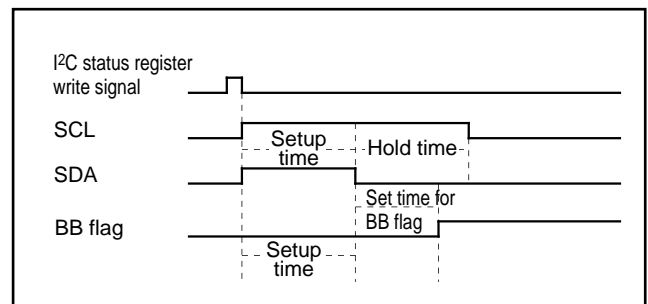


Fig. 19. START condition generating timing diagram

### (7) STOP Condition Generating Method

When the ES0 bit of the I<sup>2</sup>C control register (address 00DA16) is "1," execute a write instruction to the I<sup>2</sup>C status register (address 00D916) for setting the MST bit and the TRX bit to "1" and the BB bit to "0." Then a STOP condition occurs. The STOP condition generating timing and the BB flag reset timing are different in the standard clock mode and the high-speed clock mode. Refer to Figure 20, the STOP condition generating timing diagram, and Table 4, the START condition/STOP condition generating timing table.

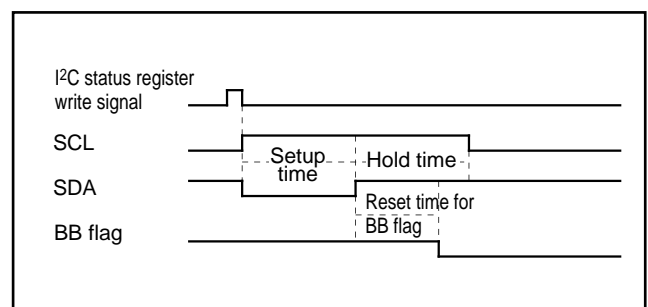


Fig. 20. STOP condition generating timing diagram

Table 4. START condition/STOP condition generating timing table

Item	Standard clock mode	High-speed clock mode
Setup time	5.0 μs (20 cycles)	2.5 μs (10 cycles)
Hold time	5.0 μs (20 cycles)	2.5 μs (10 cycles)
Set/reset time for BB flag	3.0 μs (12 cycles)	1.5 μs (6 cycles)

**Note:** Absolute time at  $\phi = 4$  MHz. The value in parentheses denotes the number of  $\phi$  cycles.



**(8) START/STOP Condition Detecting Conditions**

The START/STOP condition detecting conditions are shown in Figure 21 and Table 5. Only when the 3 conditions of Table 5 are satisfied, a START/STOP condition can be detected.

**Note:** When a STOP condition is detected in the slave mode (MST = 0), an interrupt request signal "IICIRQ" occurs to the CPU.

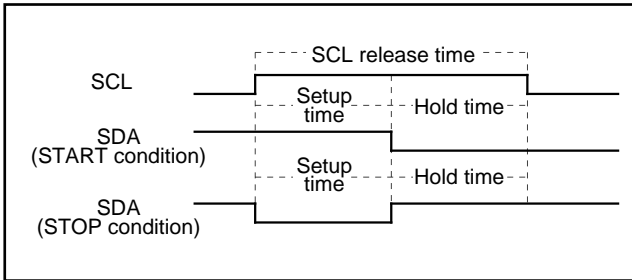


Fig. 21. START condition/STOP condition detecting timing diagram

Table 5. START condition/STOP condition detecting conditions

Standard clock mode	High-speed clock mode
6.5 μs (26 cycles) < SCL release time	1.0 μs (4 cycles) < SCL release time
3.25 μs (13 cycles) < Setup time	0.5 μs (2 cycles) < Setup time
3.25 μs (13 cycles) < Hold time	0.5 μs (2 cycles) < Hold time

**Note:** Absolute time at φ = 4 MHz. The value in parentheses denotes the number of φ cycles.

**(9) Address Data Communication**

There are two address data communication formats, namely, 7-bit addressing format and 10-bit addressing format. The respective address communication formats is described below.

① 7-bit addressing format

To meet the 7-bit addressing format, set the 10BIT SAD bit of the I<sup>2</sup>C control register (address 00DA16) to "0." The first 7-bit address data transmitted from the master is compared with the high-order 7-bit slave address stored in the I<sup>2</sup>C address register (address 00D816). At the time of this comparison, address comparison of the RBW bit of the I<sup>2</sup>C address register (address 00D816) is not made. For the data transmission format when the 7-bit addressing format is selected, refer to Figure 22, (1) and (2).

② 10-bit addressing format

To meet the 10-bit addressing format, set the 10BIT SAD bit of the I<sup>2</sup>C control register (address 00DA16) to "1." An address comparison is made between the first-byte address data transmitted from the master and the 7-bit slave address stored in the I<sup>2</sup>C address register (address 00D816). At the time of this comparison, an address comparison between the RBW bit of the I<sup>2</sup>C address register (address 00D816) and the R/W bit which is the last bit of the address data transmitted from the master is made. In the 10-bit addressing mode, the R/W bit which is the last bit of the address data not only specifies the direction of communication for control data but also is processed as an address data bit.

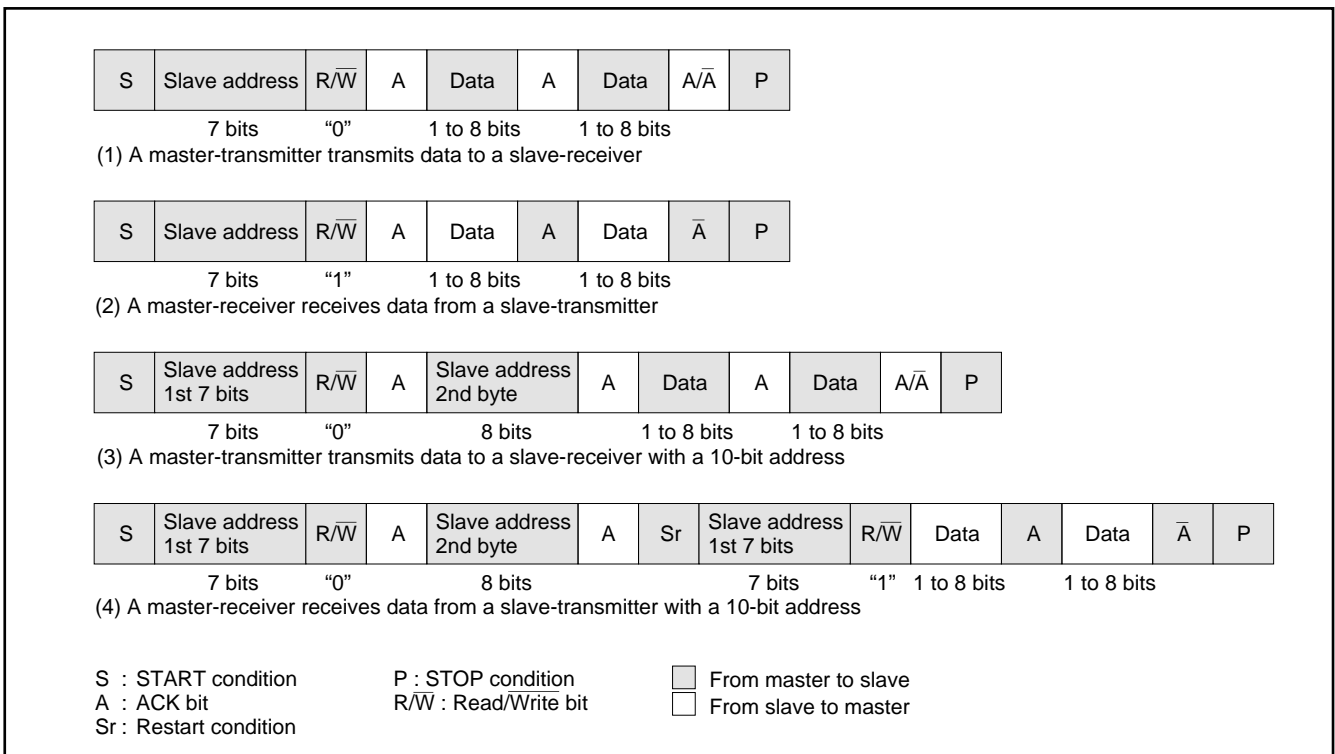


Fig. 22. Address data communication format

When the first-byte address data matches the slave address, the AAS bit of the I<sup>2</sup>C status register (address 00D9<sub>16</sub>) is set to "1." After the second-byte address data is stored into the I<sup>2</sup>C data shift register (address 00D7<sub>16</sub>), make an address comparison between the second-byte data and the slave address by software. When the address data of the 2nd byte matches the slave address, set the RBW bit of the I<sup>2</sup>C address register (address 00D8<sub>16</sub>) to "1" by software. This processing can match the 7-bit slave address and R $\bar{W}$  data, which are received after a RESTART condition is detected, with the value of the I<sup>2</sup>C address register (address 00D8<sub>16</sub>). For the data transmission format when the 10-bit addressing format is selected, refer to Figure 22, (3) and (4).

### (10) Example of Master Transmission

An example of master transmission in the standard clock mode, at the SCL frequency of 100 kHz and in the ACK return mode is shown below.

- ① Set a slave address in the high-order 7 bits of the I<sup>2</sup>C address register (address 00D8<sub>16</sub>) and "0" in the RBW bit.
- ② Set the ACK return mode and SCL = 100 kHz by setting "85<sub>16</sub>" in the I<sup>2</sup>C clock control register (address 00DB<sub>16</sub>).
- ③ Set "10<sub>16</sub>" in the I<sup>2</sup>C status register (address 00D9<sub>16</sub>) and hold the SCL at the "H" level.
- ④ Set a communication enable status by setting "48<sub>16</sub>" in the I<sup>2</sup>C control register (address 00DA<sub>16</sub>).
- ⑤ Set the address data of the destination of transmission in the high-order 7 bits of the I<sup>2</sup>C data shift register (address 00D7<sub>16</sub>) and set "0" in the least significant bit.
- ⑥ Set "F0<sub>16</sub>" in the I<sup>2</sup>C status register (address 00D9<sub>16</sub>) to generate a START condition. At this time, an SCL for 1 byte and an ACK clock automatically occurs.
- ⑦ Set transmit data in the I<sup>2</sup>C data shift register (address 00D7<sub>16</sub>). At this time, an SCL and an ACK clock automatically occurs.
- ⑧ When transmitting control data of more than 1 byte, repeat step ⑦.
- ⑨ Set "D0<sub>16</sub>" in the I<sup>2</sup>C status register (address 00D9<sub>16</sub>). After this, if ACK is not returned or transmission ends, a STOP condition occurs.

### (11) Example of Slave Reception

An example of slave reception in the high-speed clock mode, at the SCL frequency of 400 kHz, in the ACK non-return mode and using the addressing format is shown below.

- ① Set a slave address in the high-order 7 bits of the I<sup>2</sup>C address register (address 00D8<sub>16</sub>) and "0" in the RBW bit.
- ② Set the no ACK clock mode and SCL = 400 kHz by setting "25<sub>16</sub>" in the I<sup>2</sup>C clock control register (address 00DB<sub>16</sub>).
- ③ Set "10<sub>16</sub>" in the I<sup>2</sup>C status register (address 00D9<sub>16</sub>) and hold the SCL at the "H" level.
- ④ Set a communication enable status by setting "48<sub>16</sub>" in the I<sup>2</sup>C control register (address 00DA<sub>16</sub>).
- ⑤ When a START condition is received, an address comparison is made.

- ⑥ •When all transmitted addresses are "0" (general call)  
AD0 of the I<sup>2</sup>C status register (address 00D9<sub>16</sub>) is set to "1" and an interrupt request signal occurs.  
•When the transmitted addresses match the address set in ①  
AAS of the I<sup>2</sup>C status register (address 00D9<sub>16</sub>) is set to "1" and an interrupt request signal occurs.  
•In the cases other than the above  
AD0 and AAS of the I<sup>2</sup>C status register (address 00D9<sub>16</sub>) are set to "0" and no interrupt request signal occurs.
- ⑦ Set dummy data in the I<sup>2</sup>C data shift register (address 00D7<sub>16</sub>).
- ⑧ When receiving control data of more than 1 byte, repeat step ⑦.
- ⑨ When a STOP condition is detected, the communication ends.

## PWM OUTPUT FUNCTION

The M37221M6-XXXSP is equipped with a 14-bit PWM (DA) and six 8-bit PWMs (PWM0–PWM5). DA has a 14-bit resolution with the minimum resolution bit width of 0.25  $\mu$ s (for  $f(X_{IN}) = 8$  MHz) and a repeat period of 4096  $\mu$ s. PWM0–PWM5 have the same circuit structure and an 8-bit resolution with minimum resolution bit width of 4  $\mu$ s (for  $f(X_{IN}) = 8$  MHz) and repeat period of 1024  $\mu$ s.

Figure 23 shows the PWM block diagram. The PWM timing generating circuit applies individual control signals to PWM0–PWM5 using  $f(X_{IN})$  divided by 2 as a reference signal.

### (1) Data Setting

When outputting DA, first set the high-order 8 bits to the DA-H register (address 00CE16), then the low-order 6 bits to the DA-L register (address 00CF16). When outputting PWM0–PWM5, set 8-bit output data in the PWMi register (i means 0 to 5; addresses 00D016 to 00D416, 00F616).

### (2) Transmitting Data from Register to PWM circuit

Data transfer from the 8-bit PWM register to 8-bit PWM circuit is executed at writing data to the register.

The signal output from the 8-bit PWM output pin corresponds to the contents of this register.

Also, data transfer from the DA register (addresses 00CE16 and 00CF16) to the 14-bit PWM circuit is executed at writing data to the DA-L register (address 00CF16). Reading from the DA-H register (address 00CE16) means reading this transferred data. Accordingly, it is possible to confirm the data being output from the D-A output pin by reading the DA register.

### (3) Operating of 8-bit PWM

The following is the explanation about PWM operation.

At first, set the bit 0 of PWM output control register 1 (address 00D516) to "0" (at reset, bit 0 is already set to "0" automatically), so that the PWM count source is supplied.

PWM0–PWM5 are also used as pins P00–P05 respectively. For PWM0–PWM5, set the corresponding bits of the port P0 direction register to "1" (output mode). And select each output polarity by bit 3 of the PWM output control register 2 (address 00D616). Then, set bits 2 to 7 of the PWM output control register 1 to "1" (PWM output). The PWM waveform is output from the PWM output pins by setting these registers.

Figure 24 shows the 8-bit PWM timing. One cycle (T) is composed of 256 ( $2^8$ ) segments. The 8 kinds of pulses relative to the weight of each bit (bits 0 to 7) are output inside the circuit during 1 cycle. Refer to Figure 24 (a). The 8-bit PWM outputs waveform which is the logical sum (OR) of pulses corresponding to the contents of bits 0 to 7 of the 8-bit PWM register. Several examples are shown in Figure 24 (b). 256 kinds of output ("H" level area: 0/256 to 255/256) are selected by changing the contents of the PWM register. A length of entirely "H" output cannot be output, i.e. 256/256.

### (4) Operating of 14-bit PWM

As with 8-bit PWM, set the bit 0 of the PWM output control register 1 (address 00D516) to "0" (at reset, bit 0 is already set to "0" automatically), so that the PWM count source is supplied. Next, select the output polarity by bit 2 of the PWM output control register 2 (address 00D616). Then, the 14-bit PWM outputs from the D-A output pin by setting bit 1 of the PWM output control register 1 to "0" (at reset, this bit already set to "0" automatically) to select the DA output.

The output example of the 14-bit PWM is shown in Figure 25.

The 14-bit PWM divides the data of the DA latch into the low-order 6 bits and the high-order 8 bits.

The fundamental waveform is determined with the high-order 8-bit data "DH." A "H" level area with a length  $\tau \times D_H$  ("H" level area of fundamental waveform) is output every short area of " $t$ " =  $256\tau = 64 \mu$ s ( $\tau$  is the minimum resolution bit width of 0.25  $\mu$ s). The "H" level area increase interval ( $t_m$ ) is determined with the low-order 6-bit data "DL." The "H" level area of smaller intervals " $t_m$ " shown in Table 6 is longer by  $\tau$  than that of other smaller intervals in PWM repeat period " $T$ " =  $64t$ . Thus, a rectangular waveform with the different "H" width is output from the D-A pin. Accordingly, the PWM output changes by  $\tau$  unit pulse width by changing the contents of the DA-H and DA-L registers. A length of entirely "H" output cannot be output, i. e. 256/256.

### (5) Output after Reset

At reset, the output of port P00–P05 is in the high-impedance state, and the contents of the PWM register and the PWM circuit are undefined. Note that after reset, the PWM output is undefined until setting the PWM register.

Table 6. Relation between the low-order 6-bit data and high-level area increase interval

Low-order 6 bits of data	Area longer by $\tau$ than that of other $t_m$ ( $m = 0$ to 63)
0 0 0 0 0 0 <sup>LSB</sup>	Nothing
0 0 0 0 0 1	$m = 32$
0 0 0 0 1 0	$m = 16, 48$
0 0 0 1 0 0	$m = 8, 24, 40, 56$
0 0 1 0 0 0	$m = 4, 12, 20, 28, 36, 44, 52, 60$
0 1 0 0 0 0	$m = 2, 6, 10, 14, 18, 22, 26, 30, 34, 38, 42, 46, 50, 54, 58, 62$
1 0 0 0 0 0	$m = 1, 3, 5, 7, \dots, 57, 59, 61, 63$

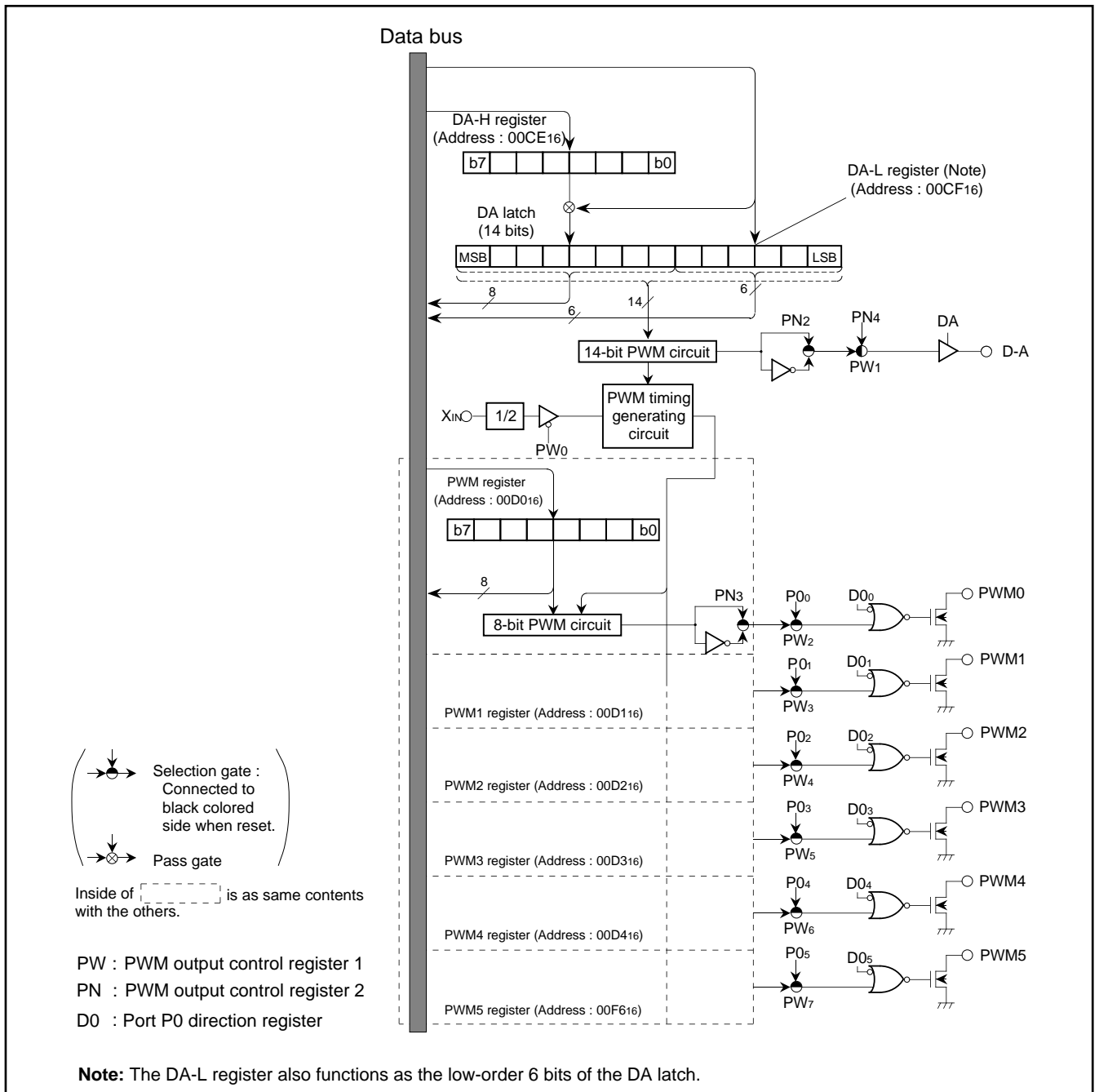


Fig. 23. PWM block diagram

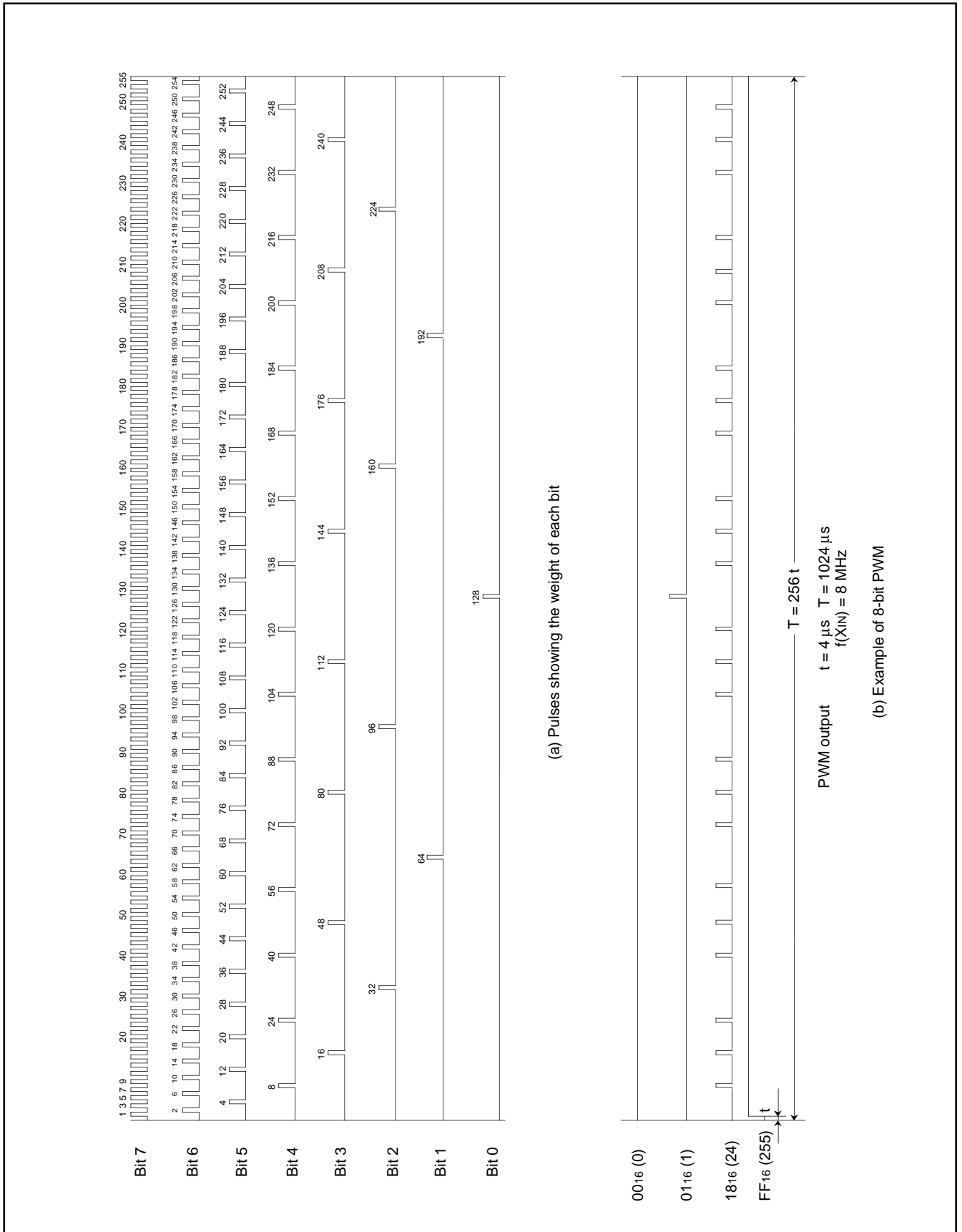


Fig. 24. 8-bit PWM timing

M37221M6-XXXSP

SINGLE-CHIP 8-BIT CMOS MICROCOMPUTER for VOLTAGE SYNTHESIZER with ON-SCREEN DISPLAY CONTROLLER

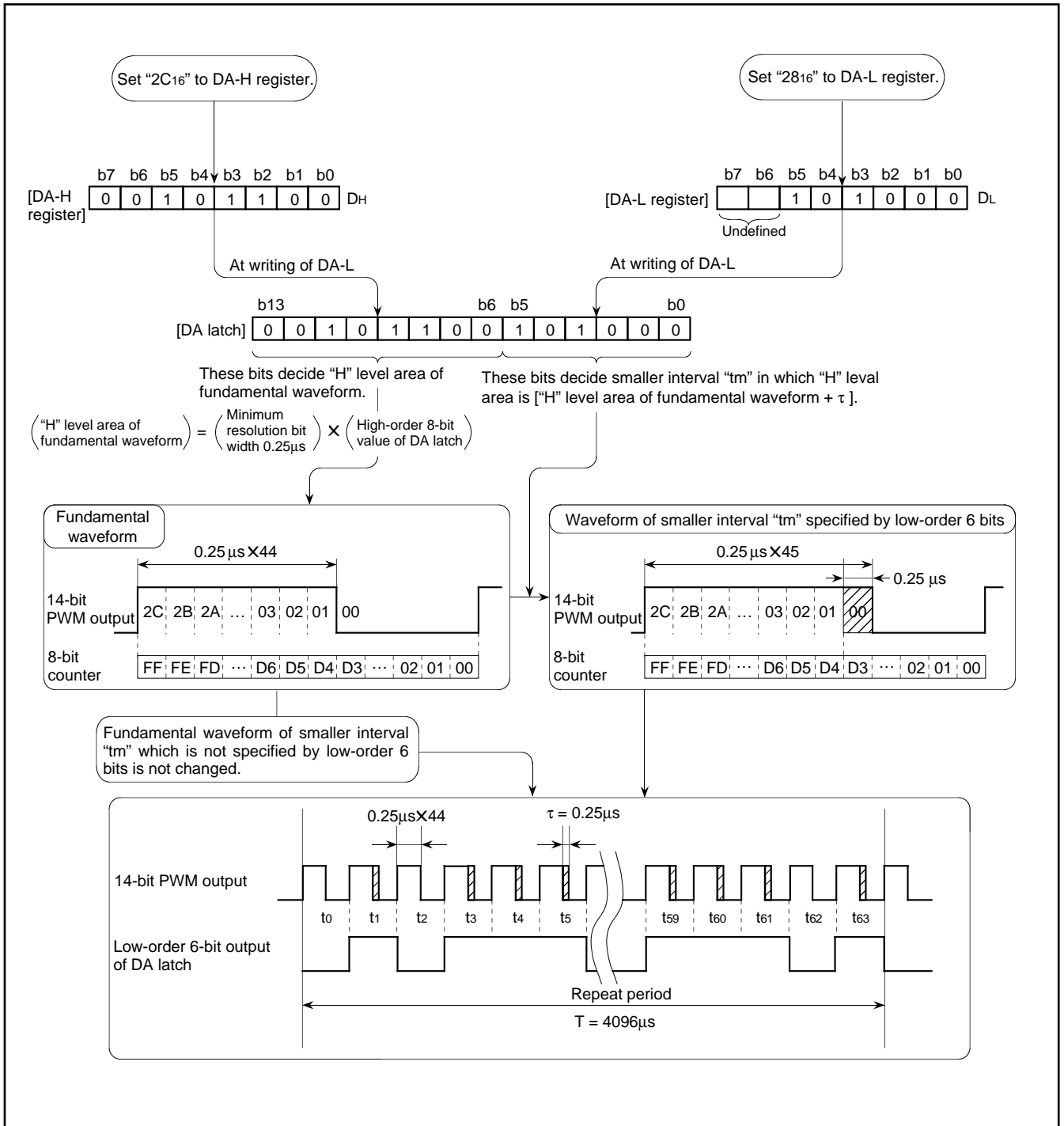


Fig. 25. 14-bit PWM output example (f(XIN) = 8 MHz)

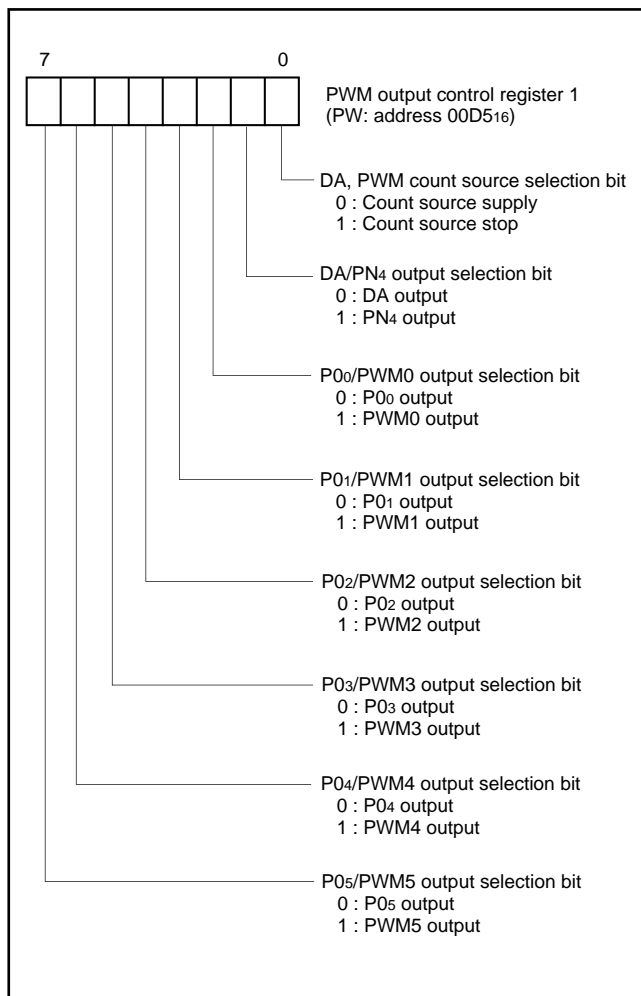


Fig. 26. Structure of PWM output control register 1

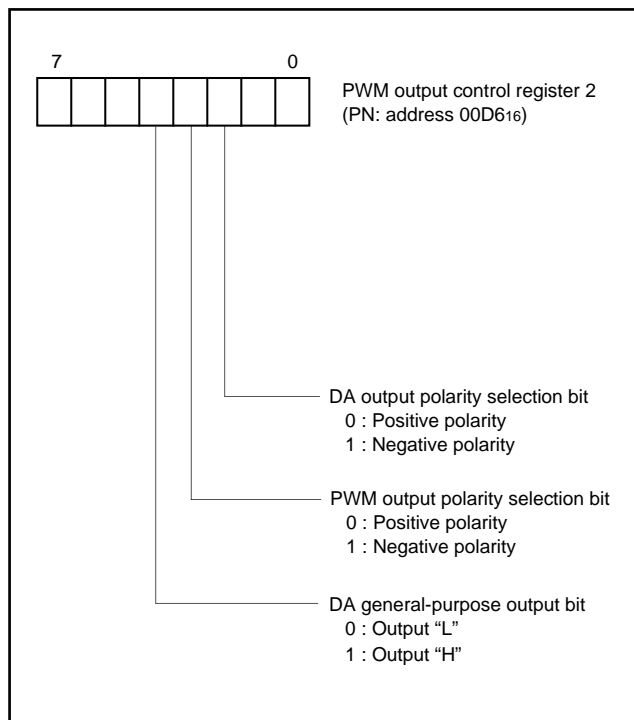


Fig. 27. Structure of PWM output control register 2

# M37221M6-XXXSP

SINGLE-CHIP 8-BIT CMOS MICROCOMPUTER for VOLTAGE SYNTHESIZER with ON-SCREEN DISPLAY CONTROLLER

## A-D COMPARATOR

A-D comparator consists of 6-bit D-A converter and comparator. A-D comparator block diagram is shown in Figure 30.

The reference voltage "V<sub>ref</sub>" for D-A conversion is set by bits 0 to 5 of the A-D control register 2 (address 00EF16).

The comparison result of the analog input voltage and the reference voltage "V<sub>ref</sub>" is stored in bit 4 of the A-D control register (address 00EE16).

For A-D comparison, set "0" to corresponding bits of the direction register to use ports as analog input pins. Write the data for select of analog input pins to bits 0 to 2 of the A-D control register 1 and write the digital value corresponding to V<sub>ref</sub> to be compared to the bits 0 to 5 A-D control register 2. The voltage comparison starts by writing to the A-D control register 2, and it is completed after 16 machine cycles (NOP instruction × 8).

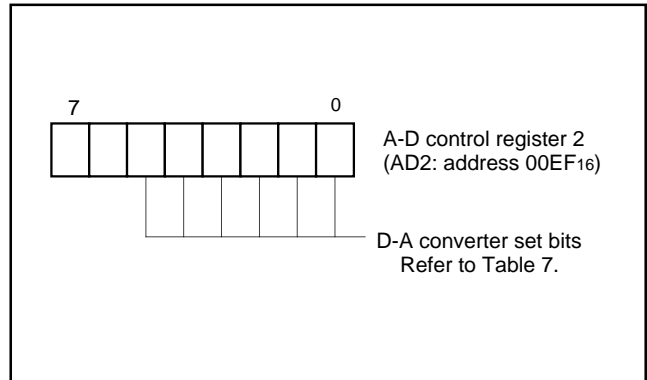


Fig. 29. Structure of A-D control register 2

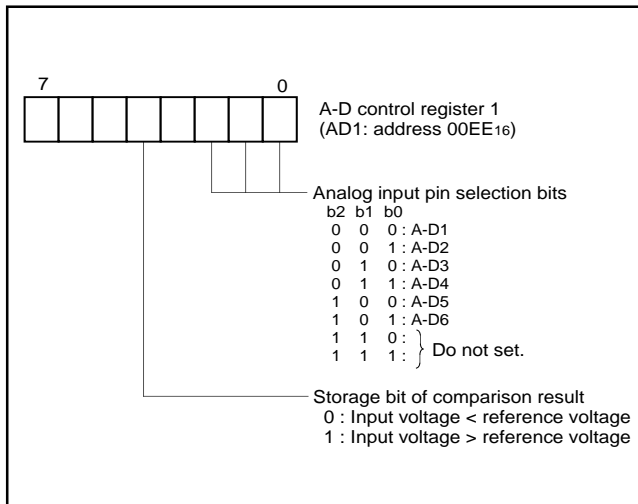


Fig. 28. Structure of A-D control register 1

Table 7. Relation between contents of A-D control register 2 and reference voltage "V<sub>ref</sub>"

A-D control register 2						Reference voltage "V <sub>ref</sub> "
Bit 5	Bit 4	Bit 3	Bit 2	Bit 1	Bit 0	
0	0	0	0	0	0	1/128 V <sub>cc</sub>
0	0	0	0	0	1	3/128 V <sub>cc</sub>
0	0	0	0	1	0	5/128 V <sub>cc</sub>
⋮	⋮	⋮	⋮	⋮	⋮	⋮
1	1	1	1	0	1	123/128 V <sub>cc</sub>
1	1	1	1	1	0	125/128 V <sub>cc</sub>
1	1	1	1	1	1	127/128 V <sub>cc</sub>

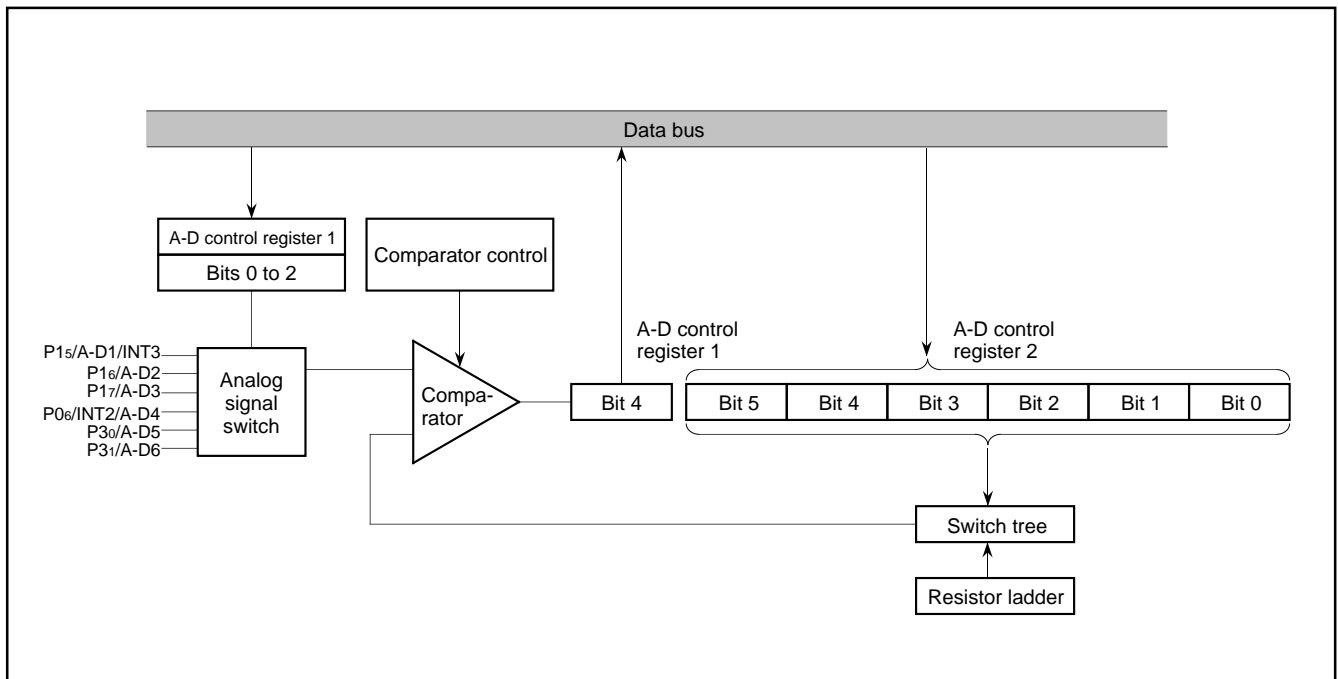


Fig. 30. A-D comparator block diagram



**CRT DISPLAY FUNCTIONS**

**(1) Outline of CRT Display Functions**

Table 8 outlines the CRT display functions of the M37221M6-XXXSP. The M37221M6-XXXSP incorporates a CRT display control circuit of 24 characters X 2 lines. CRT display is controlled by the CRT control register. Up to 256 kinds of characters can be displayed. The colors can be specified for each character and up to 4 kinds of colors can be displayed on one screen. A combination of up to 7 colors can be obtained by using each output signal (R, G, and B).

Characters are displayed in a 12 X 16 dots configuration to obtain smooth character patterns (refer to Figure 31).

The following shows the procedure how to display characters on the CRT screen.

- ① Write the display character code in the display RAM.
- ② Specify the display color by using the color register.
- ③ Write the color register in which the display color is set in the display RAM.
- ④ Specify the vertical position by using the vertical position register.
- ⑤ Specify the character size by using the character size register.
- ⑥ Specify the horizontal position by using the horizontal position register.
- ⑦ Write the display enable bit to the designated block display flag of the CRT control register. When this is done, the CRT display starts according to the input of the VSYNC signal.

The CRT display circuit has an extended display mode. This mode allows multiple lines (3 lines or more) to be displayed on the screen by interrupting the display each time one line is displayed and rewriting data in the block for which display is terminated by software.

Figure 32 shows the structure of the CRT display control register. Figure 33 shows the block diagram of the CRT display control circuit.

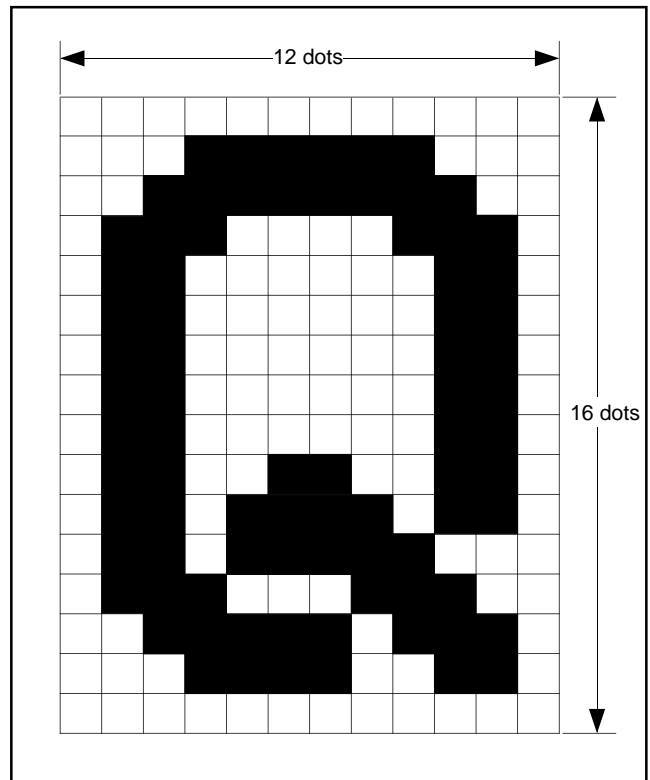


Fig. 31. CRT display character configuration

Table 8. Outline of CRT display functions

Parameter		Functions
Number of display characters		24 characters X 2 lines
Dot structure		12 X 16 dots (refer to Figure 31)
Kinds of characters		256 kinds
Kinds of character sizes		3 kinds
Color	Kinds of colors	1 screen : 4 kinds, maximum 7 kinds
	Coloring unit	A character
Display expansion		Possible (multiline display)
Raster coloring		Possible (maximum 7 kinds)
Character background coloring		Possible (a character unit, 1 screen : 4 kinds, maximum 7 kinds)

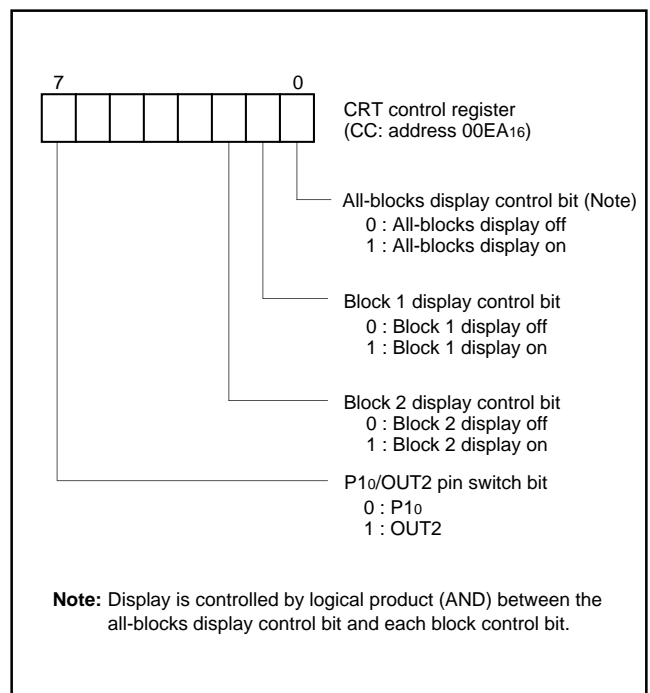


Fig. 32. Structure of CRT control register

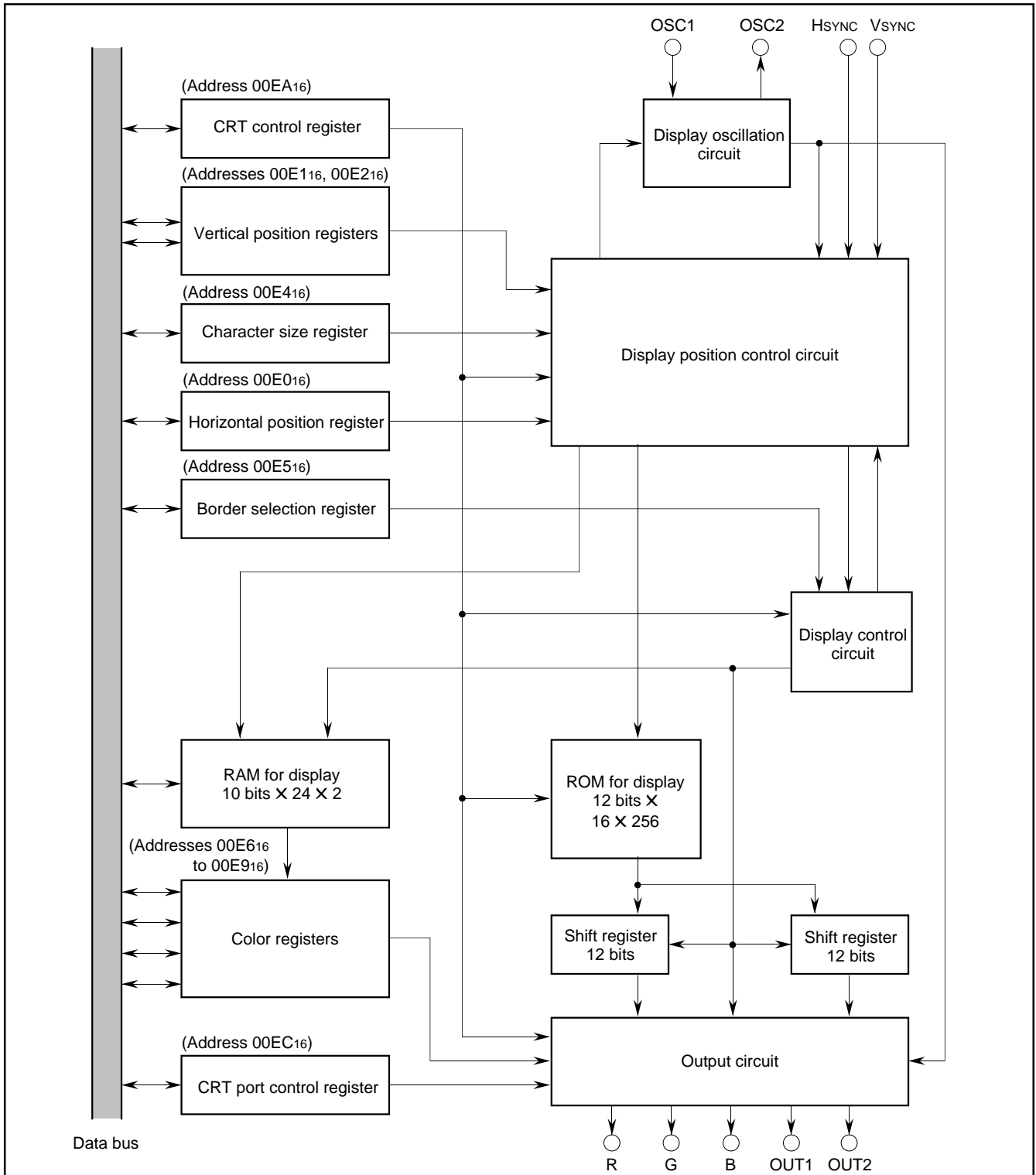


Fig. 33. Block diagram of CRT display control circuit

**(2) Display Position**

The display positions of characters are specified in units called a "block." There are 2 blocks, block 1 and block 2. Up to 24 characters can be displayed in each block (refer to (4) Memory for Display).

The display position of each block can be set in both horizontal and vertical directions by software.

The display position in the horizontal direction can be selected for all blocks in common from 64-step display positions in units of 4Tc (Tc = oscillating cycle for display).

The display position in the vertical direction for each block can be selected from 128-step display positions in units of 4 scanning lines.

Block 2 is displayed after the display of block 1 is completed (refer to Figure 34 (a)). Accordingly, if the display of block 2 starts during the display of block 1, only block 1 is displayed. Similarly, when multiline display, block 1 is displayed after the display of block 2 is completed (refer to Figure 34 (b)).

The vertical position can be specified from 128-step positions (4 scanning lines per a step) for each block by setting values "0016" to "7F16" to bits 0 to 6 in the vertical position register (addresses 00E116 and 00E216). Figure 36 shows the structure of the vertical position register.

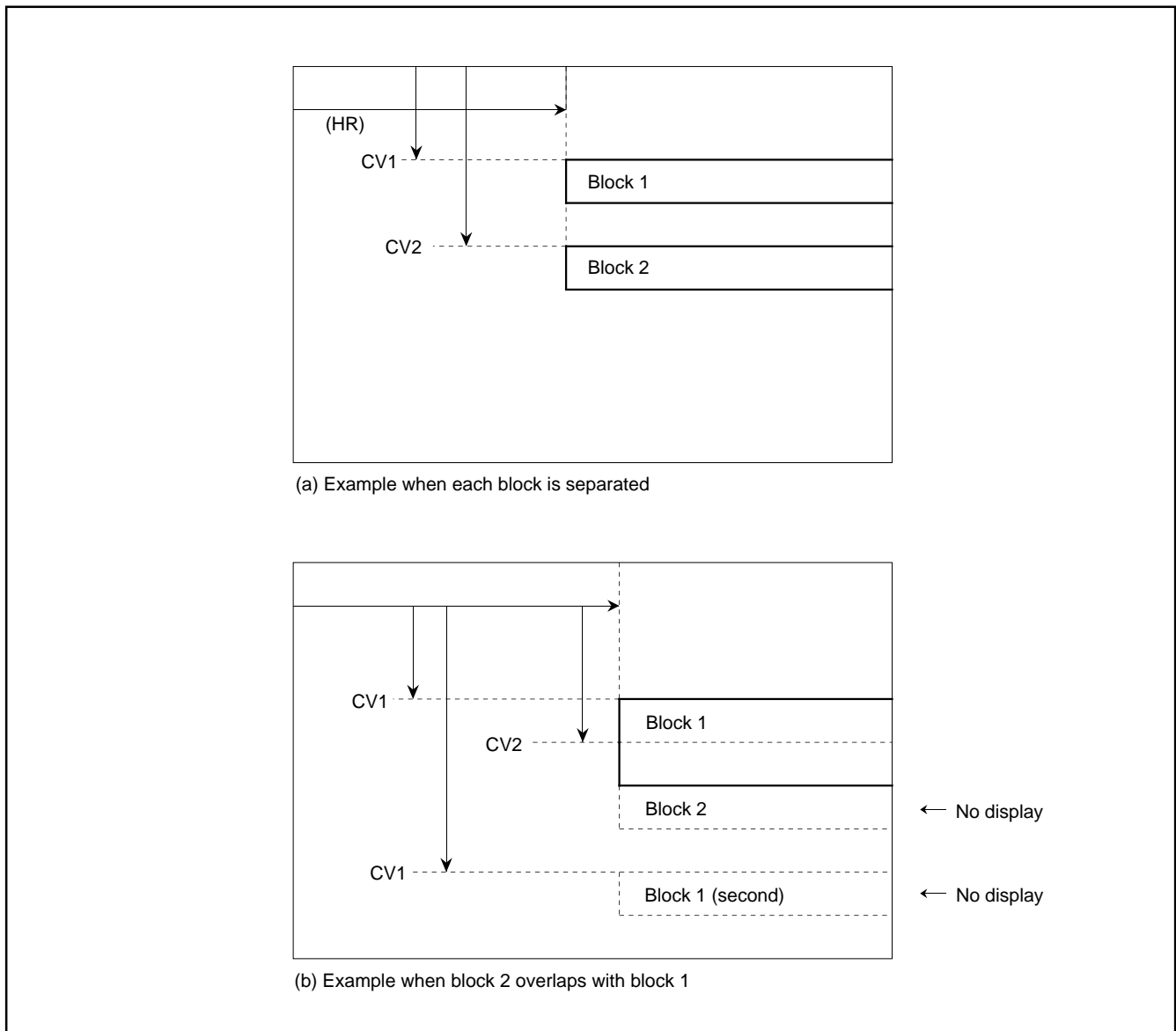


Fig. 34. Display position

The display position in the vertical direction is determined by counting the horizontal sync signal (HSYNC). At this time, it starts to count the rising edge (falling edge) of HSYNC signal from after about 1 machine cycle of rising edge (falling edge) of VSYNC signal. So interval from rising edge (falling edge) of VSYNC signal to rising edge (falling edge) of HSYNC signal needs enough time (2 machine cycles or more) for avoiding jitter. The polarity of HSYNC and VSYNC signals can select with the CRT port control register (address 00EC16). For details, refer to (8) CRT Output Pin Control.

**Note:** When bits 0 and 1 of the CRT port control register (address 00EC16) are set to "1" (negative polarity), the vertical position is determined by counting falling edge of HSYNC signal after rising edge of VSYNC control signal in the microcomputer (refer to Figure 35).

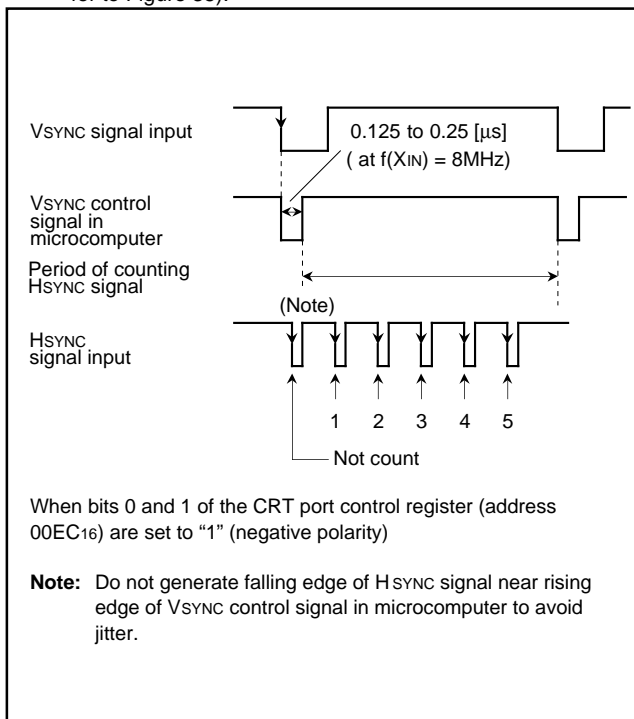


Fig. 35. Supplement explanation for display position

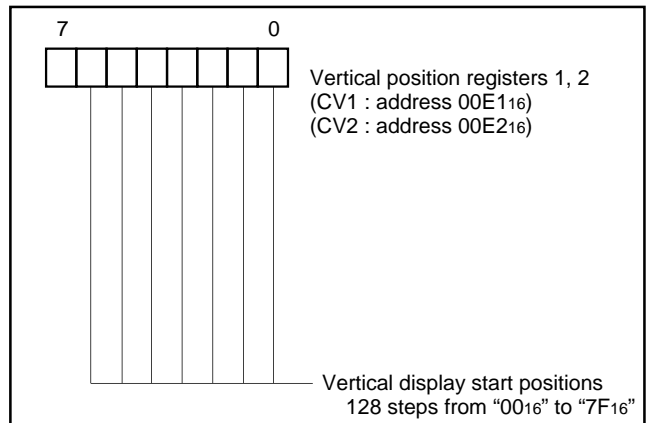


Fig. 36. Structure of vertical position register

The horizontal position is common to all blocks, and can be set in 64 steps (where 1 step is 4TC, TC being the display oscillation period) as values "0016" to "3F16" in bits 0 to 5 of the horizontal position register (address 00E016). The structure of the horizontal position register is shown in Figure 37.

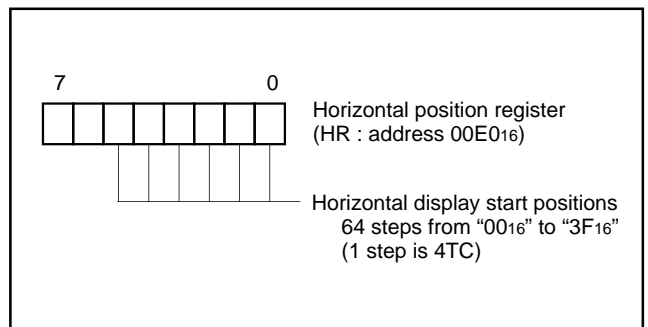


Fig. 37. Structure of horizontal position register

**(3) Character Size**

The size of characters to be displayed can be from 3 sizes for each block. Use the character size register (address 00E416) to set a character size. The character size of block 1 can be specified by using bits 0 and 1 of the character size register; the character size of block 2 can be specified by using bits 2 and 3. Figure 38 shows the structure of the character size register.

The character size can be selected from 3 sizes: minimum size, medium size and large size. Each character size is determined by the number of scanning lines in the height (vertical) direction and the oscillating cycle for display ( $T_c$ ) in the width (horizontal) direction. The minimum size consists of [1 scanning line]  $\times$  [ $1T_c$ ]; the medium size consists of [2 scanning lines]  $\times$  [ $2T_c$ ]; and the large size consists of [3 scanning lines]  $\times$  [ $3T_c$ ]. Table 9 shows the relation between the set values in the character size register and the character sizes.

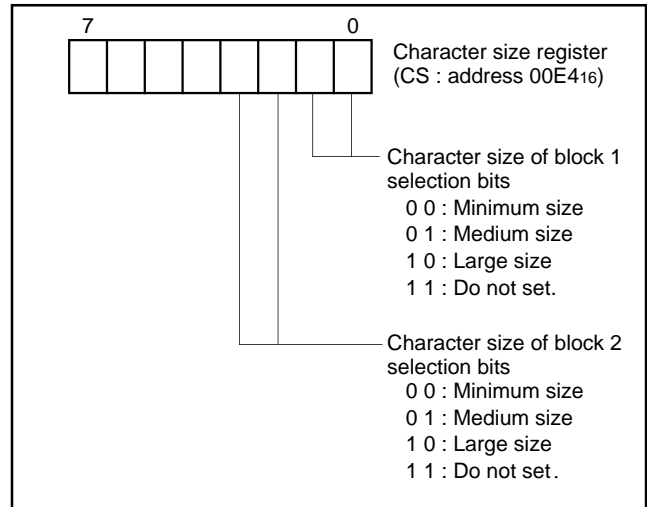


Fig. 38. Structure of character size register

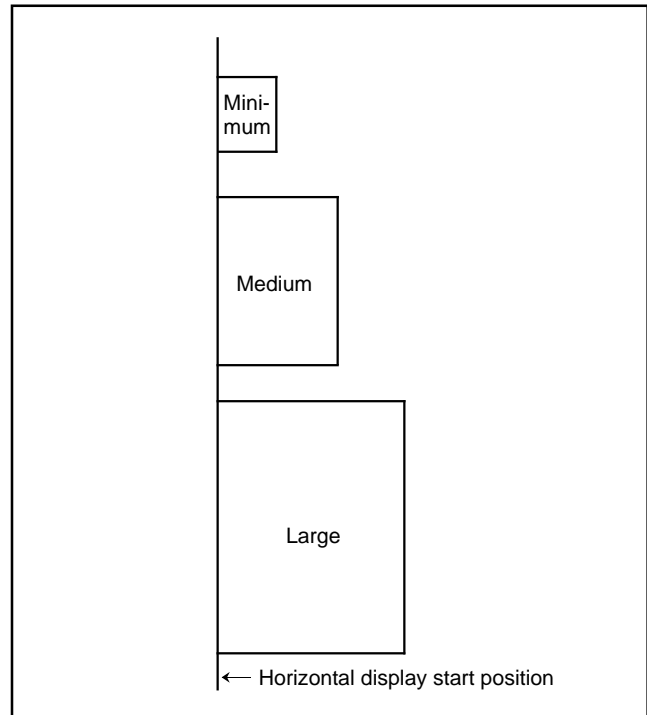


Fig. 39. Display start position of each character size (horizontal direction)

Table 9. Relation between set values in character size register and character sizes

Set values of character size register		Character size	Width (horizontal) direction $T_c$ : oscillating cycle for display	Height (vertical) direction scanning lines
CS <sub>n1</sub>	CS <sub>n0</sub>			
0	0	Minimum	$1T_c$	1
0	1	Medium	$2T_c$	2
1	0	Large	$3T_c$	3
1	1	This is not available		

**Note:** The display start position in the horizontal direction is not affected by the character size. In other words, the horizontal display start position is common to all blocks even when the character size varies with each block (refer to Figure 39).

**M37221M6-XXXSP**

SINGLE-CHIP 8-BIT CMOS MICROCOMPUTER for VOLTAGE SYNTHESIZER  
with ON-SCREEN DISPLAY CONTROLLER

**(4) Memory for Display**

There are 2 types of memory for display : CRT display ROM (addresses 10000<sub>16</sub> to 11FFF<sub>16</sub>) used to store character dot data (masked) and CRT display RAM (addresses 0600<sub>16</sub> to 06B7<sub>16</sub>) used to specify the colors of characters to be displayed. The following describes each type of display memory.

① **ROM for display (addresses 10000<sub>16</sub> to 11FFF<sub>16</sub>)**

The CRT display ROM contains dot pattern data for characters to be displayed. For characters stored in this ROM to be actually displayed, it is necessary to specify them by writing the character code inherent to each character (code determined based on the addresses in the CRT display ROM) into the CRT display RAM. The character code list is shown in Table 10.

The CRT display ROM has a capacity of 8K bytes. Since 32 bytes are required for 1 character data, the ROM can store up to 256 kinds of characters.

The CRT display ROM space is broadly divided into 2 areas. The [vertical 16 dots] X [horizontal (left side) 8 dots] data of display characters are stored in addresses 10000<sub>16</sub> to 107FF<sub>16</sub> and 11000<sub>16</sub> to 117FF<sub>16</sub> ; the [vertical 16 dots] X [horizontal (right side) 4 dots] data of display characters are stored in addresses 10800<sub>16</sub> to 10FFF<sub>16</sub> and 11800<sub>16</sub> to 11FFF<sub>16</sub> (refer to Figure 40). Note however that the high-order 4 bits in the data to be written to addresses 10800<sub>16</sub> to 10FFF<sub>16</sub> and 11800<sub>16</sub> to 11FFF<sub>16</sub> must be set to "1" (by writing data "FX<sub>16</sub>").

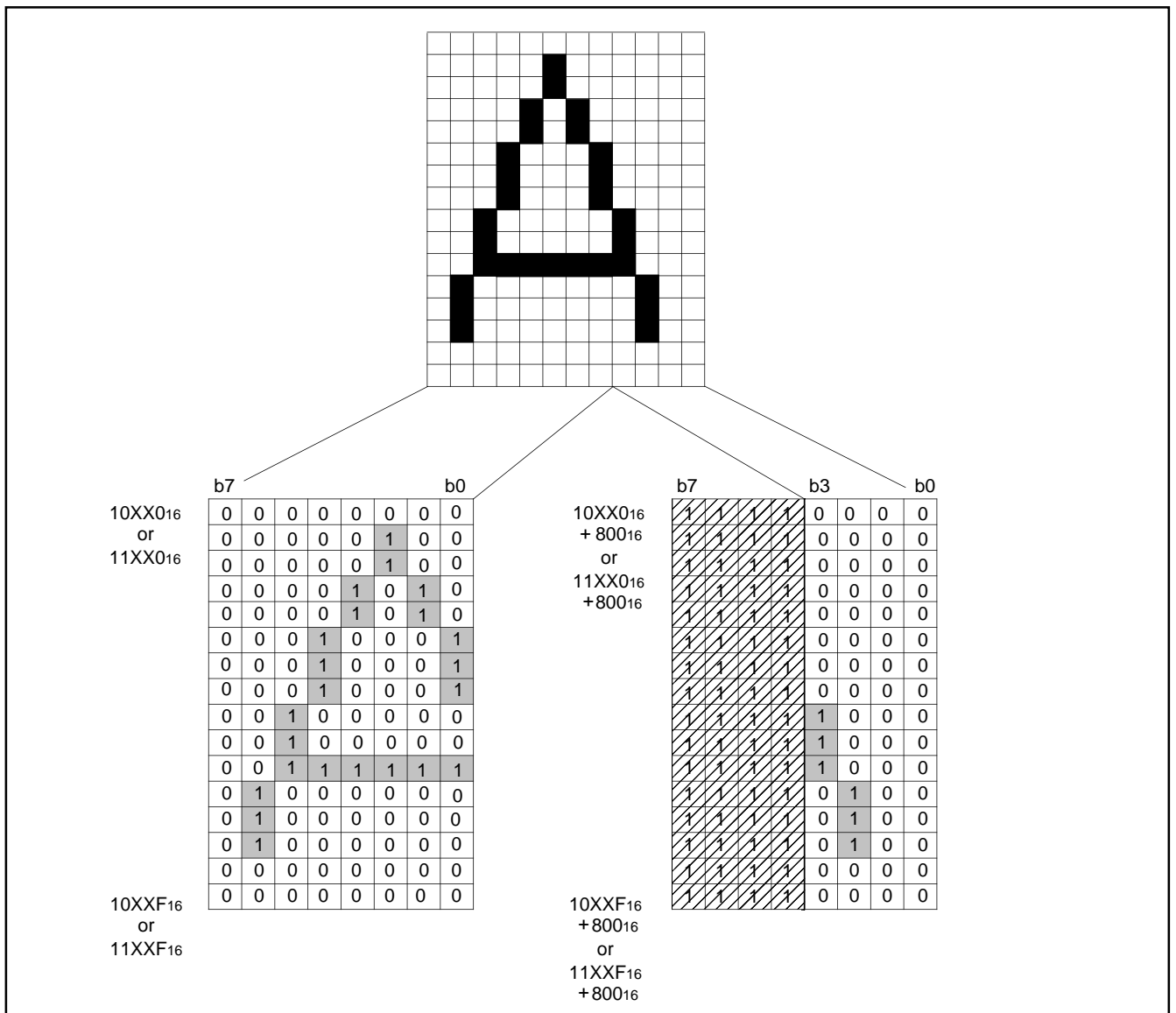


Fig. 40. Display character stored data

**M37221M6-XXXSP**

SINGLE-CHIP 8-BIT CMOS MICROCOMPUTER for VOLTAGE SYNTHESIZER  
with ON-SCREEN DISPLAY CONTROLLER

Table 10. Character code list (partially abbreviated)

Character code	Character data storage address	
	Left 8 dots lines	Right 4 dots lines
00 <sub>16</sub>	1000 <sub>16</sub> to 1000F <sub>16</sub>	1080 <sub>16</sub> to 1080F <sub>16</sub>
01 <sub>16</sub>	1001 <sub>16</sub> to 1001F <sub>16</sub>	1081 <sub>16</sub> to 1081F <sub>16</sub>
02 <sub>16</sub>	1002 <sub>16</sub> to 1002F <sub>16</sub>	1082 <sub>16</sub> to 1082F <sub>16</sub>
03 <sub>16</sub>	1003 <sub>16</sub> to 1003F <sub>16</sub>	1083 <sub>16</sub> to 1083F <sub>16</sub>
:	:	:
7E <sub>16</sub>	107E <sub>16</sub> to 107EF <sub>16</sub>	10FE <sub>16</sub> to 10FEF <sub>16</sub>
7F <sub>16</sub>	107F <sub>16</sub> to 107FF <sub>16</sub>	10FF <sub>16</sub> to 10FFF <sub>16</sub>
80 <sub>16</sub>	1100 <sub>16</sub> to 1100F <sub>16</sub>	1180 <sub>16</sub> to 1180F <sub>16</sub>
81 <sub>16</sub>	1101 <sub>16</sub> to 1101F <sub>16</sub>	1181 <sub>16</sub> to 1181F <sub>16</sub>
:	:	:
FD <sub>16</sub>	117D <sub>16</sub> to 117DF <sub>16</sub>	11FD <sub>16</sub> to 11FDF <sub>16</sub>
FE <sub>16</sub>	117E <sub>16</sub> to 117EF <sub>16</sub>	11FE <sub>16</sub> to 11FEF <sub>16</sub>
FF <sub>16</sub>	117F <sub>16</sub> to 117FF <sub>16</sub>	11FF <sub>16</sub> to 11FFF <sub>16</sub>

② RAM for display (addresses 0600<sub>16</sub> to 06B7<sub>16</sub>)

The CRT display RAM is allocated at addresses 0600<sub>16</sub> to 06B7<sub>16</sub>, and is divided into a display character code specification part and display color specification part for each block. Table 11 shows the contents of the CRT display RAM.

For example, to display 1 character position (the left edge) in block 1, write the character code in address 0600<sub>16</sub> and write the color register No. to the low-order 2 bits (bits 0 and 1) in address 0680<sub>16</sub>. The color register No. to be written here is one of the 4 color registers in which the color to be displayed is set in advance. For details on color registers, refer to (5) Color Registers. The structure of the CRT display RAM is shown in Figure 41.

Table 11. Contents of CRT display RAM

Block	Display position (from left)	Character code specification	Color specification
Block 1	1st character	0600 <sub>16</sub>	0680 <sub>16</sub>
	2nd character	0601 <sub>16</sub>	0681 <sub>16</sub>
	3rd character	0602 <sub>16</sub>	0682 <sub>16</sub>
	:	:	:
	22nd character	0615 <sub>16</sub>	0695 <sub>16</sub>
	23rd character	0616 <sub>16</sub>	0696 <sub>16</sub>
	24th character	0617 <sub>16</sub>	0697 <sub>16</sub>
	Not used	0618 <sub>16</sub> to 061F <sub>16</sub>	0698 <sub>16</sub> to 069F <sub>16</sub>
Block 2	1st character	0620 <sub>16</sub>	06A0 <sub>16</sub>
	2nd character	0621 <sub>16</sub>	06A1 <sub>16</sub>
	3rd character	0622 <sub>16</sub>	06A2 <sub>16</sub>
	:	:	:
	22nd character	0635 <sub>16</sub>	06B5 <sub>16</sub>
	23rd character	0636 <sub>16</sub>	06B6 <sub>16</sub>
	24th character	0637 <sub>16</sub>	06B7 <sub>16</sub>

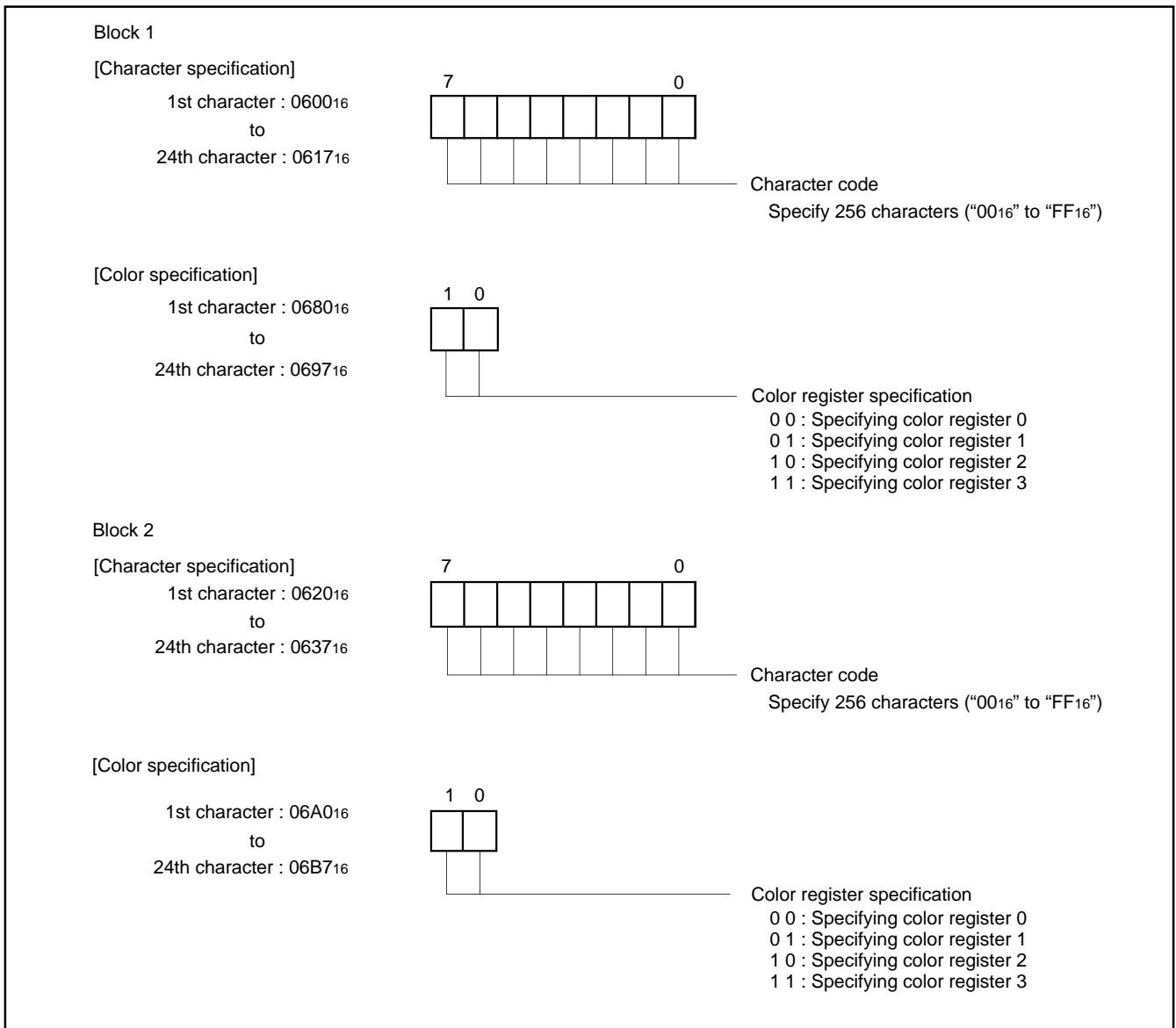


Fig. 41. Structure of CRT display RAM



**M37221M6-XXXSP**

SINGLE-CHIP 8-BIT CMOS MICROCOMPUTER for VOLTAGE SYNTHESIZER with ON-SCREEN DISPLAY CONTROLLER

**(5) Color Registers**

The color of a displayed character can be specified by setting the color to one of the 4 registers (CO0 to CO3: addresses 00E6<sub>16</sub> to 00E9<sub>16</sub>) and then specifying that color register with the CRT display RAM. There are 3 color outputs; R, G and B. By using a combination of these outputs, it is possible to set 2<sup>3</sup>-1 (when no output) = 7 colors. However, since only 4 color registers are available, up to 4 colors can be disabled at one time.

R, G and B outputs are set by using bits 1 to 3 in the color register. Bit 5 is used to specify whether a character output or blank output. Bits 4, 6 and 7 are used to specify character background color. Figure 42 shows the structure of the color register.

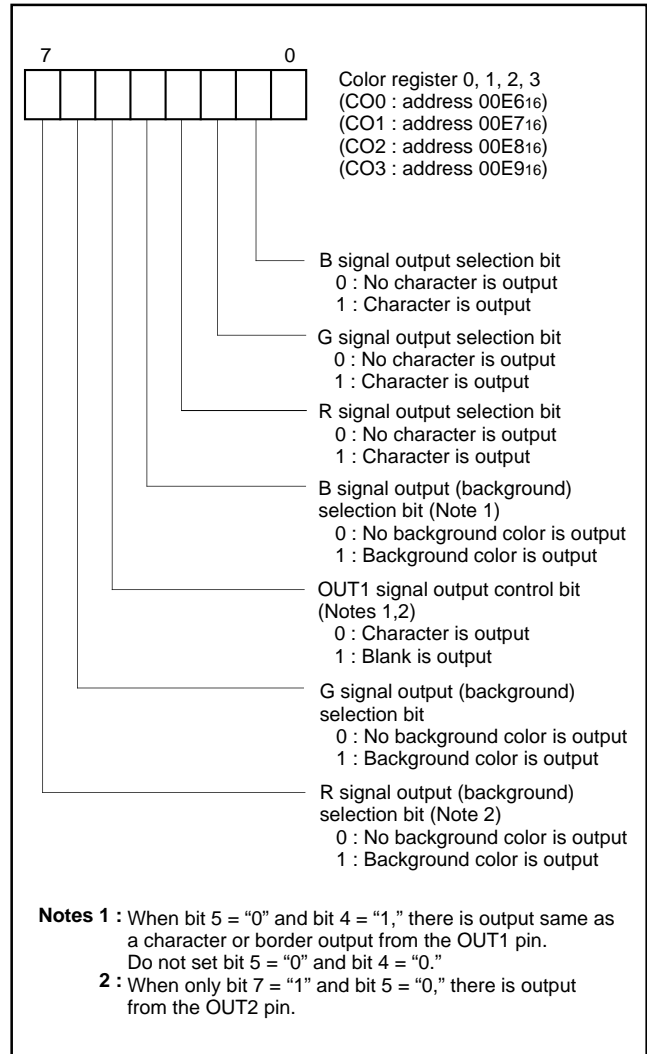


Fig. 42. Structure of color registers

M37221M6-XXXSP

SINGLE-CHIP 8-BIT CMOS MICROCOMPUTER for VOLTAGE SYNTHESIZER with ON-SCREEN DISPLAY CONTROLLER

Table 12. Display example of character background coloring (when green is set for a character and blue is set for background color)

Border selection register				Color register				G output	B output	OUT1 output	Character output	OUT2 output
MD <sub>0</sub>	CO <sub>n7</sub>	CO <sub>n6</sub>	CO <sub>n5</sub>	CO <sub>n4</sub>	CO <sub>n3</sub>	CO <sub>n2</sub>	CO <sub>n1</sub>					
0	0	X	0	1	0	1	0		No output			No output (Note 2)
			(Note 1)							Same output as character A	Video signal and character color (green) are not mixed.	
0	1	X	0	1	0	1	0		No output			
										Same output as character A	Video signal and character color (green) are not mixed.	Blank output
0	0	0	1	0	0	1	0		No output			No output (Note 2)
										Blank output	TV image of character background is not displayed.	
0	0	0	1	1	0	1	0					No output (Note 2)
									Background color	Blank output	TV image of character background is not displayed.	
1	X	X	0	1	0	1	0		No output			No output (Note 2)
										Border output (Black)	Video signal and character color (green) are not mixed.	
1	0	0	1	0	0	1	0		No output			No output (Note 2)
										Blank output	TV image of character background is not displayed.	
1	0	0	1	1	0	1	0					No output (Note 2)
									Background color - border	Blank output	TV image of character background is not displayed.	

- Notes1** : When CO<sub>n5</sub> = "0" and CO<sub>n4</sub> = "1," there is output same as a character or border output from the OUT1 pin.  
 Do not set CO<sub>n5</sub> = "0" and CO<sub>n4</sub> = "0."  
**2** :When only CO<sub>n7</sub> = "1" and CO<sub>n5</sub> = "0," there is output from the OUT2 pin.  
**3** :The portion "A" in which character dots are displayed is not mixed with any TV video signal.  
**4** :The wavy-lined arrows in the Table denote video signals.  
**5** :n : 0 to 3, X : 0 or 1

**(6) Character Border Function**

An border of 1 clock (1 dot) equivalent size can be added to a character to be displayed in both horizontal and vertical directions. The border is output from the OUT pin. In this case, set bit 5 of a color register to "0" (character is output).

Border can be specified in units of block by using the border selection register (address 00E516). Figure 43 shows the structure of the border selection register. Table 13 shows the relationship between the values set in the border selection register and the character border function.

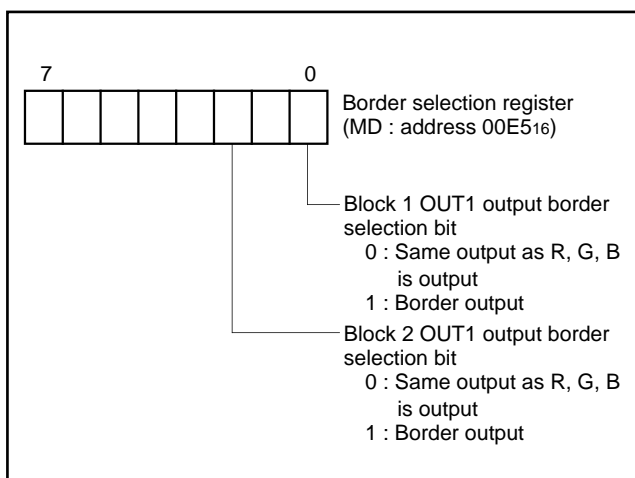


Fig. 43. Structure of border selection register

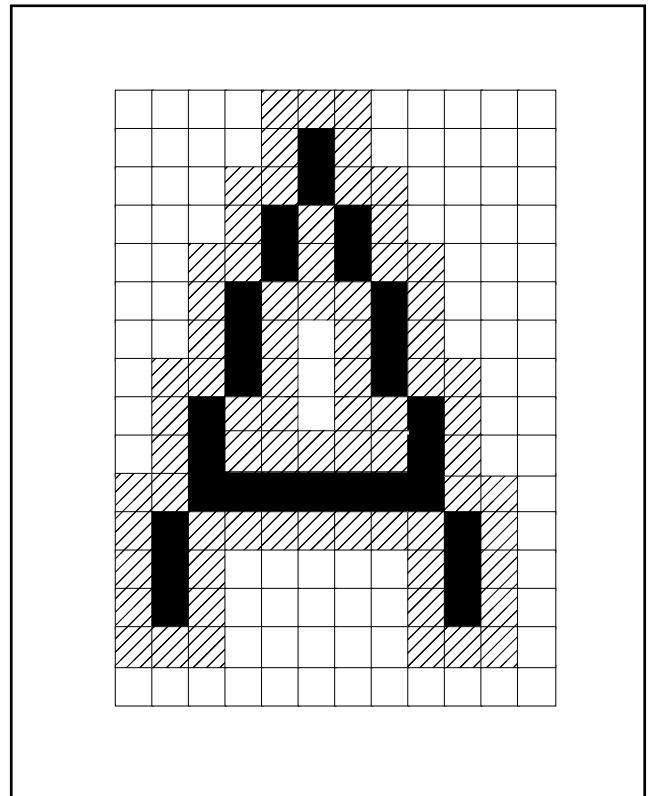


Fig. 44. Example of border

Table 13. Relationship between set value in border selection register and character border function

Border selection register MDno	Functions	Example of output
0	Ordinary	R, G, B output OUT1 output
1	Border including character	R, G, B output OUT1 output

**(7) Multiline Display**

The M37221M6-XXXSP can ordinarily display 2 lines on the CRT screen by displaying 2 blocks at different vertical positions. In addition, it can display up to 16 lines by using CRT interrupts.

A CRT interrupt request occurs at the point at which display of each block has been completed. In other words, when a scanning line reaches the point of the display position (specified by the vertical position registers) of a certain block, the character display of that block starts, and an interrupt occurs at the point at which the scanning line exceeds the block.

**Note:** A CRT interrupt does not occur at the end of display when the block is not displayed. In other words, if a block is set to off display with the display control bit of the CRT control register (address 00EA16), a CRT interrupt request does not occur (refer to Figure 45).

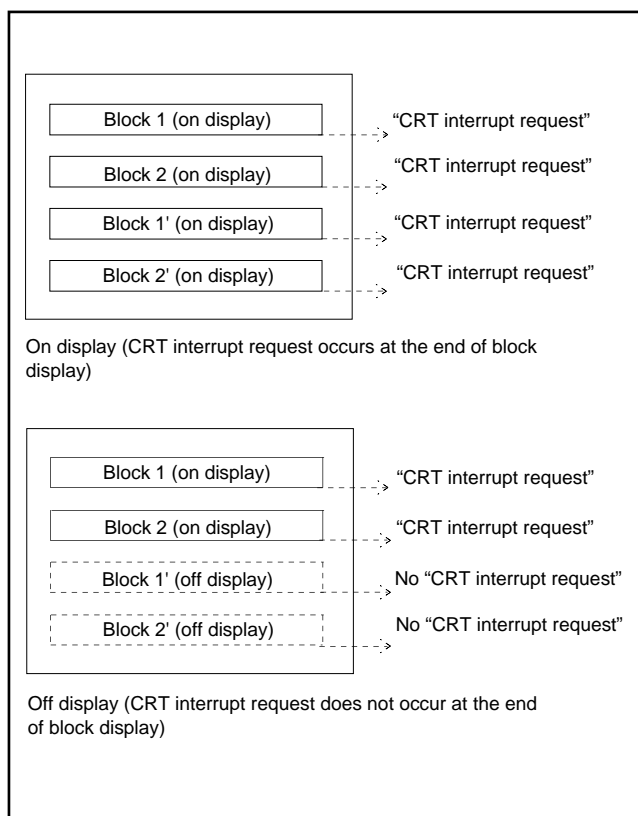


Fig. 45. Timing of CRT interrupt request

**(8) CRT Output Pin Control**

The CRT output pins R, G, B, and OUT1 can also function as ports P52, P53, P54 and P55. Set the corresponding bit of the port P5 direction register (address 00CB16) to "0" to specify these pins as CRT output pins, or set it to "1" to specify it as a general-purpose port P5 pins. The OUT2 can also function as port P10. Set bit 7 of the CRT control register (address 00EA16) to "0" to specify it as port P10, set it to "1" to specify it as OUT2 pin.

The input polarity of signals HSYNC and VSYNC and output polarity of signals R, G, B, OUT1 and OUT2 can be specified with the bits of the CRT port control register (address 00EC16). Set a bit to "0" to specify positive polarity; set it to "1" to specify negative polarity. The structure of the CRT port control register is shown in Figure 46.

**(9) Raster Coloring Function**

An entire screen (raster) can be colored by setting the bits 5 to 7 of the CRT port control register. Since each of the R, G, and B pins can be switched to raster coloring output, 7 raster colors can be obtained. If the R, G, and B pins have been set to MUTE signal output, a raster coloring signal is output in the part except a no-raster colored character (in Figure 47, a character "O") during 1 horizontal scanning period. This ensures that character colors do not mix with the raster color. In this case, MUTE signal is output from the OUT1 pin. An example in which a magenta character "I" and a red character "O" are displayed with blue raster coloring is shown in Figure 47.

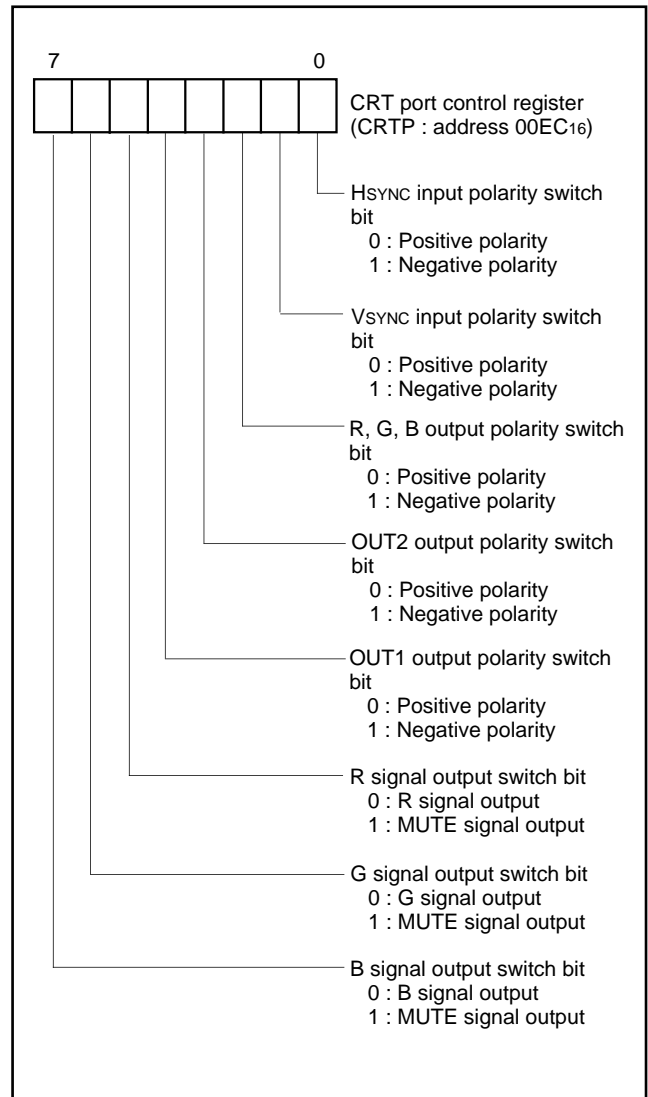


Fig. 46. Structure of CRT port control register

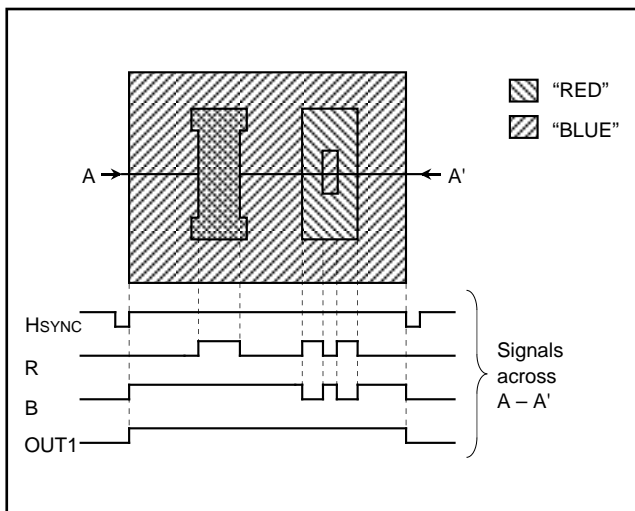


Fig. 47. Example of raster coloring

**(10) Clock for Display**

As a clock for display to be used for CRT display, it is possible to select one of the following 4 types.

- Main clock supplied from the XIN pin
- Main clock supplied from the XIN pin divided by 1.5
- Clock from the LC or RC supplied from the pins OSC1 and OSC2.
- Clock from the ceramic resonator or quartz-crystal oscillator supplied from the pins OSC1 and OSC2.

This clock for display can be selected for each block by the CRT clock selection register (address 00ED<sub>16</sub>).

When selecting the main clock, set the oscillation frequency to 8 MHz.

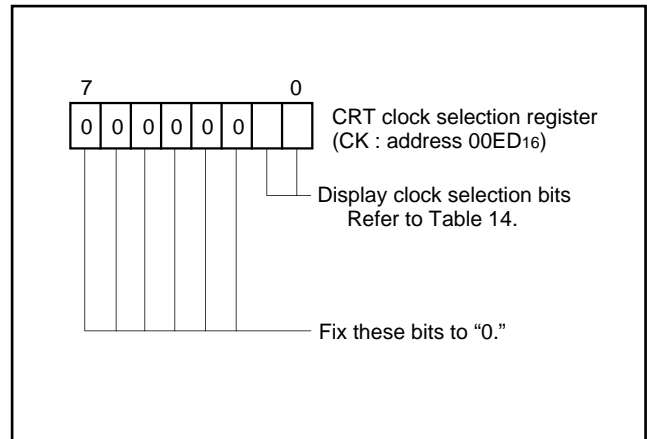


Fig. 48. Structure of CRT clock selection register

Table 14. Set value of CRT clock selection register and clock for display

b1	b0	Functions
0	0	The clock for display is supplied by connecting RC or LC across the pins OSC1 and OSC2.
0	1	Since the main clock is used as the clock for display, the oscillation frequency is limited. Because of this, the character size in width (horizontal) direction is also limited. In this case, pins OSC1 and OSC2 are also used as input ports P33 and P34 respectively.
1	0	
1	1	The clock for display is supplied by connecting the following across the pins OSC1 and OSC2. <ul style="list-style-type: none"> <li>• a ceramic resonator only for CRT display and a feedback resistor</li> <li>• a quartz-crystal oscillator only for CRT display and a feedback resistor (Note)</li> </ul>

**Note:** It is necessary to connect other ceramic resonator or quartz-crystal oscillator across the pins XIN and XOUT.

# M37221M6-XXXSP

SINGLE-CHIP 8-BIT CMOS MICROCOMPUTER for VOLTAGE SYNTHESIZER with ON-SCREEN DISPLAY CONTROLLER

## RESET CIRCUIT

The M37221M6-XXXSP is reset according to the sequence shown in Figure 49. It starts the program from the address formed by using the content of address FFFF<sub>16</sub> as the high-order address and the content of the address FFFE<sub>16</sub> as the low-order address, when the RESET pin is held at "L" level for 2 μs or more while the power source voltage is 5 V ± 10 % and the oscillation of a quartz-crystal oscillator

or a ceramic resonator is stable and then returned to "H" level. The internal state of microcomputer at reset are shown in Figure 51. An example of the reset circuit is shown in Figure 50. The reset input voltage must be kept 0.6 V or less until the power source voltage surpasses 4.5 V.

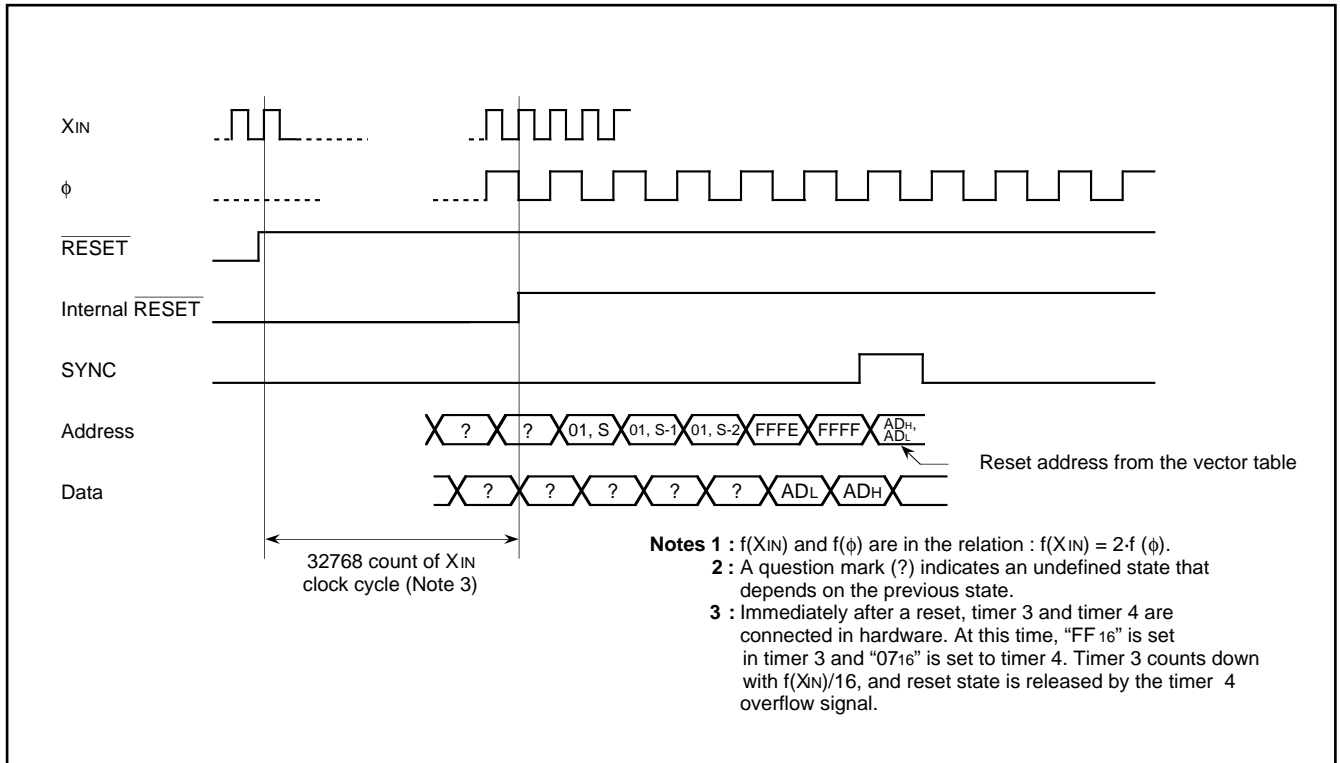


Fig. 49. Reset sequence

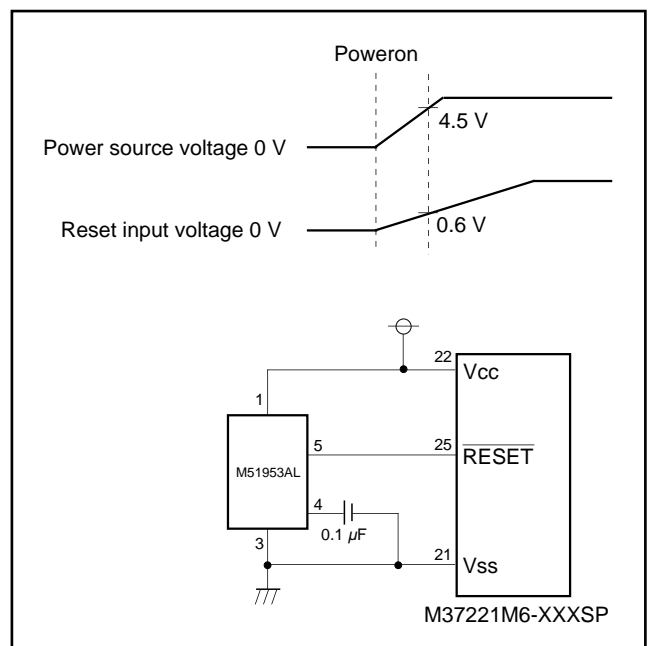


Fig. 50. Example of reset circuit

# M37221M6-XXXSP

SINGLE-CHIP 8-BIT CMOS MICROCOMPUTER for VOLTAGE SYNTHESIZER  
with ON-SCREEN DISPLAY CONTROLLER

	Address	Contents of register		Address	Contents of register
Port P0 direction register	(00C1 <sub>16</sub> )	00 <sub>16</sub>	Color register 0	(00E6 <sub>16</sub> )	00000000 <sub>16</sub>
Port P1 direction register	(00C3 <sub>16</sub> )	00 <sub>16</sub>	Color register 1	(00E7 <sub>16</sub> )	00000000 <sub>16</sub>
Port P2 direction register	(00C5 <sub>16</sub> )	00 <sub>16</sub>	Color register 2	(00E8 <sub>16</sub> )	00000000 <sub>16</sub>
Port P3 direction register	(00C7 <sub>16</sub> )	XXXXXXXX0000	Color register 3	(00E9 <sub>16</sub> )	00000000 <sub>16</sub>
Port P5	(00CA <sub>16</sub> )	XXXX* * * *	CRT control register	(00EA <sub>16</sub> )	0XXXXX0000
Port P5 direction register	(00CB <sub>16</sub> )	XX0000XX	CRT port control register	(00EC <sub>16</sub> )	00000000
Port P3 output mode control register	(00CD <sub>16</sub> )	XXXXXXXX0000	CRT clock selection register	(00ED <sub>16</sub> )	XXXXXXXX00
DA-L register	(00CF <sub>16</sub> )	XX* * * * *	A-D control register 1	(00EE <sub>16</sub> )	XXXX*XX000
PWM output control register 1	(00D5 <sub>16</sub> )	00 <sub>16</sub>	A-D control register 2	(00EF <sub>16</sub> )	XX00000000
PWM output control register 2	(00D6 <sub>16</sub> )	XXXX0000XX	Timer 1	(00F0 <sub>16</sub> )	FF <sub>16</sub>
I <sup>2</sup> C address register	(00D8 <sub>16</sub> )	00 <sub>16</sub>	Timer 2	(00F1 <sub>16</sub> )	07 <sub>16</sub>
I <sup>2</sup> C status register	(00D9 <sub>16</sub> )	0001000*	Timer 3	(00F2 <sub>16</sub> )	FF <sub>16</sub>
I <sup>2</sup> C control register	(00DA <sub>16</sub> )	00 <sub>16</sub>	Timer 4	(00F3 <sub>16</sub> )	07 <sub>16</sub>
I <sup>2</sup> C clock control register	(00DB <sub>16</sub> )	00 <sub>16</sub>	Timer 12 mode register	(00F4 <sub>16</sub> )	XXXX000000
Serial I/O mode register	(00DC <sub>16</sub> )	X0000000	Timer 34 mode register	(00F5 <sub>16</sub> )	XX00000000
Horizontal register	(00E0 <sub>16</sub> )	XX00000000	Interrupt input polarity register	(00F9 <sub>16</sub> )	XX0000XXXX
Vertical position register 1	(00E1 <sub>16</sub> )	X* * * * *	CPU mode register	(00FB <sub>16</sub> )	XXXXXXXX1XX
Vertical position register 2	(00E2 <sub>16</sub> )	X* * * * *	Interrupt request register 1	(00FC <sub>16</sub> )	0000000000
Character size register	(00E4 <sub>16</sub> )	XXXX* * * *	Interrupt request register 2	(00FD <sub>16</sub> )	XXXX0X0000
Border selection register	(00E5 <sub>16</sub> )	XXXXXX* * *	Interrupt control register 1	(00FE <sub>16</sub> )	0000000000
			Interrupt control register 2	(00FF <sub>16</sub> )	XXXX0X0000
			Processor status register	(PS)	* * * * * 1 * *
			Program counter	(PCH)	Contents of addressFFFF <sub>16</sub>
				(PCL)	Contents of addressFFFE <sub>16</sub>

**Note :** The contents of all other registers and RAM are undefined at reset, so their initial values.

\* : Undefined  
X : Unused bit

Fig. 51. Internal state of microcomputer at reset



# M37221M6-XXXSP

SINGLE-CHIP 8-BIT CMOS MICROCOMPUTER for VOLTAGE SYNTHESIZER  
with ON-SCREEN DISPLAY CONTROLLER

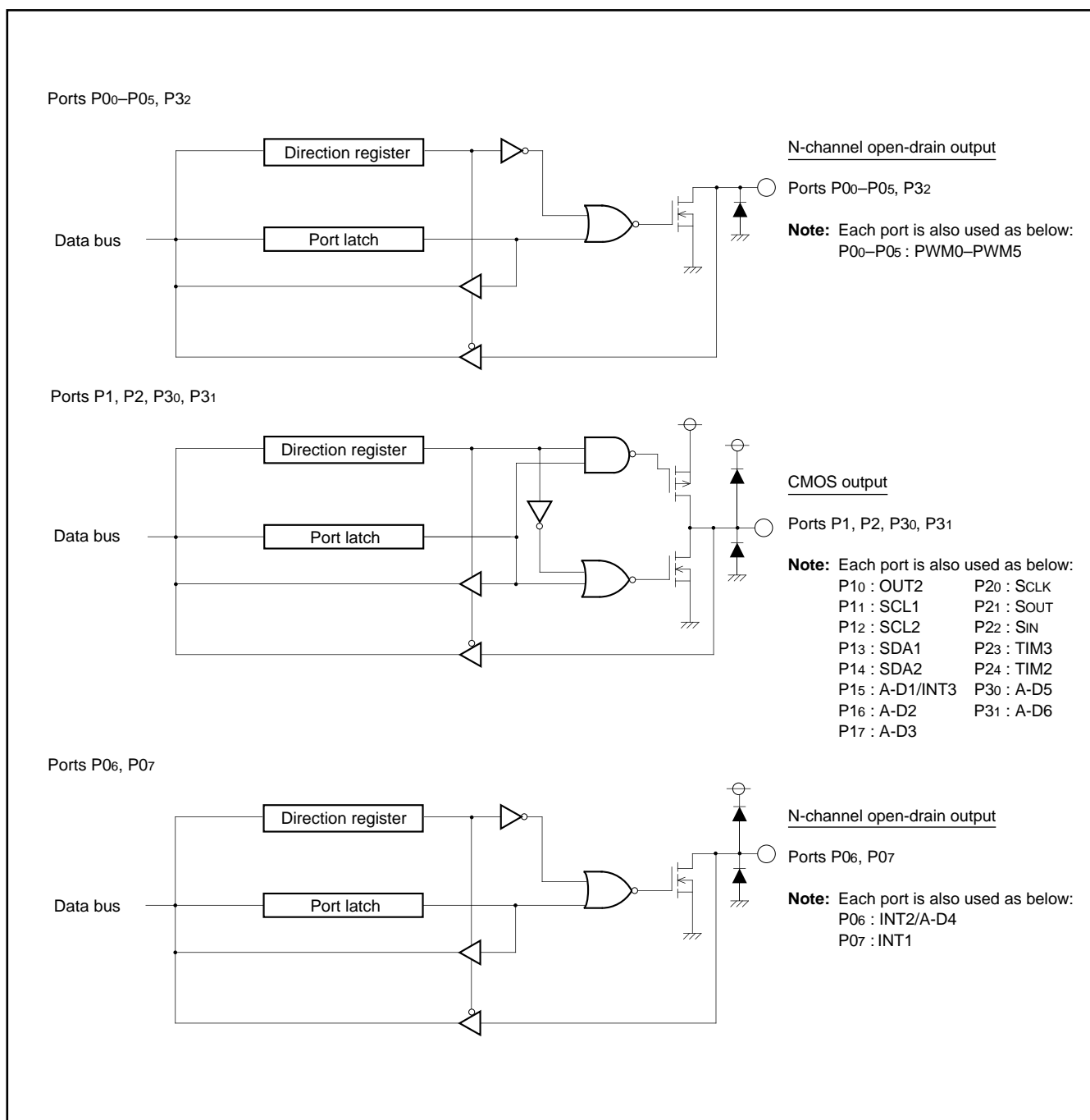


Fig. 52. I/O pin block diagram (1)

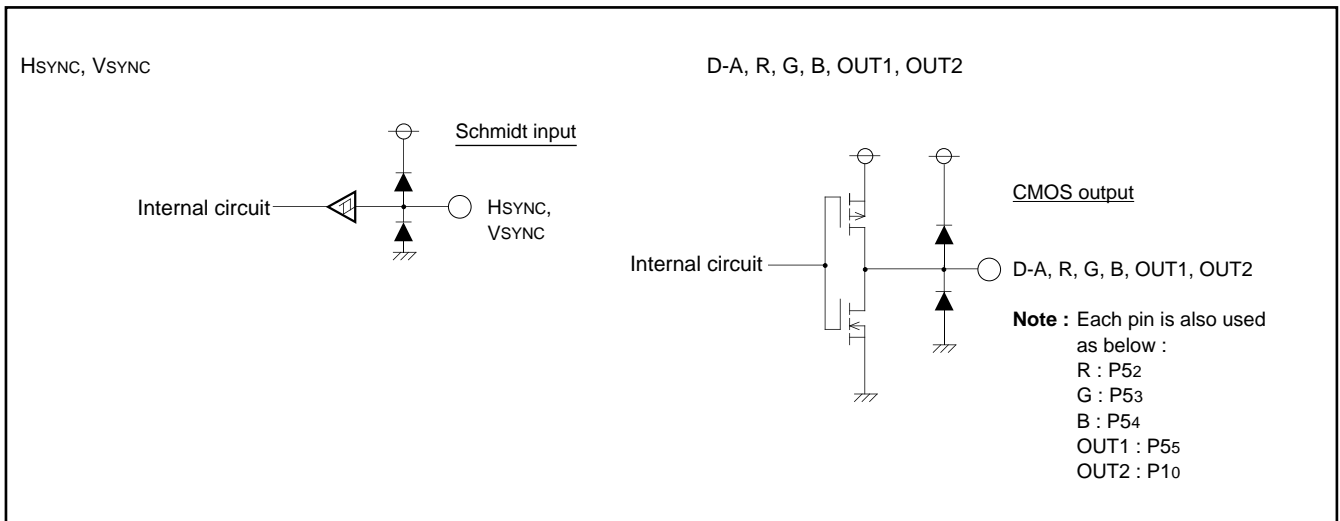


Fig. 53. I/O pin block diagram (2)

# M37221M6-XXXSP

SINGLE-CHIP 8-BIT CMOS MICROCOMPUTER for VOLTAGE SYNTHESIZER with ON-SCREEN DISPLAY CONTROLLER

## CLOCK GENERATING CIRCUIT

The built-in clock generating circuit is shown in Figure 56. When the STP instruction is executed, the internal clock  $\phi$  stops at "H" level. At the same time, timers 3 and 4 are connected in hardware and "FF16" is set in the timer 3, "0716" is set in the timer 4. Select  $f(XIN)/16$  as the timer 3 count source (set bit 0 of the timer 34 mode register to "0" before the execution of the STP instruction). And besides, set the timer 3 and timer 4 interrupt enable bits to disabled ("0") before execution of the STP instruction. The oscillator restarts when external interrupt is accepted, however, the internal clock  $\phi$  keeps its "H" level until timer 4 overflows. Because this allows time for oscillation stabilizing when a ceramic resonator or a quartz-crystal oscillator is used. When the WIT instruction is executed, the internal clock  $\phi$  stops in the "H" level but the oscillator continues running. This wait state is released when an interrupt is accepted (Note). Since the oscillator does not stop, the next instruction can be executed at once.

When returning from the stop or the wait state, to accept an interrupt, set the corresponding interrupt enable bit to "1" before executing the STP or the WIT instructions.

The circuit example using a ceramic resonator (or a quartz-crystal oscillator) is shown in Figure 54. Use the circuit constants in accordance with the resonator manufacture's recommended values. The circuit example with external clock input is shown in Figure 55. Input the clock to the XIN pin, and open the XOUT pin.

**Note:** In the wait mode, the following interrupts are invalid.

- (1) VSYNC interrupt
- (2) CRT interrupt
- (3)  $f(XIN)/4096$  interrupt
- (4) Timer 1 interrupt using  $f(XIN)/4096$  as count source
- (5) Timer 2 interrupt using P24/TIM2 pin input as count source
- (6) Timer 3 interrupt using P23/TIM3 pin input as count source
- (7) Timer 4 interrupt using  $f(XIN)/2$  as count source
- (8) Multi-master I<sup>2</sup>C-BUS interface interrupt

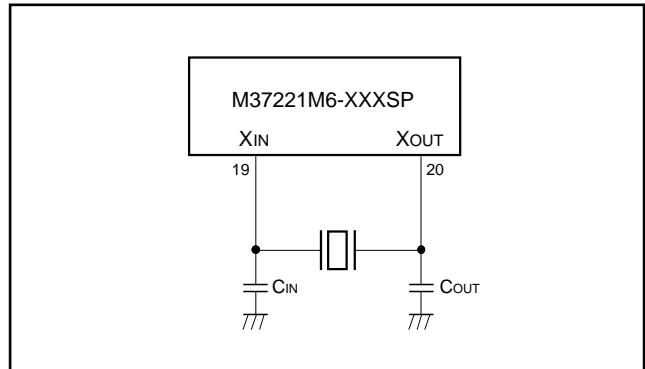


Fig. 54. Ceramic resonator circuit example

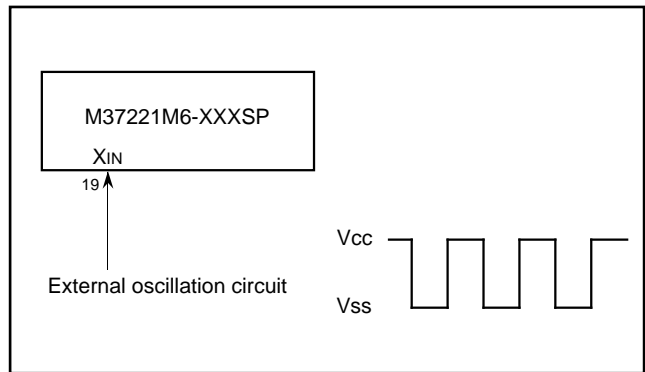


Fig. 55. External clock input circuit example

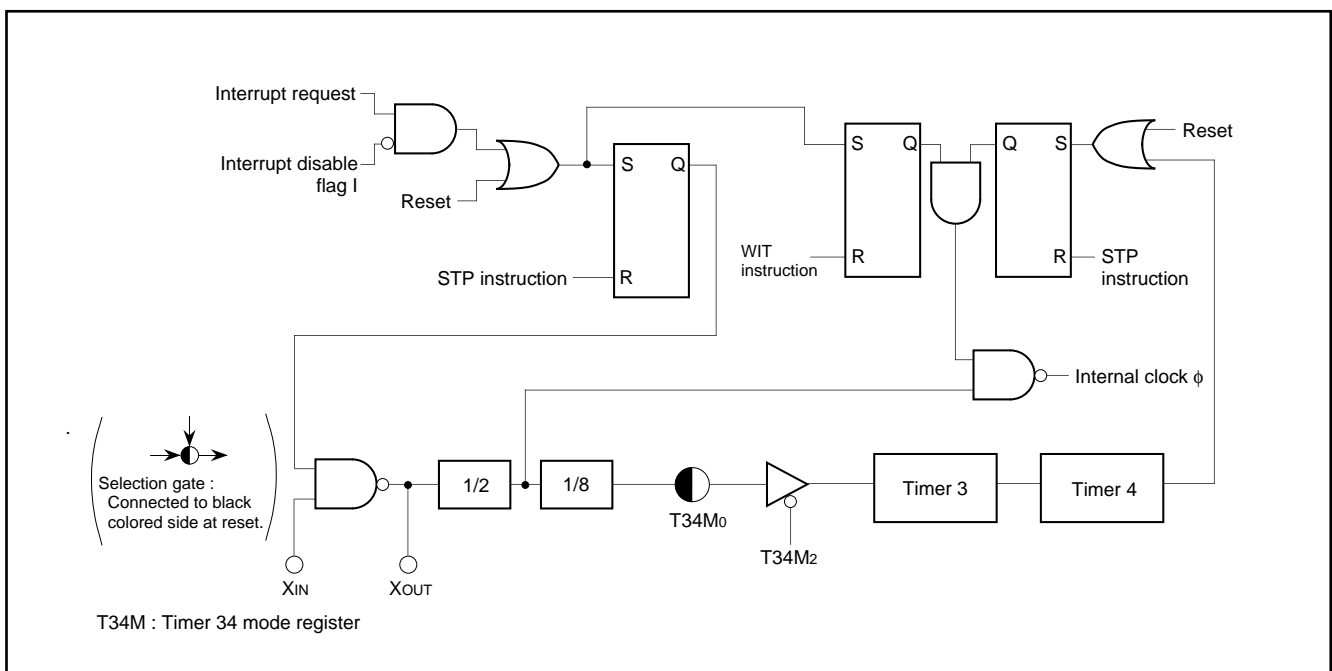


Fig. 56. Clock generating circuit block diagram

**DISPLAY OSCILLATION CIRCUIT**

The CRT display clock oscillation circuit has a built-in clock oscillation circuits, so that a clock for CRT display can be obtained simply by connecting an LC, an RC, a ceramic resonator or a quartz-crystal oscillator circuit across the pins OSC 1 and OSC 2. Select the clock for display with bits 0 and 1 of the CRT clock selection register (address 00ED16).

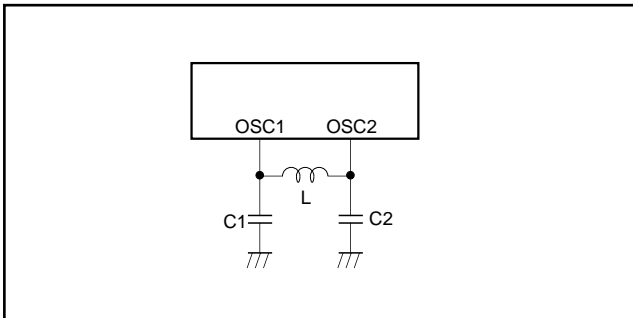


Fig. 57. Display oscillation circuit

**AUTO-CLEAR CIRCUIT**

When power source is supplied, the auto-clear function can be performed by connecting the following circuit to the RESET pin.

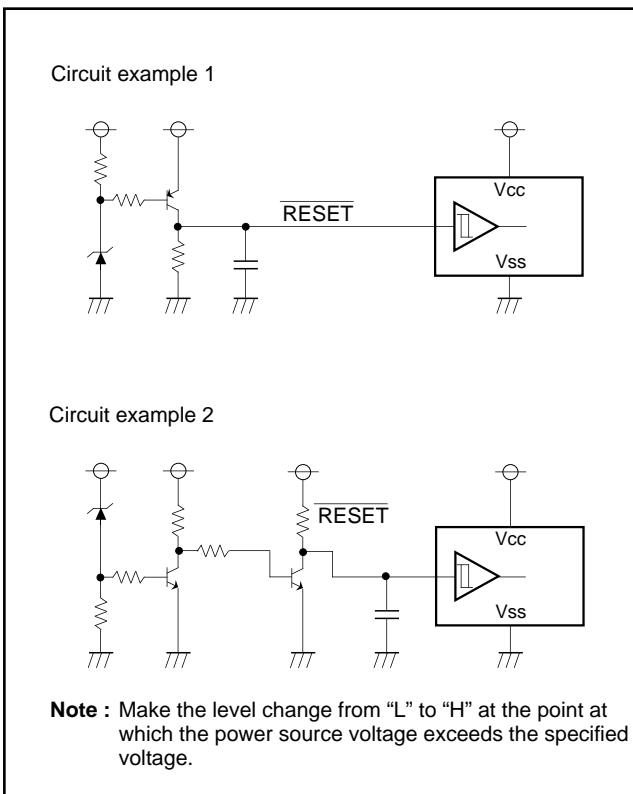


Fig. 58. Auto-clear circuit example

**ADDRESSING MODE**

The memory access is reinforced with 17 kinds of addressing modes. Refer to the SERIES 740 <Software> User's Manual for details.

**MACHINE INSTRUCTIONS**

There are 71 machine instructions. Refer to the SERIES 740 <Software> User's Manual for details.

**PROGRAMMING NOTES**

- (1) The divide ratio of the timer is  $1/(n+1)$ .
- (2) Even though the BBC and BBS instructions are executed immediately after the interrupt request bits are modified (by the program), those instructions are only valid for the contents before the modification. At least one instruction cycle (such as an NOP) between the modification of the interrupt request bits and the execution of the BBC and BBS instructions.
- (3) After the ADC and SBC instructions are executed (in decimal mode), one instruction cycle (such as an NOP) is needed before the SEC, CLC, or CLD instruction is executed.
- (4) An NOP instruction is needed immediately after the execution of a PLP instruction.
- (5) In order to avoid noise and latch-up, connect a bypass capacitor ( $\approx 0.1 \mu\text{F}$ ) directly between the Vcc pin-Vss pin and the Vcc pin-CNVss pin using a thick wire.

**DATA REQUIRED FOR MASK ORDERS**

The following are necessary when ordering a mask ROM production:

- (1) Mask ROM Order Confirmation Form
- (2) Mask Specification Form
- (3) Data to be written to ROM, in EPROM form (32-pin DIP type 27C101 three identical copies)

## M37221M6-XXXSP

SINGLE-CHIP 8-BIT CMOS MICROCOMPUTER for VOLTAGE SYNTHESIZER  
with ON-SCREEN DISPLAY CONTROLLER

## ABSOLUTE MAXIMUM RATINGS

Symbol	Parameter	Conditions	Ratings	Unit
VCC	Power source voltage VCC	All voltages are based on Vss. Output transistors are cut off.	-0.3 to 6	V
Vi	Input voltage CNVss		-0.3 to 6	V
Vi	Input voltage P00-P07, P10-P17, P20-P27, P30-P34, OSC1, XIN, HSYNC, VSYNC, RESET		-0.3 to Vcc + 0.3	V
Vo	Output voltage P06, P07, P10-P17, P20-P27, P30-P32, R, G, B, OUT1, D-A, XOUT, OSC2		-0.3 to Vcc + 0.3	V
Vo	Output voltage P00-P05		-0.3 to 13	V
IOH	Circuit current R, G, B, OUT1, P10-P17, P20-P27, P30, P31, D-A		0 to 1 (Note 1)	mA
IOL1	Circuit current R, G, B, OUT1, P06, P07, P10, P15-P17, P20-P23, P30-P32, D-A		0 to 2 (Note 2)	mA
IOL2	Circuit current P11-P14		0 to 6 (Note 2)	mA
IOL3	Circuit current P00-P05		0 to 1 (Note 2)	mA
IOL4	Circuit current P24-P27		0 to 10 (Note 3)	mA
Pd	Power dissipation	Ta = 25 °C	550	mW
Topr	Operating temperature		-10 to 70	°C
Tstg	Storage temperature		-40 to 125	°C

## RECOMMENDED OPERATING CONDITIONS (Ta = -10 °C to 70 °C, VCC = 5 V ± 10 %, unless otherwise noted)

Symbol	Parameter	Limits			Unit
		Min.	Typ.	Max.	
VCC	Power source voltage (Note 4), During CPU, CRT operation	4.5	5.0	5.5	V
VSS	Power source voltage	0	0	0	V
VIH1	"H" input voltage P00-P07, P10-P17, P20-P27, P30-P34, SIN, SCLK, HSYNC, VSYNC, RESET, XIN, OSC1, TIM2, TIM3, INT1, INT2, INT3	0.8Vcc		Vcc	V
VIH2	"H" input voltage SCL1, SCL2, SDA1, SDA2 (When using I <sup>2</sup> C-BUS)	0.7Vcc		Vcc	V
VIL1	"L" input voltage P00-P07, P10-P17, P20-P27, P30-P34	0		0.4 Vcc	V
VIL2	"L" input voltage SCL1, SCL2, SDA1, SDA2 (When using I <sup>2</sup> C-BUS)	0		0.3 Vcc	V
VIL3	"L" input voltage HSYNC, VSYNC, RESET, TIM2, TIM3, INT1, INT2, INT3, XIN, OSC1, SIN, SCLK	0		0.2 Vcc	V
IOH	"H" average output current (Note 1) R, G, B, OUT1, D-A, P10-P17, P20-P27, P30, P31			1	mA
IOL1	"L" average output current (Note 2) R, G, B, OUT1, D-A, P06, P07, P10, P15-P17, P20-P27, P30-P32			2	mA
IOL2	"L" average output current (Note 2) P11-P14			6	mA
IOL3	"L" average output current (Note 2) P00-P05			1	mA
IOL4	"L" average output current (Note 3) P24-P27			10	mA
fCPU	Oscillation frequency (for CPU operation) (Note 5) XIN	7.9	8.0	8.1	MHz
fCRT	Oscillation frequency (for CRT display) (Note 5) OSC1	5.0		8.0	MHz
fhs1	Input frequency TIM2, TIM3			100	kHz
fhs2	Input frequency SCLK			1	MHz
fhs3	Input frequency SCL1, SCL2			400	kHz

**Notes 1:** The total current that flows out of the IC must be 20 mA (max.).

**2:** The total input current to IC (IOL1 + IOL2 + IOL3) must be 30 mA or less.

**3:** The total average input current for ports P24-P27 to IC must be 20 mA or less.

**4:** Connect 0.1 μF or more capacitor externally across the power source pins VCC-VSS so as to reduce power source noise. Also connect 0.1 μF or more capacitor externally across the pins VCC-CNVSS.

**5:** Use a quartz-crystal oscillator or a ceramic resonator for the CPU oscillation circuit.

**M37221M6-XXXSP**

SINGLE-CHIP 8-BIT CMOS MICROCOMPUTER for VOLTAGE SYNTHESIZER  
with ON-SCREEN DISPLAY CONTROLLER

**ELECTRIC CHARACTERISTICS** ( $V_{CC} = 5\text{ V} \pm 10\%$ ,  $V_{SS} = 0\text{ V}$ ,  $f(X_{IN}) = 8\text{ MHz}$ ,  $T_a = -10\text{ }^\circ\text{C}$  to  $70\text{ }^\circ\text{C}$ , unless otherwise noted)

Symbol	Parameter		Test conditions		Limits			Unit
					Min.	Typ.	Max.	
I <sub>CC</sub>	Power source current	System operation	$V_{CC} = 5.5\text{ V}$ , $f(X_{IN}) = 8\text{ MHz}$	CRT OFF		20	40	mA
				CRT ON		30	60	
	Stop mode	$V_{CC} = 5.5\text{ V}$ , $f(X_{IN}) = 0$			300	$\mu\text{A}$		
VOH	"H" output voltage	R, G, B, OUT1, D-A, P10–P17, P20–P27, P30, P31	$V_{CC} = 4.5\text{ V}$ $I_{OH} = -0.5\text{ mA}$		2.4			V
VOL	"L" output voltage	R, G, B, OUT1, D-A, P00–P07, P10, P15–P17, P20–P23, P30–P32	$V_{CC} = 4.5\text{ V}$ $I_{OL} = 0.5\text{ mA}$				0.4	V
	"L" output voltage	P11–P14	$V_{CC} = 4.5\text{ V}$	$I_{OL} = 3\text{ mA}$			0.4	
				$I_{OL} = 6\text{ mA}$			0.6	
	"L" output voltage	P24–P27	$V_{CC} = 4.5\text{ V}$ $I_{OL} = 10.0\text{ mA}$				3.0	
V <sub>T+</sub> –V <sub>T-</sub>	Hysteresis	RESET	$V_{CC} = 5.0\text{ V}$			0.5	0.7	V
	Hysteresis (Note)	HSYNC, VSYNC, TIM2, TIM3, INT1, INT2, INT3, SCL1, SCL2, SDA1, SDA2, SIN, SCLK	$V_{CC} = 5.0\text{ V}$			0.5	1.3	
I <sub>IzH</sub>	"H" input leak current	RESET, P00–P07, P10–P17, P20–P27, P30–P34, HSYNC, VSYNC	$V_{CC} = 5.5\text{ V}$ $V_I = 5.5\text{ V}$				5	$\mu\text{A}$
I <sub>IzL</sub>	"L" input leak current	RESET, P00–P07, P10–P17, P20–P27, P30–P34, HSYNC, VSYNC	$V_{CC} = 5.5\text{ V}$ $V_I = 0\text{ V}$				5	$\mu\text{A}$
I <sub>OzH</sub>	"H" output leak current	P00–P05	$V_{CC} = 5.5\text{ V}$ $V_O = 12\text{ V}$				10	$\mu\text{A}$
R <sub>BS</sub>	I <sup>2</sup> C-BUS-BUS switch connection resistor (between SCL1 and SCL2, SDA1 and SDA2)		$V_{CC} = 4.5\text{ V}$				130	$\Omega$

**Note:** P06, P07, P15, P23, P24 have the hysteresis when these pins are used as interrupt input pins or timer input pins. P20–P22 have the hysteresis when these pins are used as serial I/O pins. P11–P14 have the hysteresis when these pins are used as multi-master I<sup>2</sup>C-BUS interface pins.

# M37221M6-XXXSP

SINGLE-CHIP 8-BIT CMOS MICROCOMPUTER for VOLTAGE SYNTHESIZER  
with ON-SCREEN DISPLAY CONTROLLER

## A-D COMPARATOR CHARACTERISTICS

(VCC = 5 V ± 10 %, VSS = 0 V, f(XIN) = 8 MHz, Ta = -10 °C to 70 °C, unless otherwise noted)

Symbol	Parameter	Test conditions	Limits			Unit
			Min.	Typ.	Max.	
—	Resolution				6	bits
—	Absolute accuracy		0	±1	±2	LSB

**Note:** When VCC = 5 V, 1 LSB = 5/64 V.

## MULTI-MASTER I<sup>2</sup>C-BUS BUS LINE CHARACTERISTICS

Symbol	Parameter	Standard clock mode		High-speed clock mode		Unit
		Min.	Max.	Min.	Max.	
tBUF	Bus free time	4.7		1.3		μs
tHD:STA	Hold time for START condition	4.0		0.6		μs
tLOW	“L” period of SCL clock	4.7		1.3		μs
tR	Rising time of both SCL and SDA signals		1000	20+0.1Cb	300	ns
tHD:DAT	Data hold time	0		0	0.9	μs
tHIGH	“H” period of SCL clock	4.0		0.6		μs
tF	Falling time of both SCL and SDA signals		300	20+0.1Cb	300	ns
tSU:DAT	Data set-up time	250		100		ns
tSU:STA	Set-up time for repeated START condition	4.7		0.6		μs
tSU:STO	Set-up time for STOP condition	4.0		0.6		μs

**Note:** Cb = total capacitance of 1 bus line

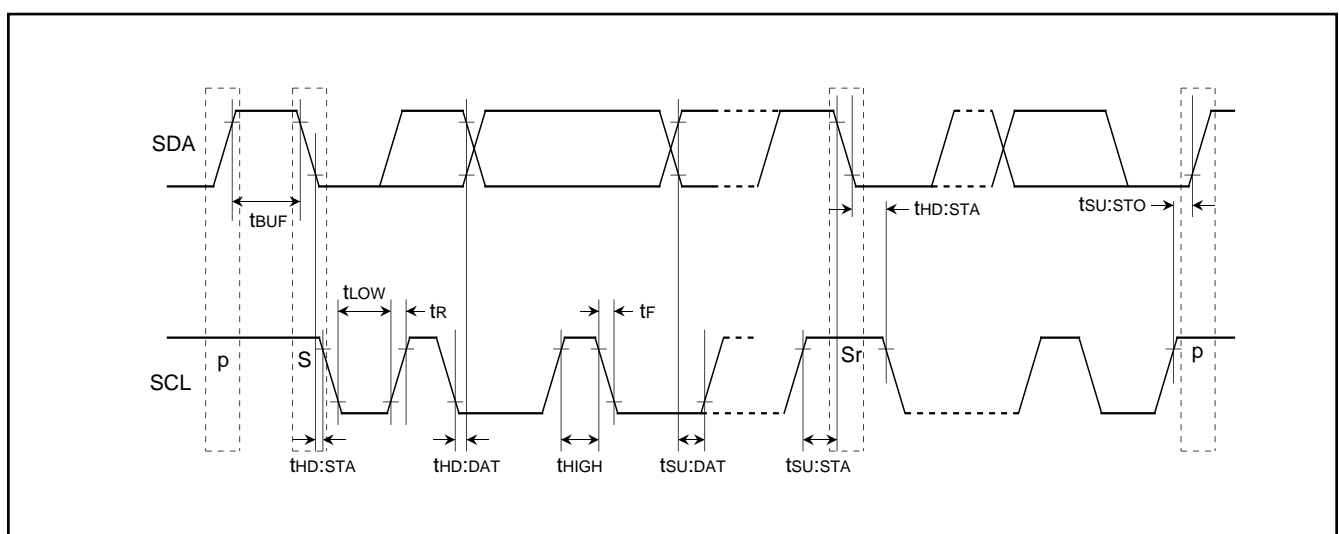


Fig. 59. Definition diagram of timing on multi-master I<sup>2</sup>C-BUS

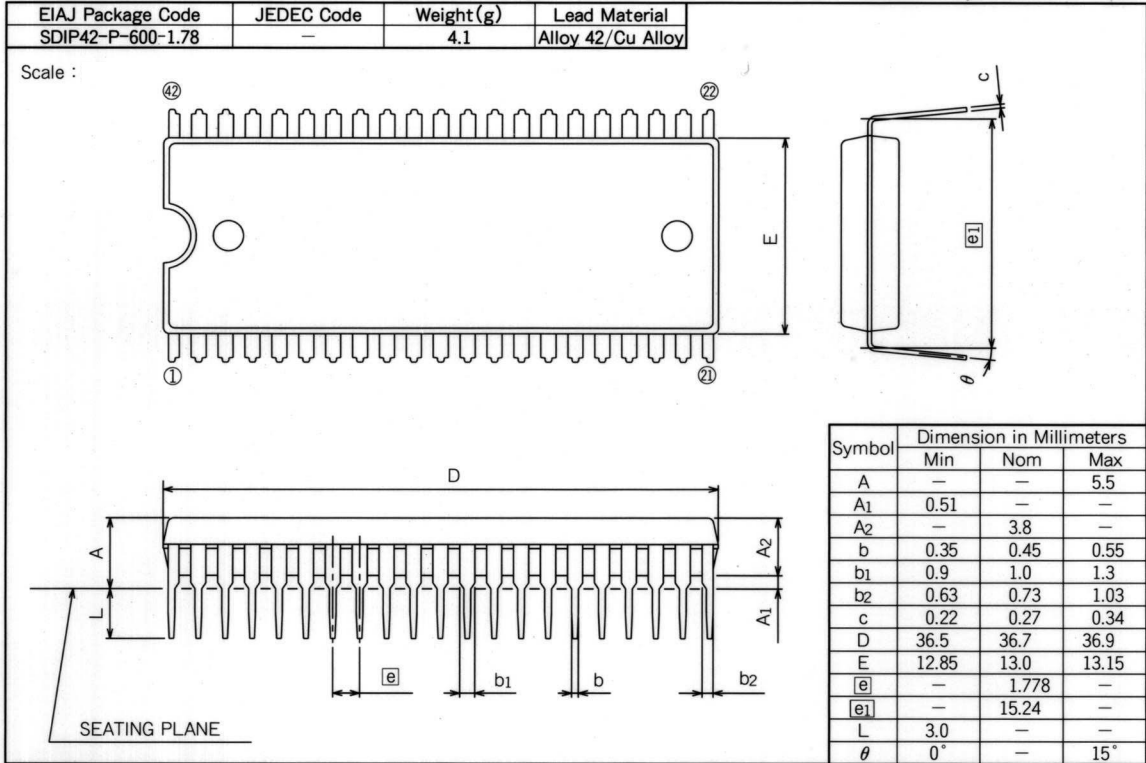
**M37221M6-XXXSP**

SINGLE-CHIP 8-BIT CMOS MICROCOMPUTER for VOLTAGE SYNTHESIZER  
with ON-SCREEN DISPLAY CONTROLLER

**PACKAGE OUTLINE**

**42P4B**

Plastic 42pin 600mil SDIP





# M37221M6-XXXSP

SINGLE-CHIP 8-BIT CMOS MICROCOMPUTER for VOLTAGE SYNTHESIZER  
with ON-SCREEN DISPLAY CONTROLLER

GZZ-SH09-46B < 52B0 >

## 740 FAMILY MASK ROM CONFIRMATION FORM SINGLE-CHIP MICROCOMPUTER M37221M6-XXXSP MITSUBISHI ELECTRIC

Mask ROM number	
-----------------	--

Receipt	Date :	
	Section head signature	Supervisor signature

Note : Please fill in all items marked \*.

* Customer	Company name	TEL ( )	Issuance signature	Submitted by	Supervisor
	Date issued	Date :			

\* 1. Confirmation

Specify the name of the product being ordered and the type of EPROMs submitted.

Three EPROMs are required for each pattern.

If at least two of the three sets of EPROMs submitted contain identical data, we will produce masks based on this data. We shall assume the responsibility for errors only if the mask ROM data on the products we produce differs from this data. Thus, extreme care must be taken to verify the data in the submitted EPROMs.

Checksum code for entire EPROM

--	--	--	--

(hexadecimal notation)

EPROM type (indicate the type used)

<input type="checkbox"/> <b>27C101</b>
EPROM address
0000 <sub>16</sub> Product name ASCII code : M37221M6-"
000F <sub>16</sub>
A000 <sub>16</sub> data
FFFF <sub>16</sub> ROM 24K bytes
10000 <sub>16</sub> Character ROM 1-a
107FF <sub>16</sub> Character ROM 2-a
10800 <sub>16</sub> Character ROM 1-b
11000 <sub>16</sub> Character ROM 1-b
117FF <sub>16</sub> Character ROM 1-b
11800 <sub>16</sub> Character ROM 1-b
11FFF <sub>16</sub>
1FFF <sub>16</sub>

- (1) Set "FF<sub>16</sub>" in the shaded area.
- (2) Write the ASCII codes that indicates the product name of "M37221M6-" to addresses 0000<sub>16</sub> to 000F<sub>16</sub>.

EPROM data check item (Refer the EPROM data and check "✓" in the appropriate box)

- Do you set "FF<sub>16</sub>" in the shaded area ? → Yes
- Do you write the ASCII codes that indicates the product name of "M37221M6-" to addresses 0000<sub>16</sub> to 000F<sub>16</sub> ? → Yes

\* 2. Mark specification

Mark specification must be submitted using the correct form for the type package being ordered fill out the appropriate mark specification form (42P4B for M37221M6-XXXSP) and attach to the mask ROM confirmation form.

\* 3. Comments

# M37221M6-XXXSP

SINGLE-CHIP 8-BIT CMOS MICROCOMPUTER for VOLTAGE SYNTHESIZER  
with ON-SCREEN DISPLAY CONTROLLER

GZZ-SH09-46B <52B0 >

**740 FAMILY MASK ROM CONFIRMATION FORM  
SINGLE-CHIP MICROCOMPUTER M37221M6-XXXSP  
MITSUBISHI ELECTRIC**

**Writing the product name and character ROM data onto EPROMs**

Addresses 0000<sub>16</sub> to 000F<sub>16</sub> store the product name, and addresses 10000<sub>16</sub> to 11FFF<sub>16</sub> store the character pattern.  
If the name of the product contained in the EPROMs does not match the name on the mask ROM confirmation form, the ROM processing is disabled. Write the data correctly.

1. Inputting the name of the product with the ASCII code  
ASCII codes 'M37221M6-' are listed on the right.  
The addresses and data are in hexadecimal notation.

Address		Address	
0000 <sub>16</sub>	'M' = 4 D <sub>16</sub>	0008 <sub>16</sub>	'-' = 2 D <sub>16</sub>
0001 <sub>16</sub>	'3' = 3 3 <sub>16</sub>	0009 <sub>16</sub>	FF <sub>16</sub>
0002 <sub>16</sub>	'7' = 3 7 <sub>16</sub>	000A <sub>16</sub>	FF <sub>16</sub>
0003 <sub>16</sub>	'2' = 3 2 <sub>16</sub>	000B <sub>16</sub>	FF <sub>16</sub>
0004 <sub>16</sub>	'2' = 3 2 <sub>16</sub>	000C <sub>16</sub>	FF <sub>16</sub>
0005 <sub>16</sub>	'1' = 3 1 <sub>16</sub>	000D <sub>16</sub>	FF <sub>16</sub>
0006 <sub>16</sub>	'M' = 4 D <sub>16</sub>	000E <sub>16</sub>	FF <sub>16</sub>
0007 <sub>16</sub>	'6' = 3 6 <sub>16</sub>	000F <sub>16</sub>	FF <sub>16</sub>

2. Inputting the character ROM  
Input the character ROM data by dividing it into character ROM1 and character ROM2. For the character ROM data, see the next page and on.

# M37221M6-XXXSP

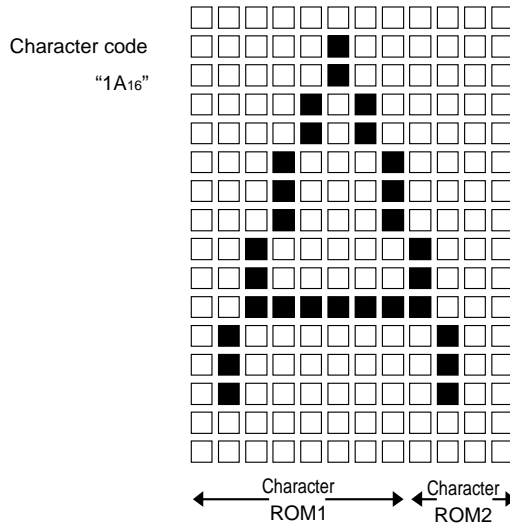
SINGLE-CHIP 8-BIT CMOS MICROCOMPUTER for VOLTAGE SYNTHESIZER  
with ON-SCREEN DISPLAY CONTROLLER

GZZ-SH09-46B< 52B0 >

## 740 FAMILY MASK ROM CONFIRMATION FORM SINGLE-CHIP MICROCOMPUTER M37221M6-XXXSP MITSUBISHI ELECTRIC

The structure of character ROM (divided of 12 X16 dots font)

Example



(Note)  
Write the character code "00<sub>16</sub>" to "7F<sub>16</sub>"  
to addresses 10000<sub>16</sub> to 10FFF<sub>16</sub>.  
Write the character code "80<sub>16</sub>" to "FF<sub>16</sub>"  
to addresses 11000<sub>16</sub> to 11FFF<sub>16</sub>.

Example

	b7	b6	b5	b4	b3	b2	b1	b0	
0									00 <sub>16</sub>
1									04 <sub>16</sub>
2									04 <sub>16</sub>
3									0A <sub>16</sub>
4									0A <sub>16</sub>
5									11 <sub>16</sub>
6									11 <sub>16</sub>
7									11 <sub>16</sub>
8									20 <sub>16</sub>
9									20 <sub>16</sub>
A									3F <sub>16</sub>
B									40 <sub>16</sub>
C									40 <sub>16</sub>
D									40 <sub>16</sub>
E									00 <sub>16</sub>
F									00 <sub>16</sub>

Example

	b7	b6	b5	b4	b3	b2	b1	b0	
0									F0 <sub>16</sub>
1									F0 <sub>16</sub>
2									F0 <sub>16</sub>
3									F0 <sub>16</sub>
4									F0 <sub>16</sub>
5									F0 <sub>16</sub>
6									F0 <sub>16</sub>
7									F0 <sub>16</sub>
8									F8 <sub>16</sub>
9									F8 <sub>16</sub>
A									F8 <sub>16</sub>
B									F4 <sub>16</sub>
C									F4 <sub>16</sub>
D									F4 <sub>16</sub>
E									F0 <sub>16</sub>
F									F0 <sub>16</sub>

# M37221M6-XXXSP

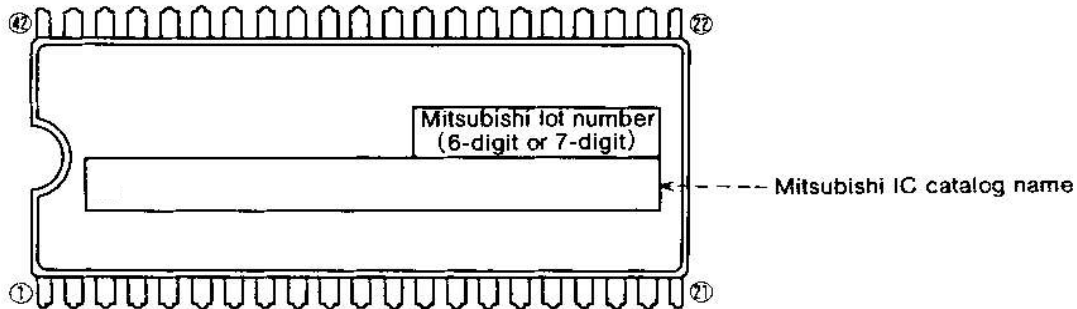
SINGLE-CHIP 8-BIT CMOS MICROCOMPUTER for VOLTAGE SYNTHESIZER  
with ON-SCREEN DISPLAY CONTROLLER

## 42P4B (42-PIN SHRINK DIP) MARK SPECIFICATION FORM

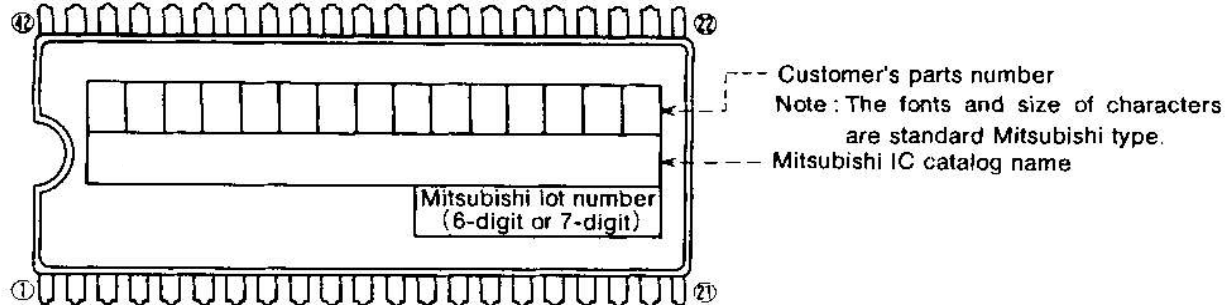
Mitsubishi IC catalog name

Please choose one of the marking types below (A, B, C), and enter the Mitsubishi IC catalog name and the special mark (if needed).

### A. Standard Mitsubishi Mark



### B. Customer's Parts Number + Mitsubishi Catalog Name



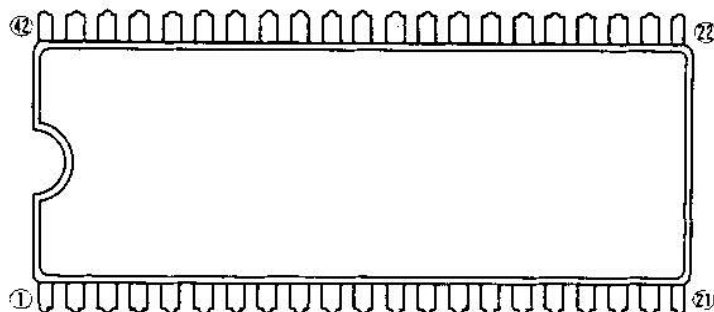
Note 1: The mark field should be written right aligned.

2: The fonts and size of characters are standard Mitsubishi type.

3: Customer's parts number can be up to 15 characters:

Only 0~9, A~Z, +, -, /, (, ), &, ©, . (period), and , (comma) are usable.

### C. Special Mark Required



Note 1: If the special mark is to be printed, indicate the desired layout of the mark in the upper figure. The layout will be duplicated as close as possible. Mitsubishi lot number (6-digit or 7-digit) and mask ROM number (3-digit) are always marked.

2: If the customer's trade mark logo must be used in the special mark, check the box below. Please submit a clean original of the logo.

For the new special character fonts a clean font original (ideally logo drawing) must be submitted.

Special logo required

The standard Mitsubishi font is used for all characters except for a logo.

**MITSUBISHI DATA BOOK**  
**SINGLE-CHIP 8-BIT MICROCOMPUTERS Vol.3**

---

Sep. First Edition 1996 H-DF319-B

Edited by  
Committee of editing of Mitsubishi Semiconductor Data Book

Published by  
Mitsubishi Electric Corp., Semiconductor Division

---

This book, or parts thereof, may not be reproduced in any form without permission of Mitsubishi Electric Corporation.

©1996 MITSUBISHI ELECTRIC CORPORATION Printed in Japan

## REVISION DESCRIPTION LIST

M37221M6–XXXSP DATA SHEET

Rev. No.	Revision Description	Rev. date
1.0	First Edition	9708
2.0	Information about copyright note, revision number, release data added (last page).	971130
2.1	Correct note (P50).	980731