

**PLEASE CHECK WWW.MOLEX.COM FOR LATEST PART INFORMATION**

**Part Number:** **0192210648**  
**Status:** **Active**  
**Description:** Compression Style Ring Tongue Terminal for 4/0 AWG Wire, Stud Size 1/4", Plated, Barrel Length 19.05mm (.750")

**Documents:**

[Drawing \(PDF\)](#) [RoHS Certificate of Compliance \(PDF\)](#)

**Agency Certification**

CSA LR18689  
 UL E32244

**General**

Product Family Ring and Spade Terminals  
 Series 19221  
 Comments Heavy Duty  
 Crimp Quality Equipment Yes  
 Mil-Spec N/A  
 Product Name Battery Cable Lug  
 Type Ring

**Physical**

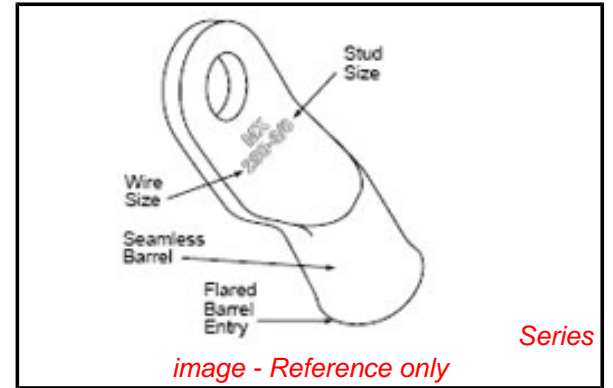
Barrel Type Closed  
 Insulation None  
 Material - Plating Mating Tin  
 Packaging Type Bag  
 Plating min: Mating (µin) 160  
 Plating min: Mating (µm) 4  
 Plating min: Termination (µin) 160  
 Plating min: Termination (µm) 4  
 Stud Size 1/4" (M6)  
 Termination Interface: Style Crimp or Compression  
 Wire Size AWG 4/0  
 Wire Size mm<sup>2</sup> 96.3 - 117.0

**Material Info**

Old Part Number BCL-4014-PL

**Reference - Drawing Numbers**

Sales Drawing SD-19221-011



**EU RoHS**

**ELV and RoHS Compliant**  
**REACH SVHC**  
 Not Reviewed  
**Halogen-Free Status**  
 Not Reviewed

**China RoHS**



**Need more information on product environmental compliance?**

Email [productcompliance@molex.com](mailto:productcompliance@molex.com)  
 For a multiple part number RoHS Certificate of Compliance, [click here](#)

Please visit the [Contact Us](#) section for any non-product compliance questions.

**Search Parts in this Series**

19221Series

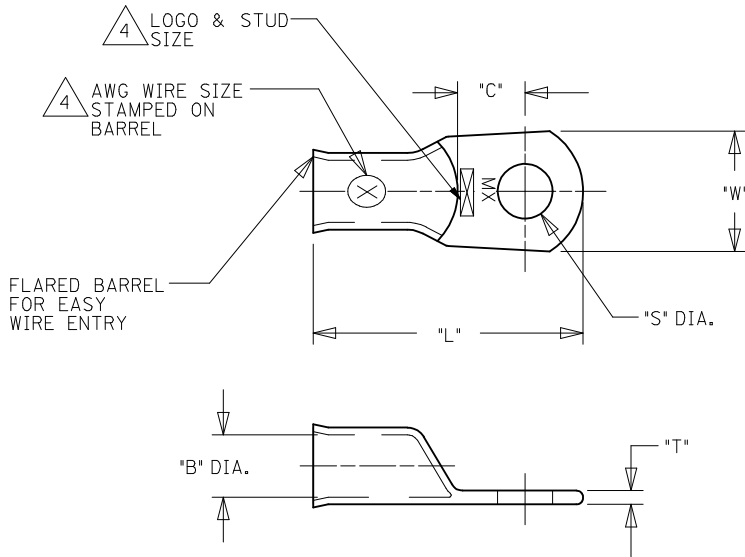
**Application Tooling | FAQ**

*Tooling specifications and manuals are found by selecting the products below. Crimp Height Specifications are then contained in the Application Tooling Specification document.*

**Global**

| Description                                    | Product #                  |
|--|----------------------------|
| Die Set (large) for the HHLS Hydraulic Crimper | <a href="#">0192900031</a> |

| 13                       | 12                   | 11                     | 10                        | 9                  | 8              | 7            | 6            | 5             | 4             | 3            | 2            | 1           |
|--------------------------|----------------------|------------------------|---------------------------|--------------------|----------------|--------------|--------------|---------------|---------------|--------------|--------------|-------------|
| UNPLATED MATERIAL NUMBER | UNPLATED ENG. NUMBER | PLATED MATERIAL NUMBER | PLATED ENGINEERING NUMBER | STUD SIZE          | AWG WIRE RANGE | "S"          | "L"          | "W"           | "C"           | "B"          | "T"          |             |
|                          |                      |                        |                           |                    |                | ±.010/(0.25) | ±.030/(0.76) | ±.020/(0.50)  | ±.040/(1.02)  | ±.015/(0.38) |              |             |
| J                        | 1922 10423           | BCL-1014               | 1922 10422                | BCL-1014-PL        | 1/4/(6.4)      | 1/0          | .278/(7.06)  | 1.844/(46.84) | .718/(18.24)  | .460/(11.68) | .400/(10.16) | .110/(2.80) |
|                          | 1922 10394           | BCL-10516              | 1922 10240                | BCL-10516-PL       | 5/16/(7.9)     | 1/0          | .340/(8.64)  | 1.844/(46.84) | .718/(18.24)  | .460/(11.68) | .400/(10.16) | .110/(2.80) |
|                          | 1922 10377           | BCL-1038               | 1922 10241                | BCL-1038-PL        | 3/8/(9.5)      | 1/0          | .400/(10.16) | 1.844/(46.84) | .718/(18.24)  | .460/(11.68) | .400/(10.16) | .110/(2.80) |
|                          | 1922 10441           | BCL-1038-WP            | 1922 10440                | BCL-1038-WP-PL     | 3/8/(9.5)      | 1/0          | .400/(10.16) | 1.906/(48.41) | .813/(20.65)  | .442/(11.23) | .400/(10.16) | .110/(2.80) |
|                          | 1922 10393           | BCL-1012               | 1922 10242                | BCL-1012-PL        | 1/2/(12.7)     | 1/0          | .520/(13.21) | 1.844/(46.84) | .718/(18.24)  | .460/(11.68) | .400/(10.16) | .110/(2.80) |
|                          | 1922 10437           | BCL-1012-WP            | 1922 10436                | BCL-1012-WP-PL     | 1/2/(12.7)     | 1/0          | .520/(13.21) | 1.906/(48.41) | .813/(20.65)  | .442/(11.23) | .400/(10.16) | .110/(2.80) |
| I                        | 1922 10249           | BCL-2014               | 1922 10234                | BCL-2014-PL        | 1/4/(6.4)      | 2/0          | .278/(7.06)  | 2.062/(52.37) | .824/(20.93)Ⓣ | .522/(13.26) | .461/(11.71) | .110/(2.80) |
|                          | 1922 10398           | BCL-20516              | 1922 10243                | BCL-20516-PL       | 5/16/(7.9)     | 2/0          | .340/(8.64)  | 2.062/(52.37) | .824/(20.93)Ⓣ | .522/(13.26) | .461/(11.71) | .110/(2.80) |
|                          | 1922 10379           | BCL-2038               | 1922 10244                | BCL-2038-PL        | 3/8/(9.5)      | 2/0          | .400/(10.16) | 2.062/(52.37) | .824/(20.93)Ⓣ | .522/(13.26) | .461/(11.71) | .110/(2.80) |
|                          | 1922 10397           | BCL-2012               | 1922 10245                | BCL-2012-PL        | 1/2/(12.7)     | 2/0          | .520/(13.21) | 2.062/(52.37) | .824/(20.93)Ⓣ | .522/(13.26) | .461/(11.71) | .110/(2.80) |
|                          | 1922 10597           | BCL-2058               | 1922 10598                | BCL-2058-PL        | 5/8/(15.9)     | 2/0          | .656/(16.66) | 2.062/(52.37) | .824/(20.93)Ⓣ | .522/(13.26) | .461/(11.71) | .110/(2.80) |
|                          | 1922 10478           | BCL-3014               | 1922 10570                | BCL-3014-PL        | 1/4/(6.4)      | 3/0          | .278/(7.06)  | 2.156/(54.76) | .916/(23.27)Ⓣ | .501/(12.73) | .511/(12.93) | .115/(2.92) |
| H                        | 1922 10402           | BCL-30516              | 1922 10246                | BCL-30516-PL       | 5/16/(7.9)     | 3/0          | .340/(8.64)  | 2.156/(54.76) | .916/(23.27)Ⓣ | .501/(12.73) | .511/(12.93) | .115/(2.92) |
|                          | 1922 10381           | BCL-3038               | 1922 10247                | BCL-3038-PL        | 3/8/(9.5)      | 3/0          | .400/(10.16) | 2.156/(54.76) | .916/(23.27)Ⓣ | .501/(12.73) | .511/(12.93) | .115/(2.92) |
|                          | 1922 10401           | BCL-3012               | 1922 10248                | BCL-3012-PL        | 1/2/(12.7)     | 3/0          | .520/(13.21) | 2.156/(54.76) | .916/(23.27)Ⓣ | .501/(12.73) | .511/(12.93) | .115/(2.92) |
|                          | 1922 10502           | BCL-40516(.625)        | 1922 10503                | BCL-40516-PL(.625) | 5/16/(7.9)     | 4/0          | .340/(8.63)  | 2.688/(68.28) | 1.094/(27.78) | .557/(14.15) | .625/(15.88) | .135/(3.43) |
|                          | 1922 10374           | BCL-4038(.625)         | 1922 10371                | BCL-4038-PL(.625)  | 3/8/(9.5)      | 4/0          | .400/(10.16) | 2.688/(68.28) | 1.094/(27.78) | .557/(14.15) | .625/(15.88) | .135/(3.43) |
|                          | 1922 10375           | BCL-4012(.625)         | 1922 10372                | BCL-4012-PL(.625)  | 1/2/(12.7)     | 4/0          | .520/(13.21) | 2.688/(68.28) | 1.094/(27.78) | .557/(14.15) | .625/(15.88) | .135/(3.43) |
|                          | 1922 10413           | BCL-40516              | 1922 10412                | BCL-40516-PL       | 5/16/(7.9)     | 4/0          | .340/(8.63)  | 2.344/(59.54) | .984/(24.99)  | .550/(13.97) | .559/(14.20) | .135/(3.43) |
| G                        | 1922 10382           | BCL-4038               | 1922 10250                | BCL-4038-PL        | 3/8/(9.5)      | 4/0          | .400/(10.16) | 2.344/(59.54) | .984/(24.99)  | .550/(13.97) | .559/(14.20) | .135/(3.43) |
|                          | 1922 10403           | BCL-4012               | 1922 10251                | BCL-4012-PL        | 1/2/(12.7)     | 4/0          | .520/(13.21) | 2.344/(59.54) | .984/(24.99)  | .550/(13.97) | .559/(14.20) | .135/(3.43) |
|                          | 1922 10446           | BCL-25038              | 1922 10447                | BCL-25038-PL       | 3/8/(9.5)      | 250          | .400/(10.16) | 2.656/(67.46) | 1.203/(30.56) | .676/(17.17) | .685/(17.40) | .125/(3.18) |
|                          | 1922 10652           | BCL-4014               | 1922 10648                | BCL-4014-PL        | 1/4/(6.4)      | 4/0          | .278/(7.061) | 2.344/(59.54) | .984/(24.99)  | .550/(13.97) | .559/(13.97) | .135/(3.43) |



SALES DRAWING

NOTES:

- FOR INSPECTION SIGHT HOLE, PLEASE CONSULT FACTORY.
- OTHER STUD SIZES MAY BE AVAILABLE, PLEASE CONSULT FACTORY.
- MATERIAL: COPPER  
PLATING: TIN
- MARKINGS CAN BE AT EITHER LOCATION SHOWN.
- IF TONGUE IS TO BE BENT AT ANY ANGLE, IT MUST BE BENT AROUND A RADIUS ONE HALF THE TONGUE THICKNESS.
- USE .625/(15.88) BARREL I.D. FOR HIGH STRAND WELDING CABLE.

|  |                               |  |       |                          |   |  |   |                        |  |  |
|--|-------------------------------|--|-------|--------------------------|---|--|---|------------------------|--|--|
| TONGUE WIDTH 2/0,3/0<br>EC NO: MNA2009-0341<br>DRW: WETTHRODAHL 2009/07/27<br>CHKD: JMACNEIL 2009/08/11<br>APPR: JMACNEIL 2009/08/11 | QUALITY SYMBOLS<br>▽=0<br>▽=0 | GENERAL TOLERANCES (UNLESS SPECIFIED)                |       | DIMENSION STYLE<br>IN/MM |   | SCALE<br>--  | DESIGN UNITS<br>INCH  | THIRD ANGLE PROJECTION |  |  |
|  |                               | mm   | INCH  | DRAWN BY<br>BRE          | DATE<br>2002/06/24  | BATTERY CABLE LUG<br>COPPER TERMINALS<br>1/0, 2/0, 3/0 & 4/0 |   |                        |  |  |
|  |                               | 4 PLACES ±---  | ±---  | CHECKED BY<br>HEB        | DATE<br>2002/06/24  |  |   |                        |  |  |
|  |                               | 3 PLACES ±---  | ±.005 | APPROVED BY<br>RWD       |   | DATE<br>2002/06/24   | MOLEX INCORPORATED<br>MATERIAL NO. SEE CHART<br>DOCUMENT NO. SD-19221-011 |                        |  |  |
| 2 PLACES ±0.13   | ±.01                          | DRAFT WHERE APPLICABLE MUST REMAIN WITHIN DIMENSIONS |       | SIZE<br>C                | THIS DRAWING CONTAINS INFORMATION THAT IS PROPRIETARY TO MOLEX INCORPORATED AND SHOULD NOT BE USED WITHOUT WRITTEN PERMISSION |  |   |                        |  |  |
| 1 PLACE ±0.25  | ±---                          | SHEET NO. 1 OF 1                                     |       |                          |   |  |   |                        |  |  |