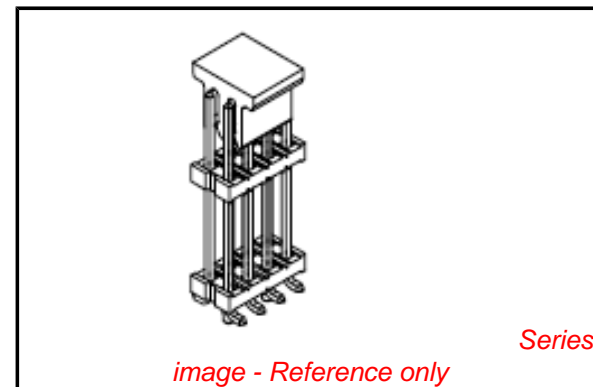


PLEASE CHECK WWW.MOLEX.COM FOR LATEST PART INFORMATION

Part Number: [0877621633](#)
Status: **Active**
Overview: milligrd
Description: 2.00mm (.079") Pitch Milli-Grid™ Header, Dual Row Dual Body, Surface Mount, Vertical, 16 Circuits, 0.76µm (30µ") Gold (Au) Selective Plating, 18.00mm (.709") Stacking Height, with Pick-and-Place Cap, Tube Packaging, Lead-free

Documents:

[Drawing \(PDF\)](#) [RoHS Certificate of Compliance \(PDF\)](#)
[Product Specification PS-87761-100 \(PDF\)](#)



General

Product Family	PCB Headers
Series	87762
Application	Board-to-Board
Overview	milligrd
Product Name	Dual Body, Milli-Grid™

Physical

Breakaway	Yes
Circuits (Loaded)	16
Circuits (maximum)	16
Color - Resin	Black
Durability (mating cycles max)	100
First Mate / Last Break	No
Glow-Wire Compliant	No
Guide to Mating Part	No
Keying to Mating Part	None
Lock to Mating Part	None
Mated Height (in)	0.157 In
Mated Height (mm)	4.00 mm
Material - Metal	Phosphor Bronze
Material - Plating Mating	Gold
Material - Plating Termination	Tin
Material - Resin	Nylon
Number of Rows	2
Orientation	Vertical
PCB Locator	Yes
PCB Retention	None
PCB Thickness Recommended (in)	0.063 In
PCB Thickness Recommended (mm)	1.60 mm
Packaging Type	Tube
Pitch - Mating Interface (in)	0.079 In
Pitch - Mating Interface (mm)	2.00 mm
Pitch - Term. Interface (in)	0.079 In
Pitch - Term. Interface (mm)	2.00 mm
Plating min: Mating (µin)	30
Plating min: Mating (µm)	0.76
Polarized to Mating Part	No
Polarized to PCB	No
Robotic Placement	Pick and Place Cap
Shrouded	No
Stackable	Yes
Temperature Range - Operating	-55°C to +105°C
Termination Interface: Style	Surface Mount

EU RoHS

ELV and RoHS Compliant
REACH SVHC Contains SVHC: No
Halogen-Free Status

China RoHS



Not Halogen-Free

Need more information on product environmental compliance?

Email productcompliance@molex.com
 For a multiple part number RoHS Certificate of Compliance, [click here](#)

Please visit the [Contact Us](#) section for any non-product compliance questions.

Search Parts in this Series

[87762Series](#)

Mates With

[79107](#) Board-to-Board Top Entry Through Hole Receptacle. [79108](#) Board-to-Board FFC/FPC Top Entry Through Hole Receptacle. [79109](#) Board-to-Board Top/Bottom Entry SMT Receptacle. [87381](#) Board-to-Board Top Entry SMT Receptacle

Electrical

Current - Maximum per Contact	2A
Voltage - Maximum	125V

Solder Process Data

Duration at Max. Process Temperature (seconds)	10
Lead-free Process Capability	Reflow Capable (SMT only)
Max. Cycles at Max. Process Temperature	3
Process Temperature max. C	260

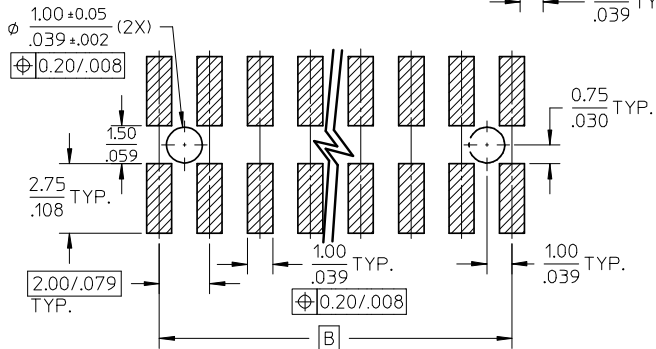
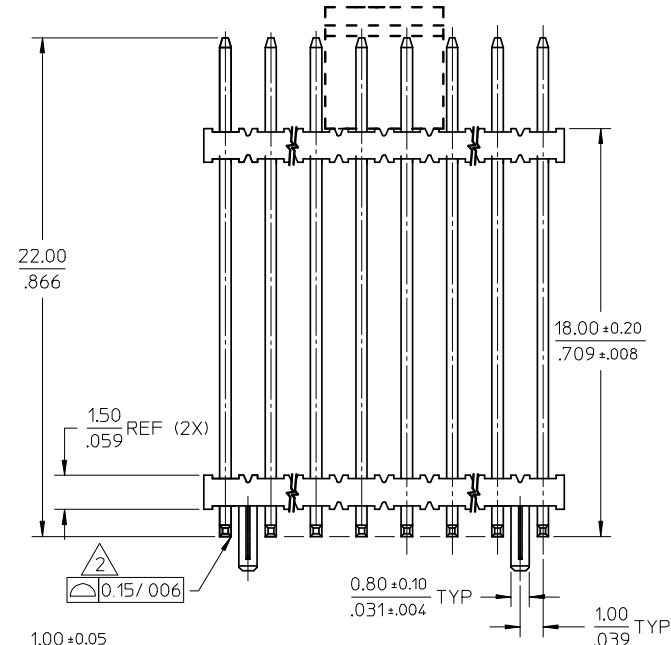
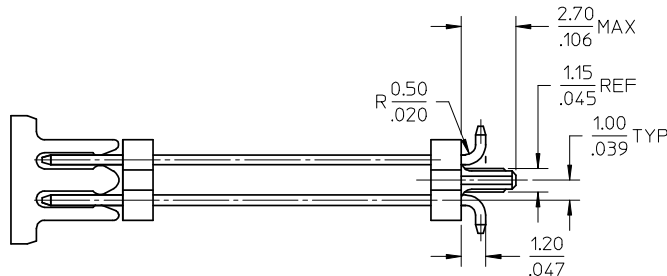
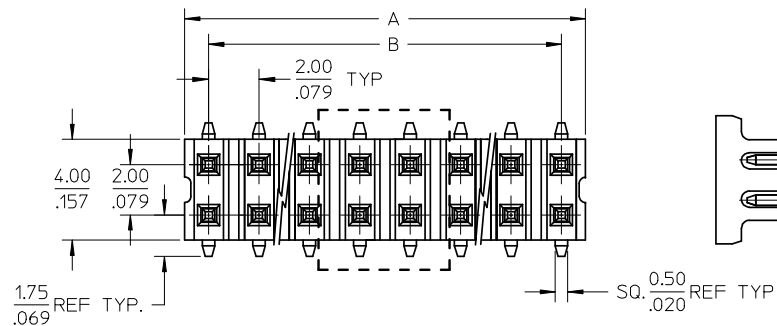
Material Info**Reference - Drawing Numbers**

Packaging Specification	PK-89990-474
Product Specification	PS-87761-100
Sales Drawing	SD-87762-133

This document was generated on 05/26/2010

PLEASE CHECK WWW.MOLEX.COM FOR LATEST PART INFORMATION

10 9 8 7 6 5 4 3 2 1



RECOMMENDED PCB PATTERN

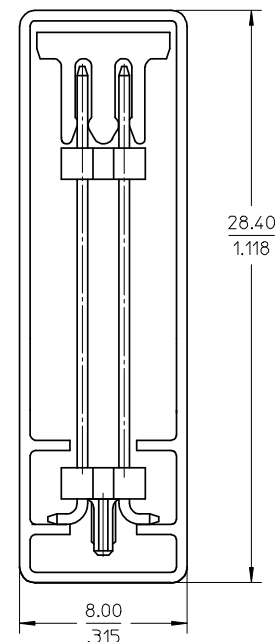
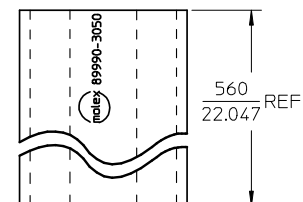
NOTES:

1. PRODUCT SPECIFICATION PS-87761-100 APPLIES.
2. COPLANARITY IS TO BE MEASURED BY RESTING THE SOLDER TAIL ON A GAUGE SURFACE.
3. RECOMMENDED PC BOARD THICKNESS IS 1.60\0.10MM
4. PLATING FINISH:
0.76um/30uin MIN GOLD IN CONTACT AREA
TIN IN SOLDER TAIL AREA,
BOTH OVER NICKEL.
5. MATERIAL:
HSG : NYLON (4/6), 30% G.F., UL94V-0
COLOR BLACK,
PIN : PHOSPHOR BRONZE, SQ. 0.50MM
6. PACKAGING SPECIFICATION PK-89990-474 APPLIES.

PART NO. LEGEND

8 7 7 6 2 - * * 3 3
└── CKT SIZE

PART NO. W/ CAP IN TUBE	CKT SIZE	DIMENSION			
		A		B	
		MM	INCH	MM	INCH
87762-1633	16	15.90	.626	14.00	.551
87762-5033	50	49.90	1.965	48.00	1.890



CORRECTION OF DIM EC NO: S2008-0495 DRWN:SKANG 2007/12/06 CHKD:ATSEE 2007/12/10 APPR:MLONG 2007/12/11	QUALITY SYMBOLS	GENERAL TOLERANCES (UNLESS SPECIFIED)	DIMENSION STYLE MM/IN	SCALE NTS	DESIGN UNITS METRIC	THIRD ANGLE PROJECTION	
	▽=0 ∇=0	mm INCH	DRAWN BY DATE KCHO 2004/05/19	TITLE	MGRID 2MM DUAL ROW HEADER W/CAP & SPACER, SMT		
		4 PLACES ± --- ± --- 3 PLACES ± --- ± --- 2 PLACES ± 0.2 ± --- 1 PLACE ± --- ± ---	CHECKED BY DATE PTL IM 2004/06/22	APPROVED BY DATE SCLOW 2004/06/22	MOLEX INCORPORATED		
		ANGULAR ± 3 °	MATERIAL NO.	DOCUMENT NO.	SD-87762-133		
B1	DESCRIPTION	DRAFT WHERE APPLICABLE MUST REMAIN WITHIN DIMENSIONS	SIZE A3	THIS DRAWING CONTAINS INFORMATION THAT IS PROPRIETARY TO MOLEX INCORPORATED AND SHOULD NOT BE USED WITHOUT WRITTEN PERMISSION			

9 8 7 6 5 4 3 2 1