

PLEASE CHECK WWW.MOLEX.COM FOR LATEST PART INFORMATION

Part Number: [0355060510](#)
Status: **Active**
Description: 2.79mm (.110") MP-Lock™ Tab Housing, Female, 5 Circuits

Documents:

[Drawing \(PDF\)](#) [RoHS Certificate of Compliance \(PDF\)](#)
[Product Specification PS-35506-001 \(PDF\)](#)

General

Product Family Crimp Housings
 Series 35506
 Product Name MP-Lock™

Physical

Circuits (maximum) 5
 Gender Female
 Glow-Wire Compliant No
 Number of Rows 1
 Packaging Type Bag
 Panel Mount No
 Pitch - Mating Interface (in) 0.189 In, 0.236 In, 0.256 In
 Pitch - Mating Interface (mm) 4.80 mm, 6.00 mm, 6.50 mm
 Pitch - Term. Interface (in) 0.189 In, 0.236 In, 0.256 In
 Pitch - Term. Interface (mm) 4.80 mm, 6.00 mm, 6.50 mm
 Stackable No
 Temperature Range - Operating -40°C to +105°C

Material Info

Reference - Drawing Numbers

Product Specification PS-35506-001
 Sales Drawing SD-35506-001

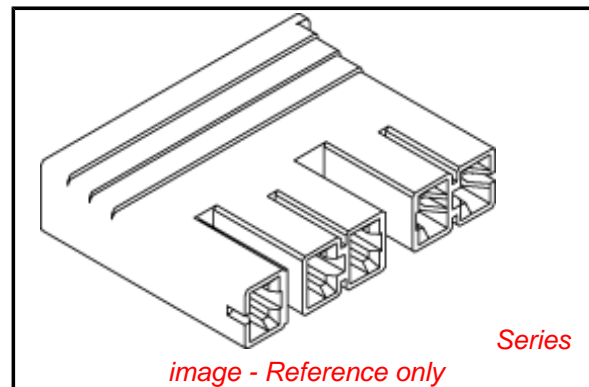


image - Reference only

EU RoHS

**ELV and RoHS
 Compliant**
REACH SVHC
 Not Reviewed
**Halogen-Free
 Status**
Not Reviewed

China RoHS



**Need more information on product
 environmental compliance?**

Email productcompliance@molex.com
 For a multiple part number RoHS Certificate of
 Compliance, [click here](#)

Please visit the [Contact Us](#) section for any
 non-product compliance questions.

Search Parts in this Series

35506Series

Mates With

2.79mm (.110") Tab

Use With

35097-9*12

DWG. IO.
SD-35506-001

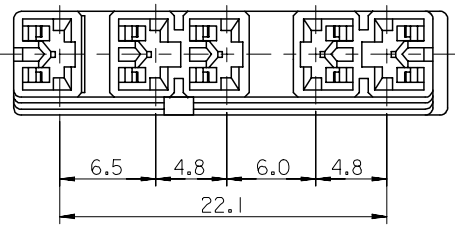
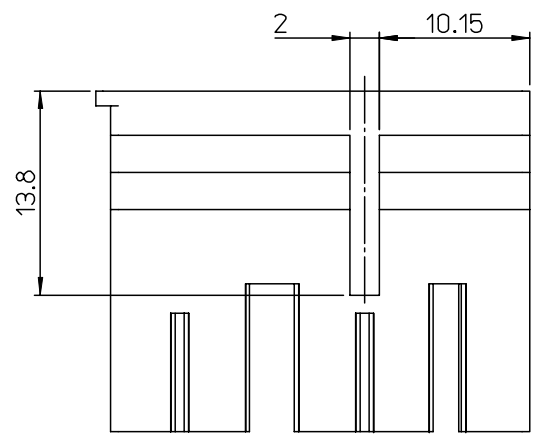
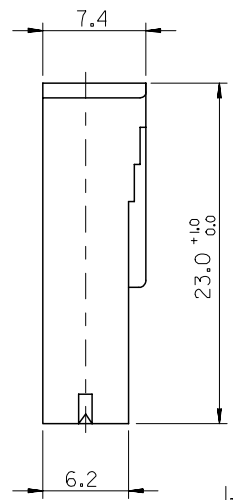
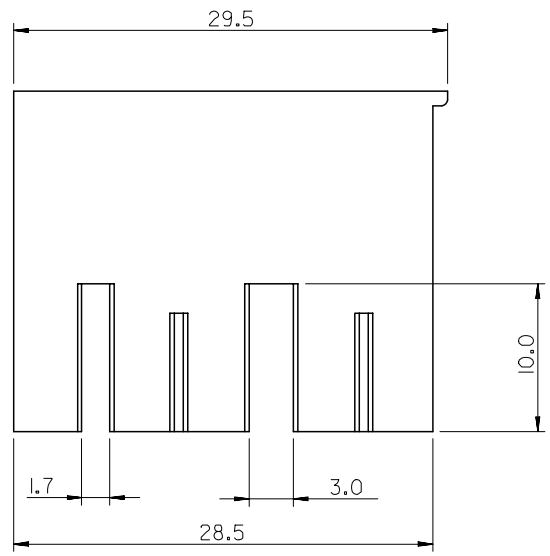
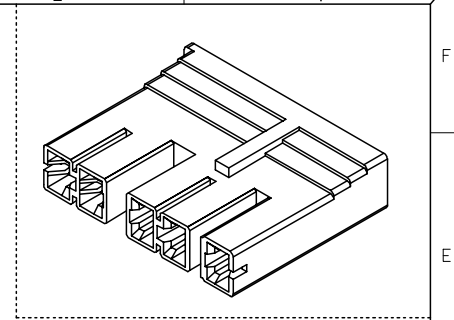
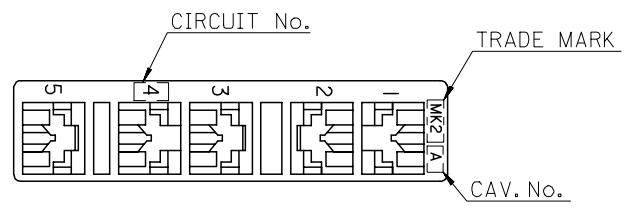
SIMILAR ITEM

PROJECT NO.

C

B

DO NOT SCALE DRAWING
DIMENSION IN METRIC



NOTES

1. ENG. NO. & MATERIAL

ENG. NO.	MATERIAL
35506-0510	POLYESTER(PBT), UNFILLED, UL94V-0
35506-0580	NYLON(PA), UNFILLED, UL94V-2

2. COLOR : NATURAL

3. USED TERMINAL : 35097-9*12

REVISED EC NO. KOR 2005-0203 DRWN: JBLIN 05/08/05 CHK: W.Y.YANG APPR: C.W.LEE	DESCRIPTION	QUALITY SYMBOLS	GENERAL TOLERANCES: (UNLESS SPECIFIED)	SCALE NS	DESIGN UNITS <input checked="" type="checkbox"/> mm <input type="checkbox"/> INCH	<input checked="" type="checkbox"/> THIRD ANGLE <input type="checkbox"/> PROJECTION	DIMENSIONS: <input type="checkbox"/> mm <input type="checkbox"/> INCH <input type="checkbox"/> mm <input type="checkbox"/> INCH	SHT	REV
		MAJOR = 0	4 PLACES ±0.	mm	INCH	DRAWN BY & DATE W.Y.YANG 96/06/17	TITLE: .110 MP-LOCK HOUSING-5P (FOR DOOR SWITCH)		
B	REV	CRITICAL = 0	3 PLACES ±0.		CHECKED BY & DATE B.K.CHOI 96/06/17	MATERIAL NO. SEE NOTES	DRAWING NO. SD-35506-001	SHEET NO. 10F1	SIZE B
			2 PLACES ±0.30		APPROVED BY & DATE C.W.LEE 96/06/17				
			1 PLACE ±0.30		CAD FILENAME S35506AA.DGN				
			ANGULAR: ± °	THIS DRAWING CONTAINS INFORMATION THAT IS PROPRIETARY TO MOLEX INCORPORATED AND SHOULD NOT BE USED WITHOUT WRITTEN PERMISSION.					
			DRAFT WHERE APPLICABLE MUST REMAIN WITHIN DIMENSIONS						