

PLEASE CHECK WWW.MOLEX.COM FOR LATEST PART INFORMATION

Part Number: [0197244100](#)
Status: **Active**
Description: VibraKrimp™ Snap Plug for 14-18 AWG Wire, Strain Relief, Unplated, Fits Diameter 3.96mm (.156")

Documents:

[Drawing \(PDF\)](#) [RoHS Certificate of Compliance \(PDF\)](#)

General

Product Family	Quick Disconnects
Series	19724
Comments	Open Barrel
Crimp Quality Equipment	Yes
Product Name	VibraKrimp™
Type	Snap Plug

Physical

Barrel Type	Open
Gender	Male
Glow-Wire Compliant	No
Insulation	None
Lock to Mating Part	None
Material - Metal	Brass
Material - Plating Mating	Tin
Material - Plating Termination	Tin
Orientation	Straight
Packaging Type	Reel
Plating min: Mating (µin)	100
Plating min: Mating (µm)	2.5
Plating min: Termination (µin)	100
Plating min: Termination (µm)	2.5
Tab Thickness	N/A
Tab Width	N/A
Wire Insulation Diameter	N/A
Wire Size AWG	14, 16, 18
Wire Size mm²	0.96 - 2.60

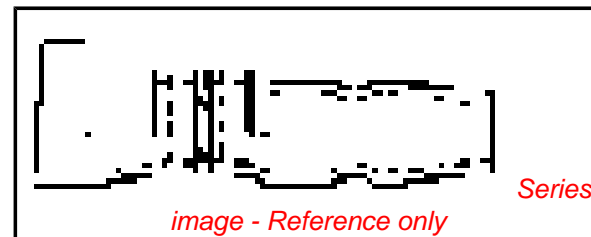
Electrical

Voltage - Maximum	N/A
-------------------	-----

Material Info

Reference - Drawing Numbers

Sales Drawing	SD-19724-002
---------------	--------------



EU RoHS

ELV and RoHS Compliant
REACH SVHC Contains SVHC: No
Halogen-Free Status
Not Reviewed

China RoHS



Need more information on product environmental compliance?

Email productcompliance@molex.com
 For a multiple part number RoHS Certificate of Compliance, [click here](#)

Please visit the [Contact Us](#) section for any non-product compliance questions.

Search Parts in this Series

[19724Series](#)

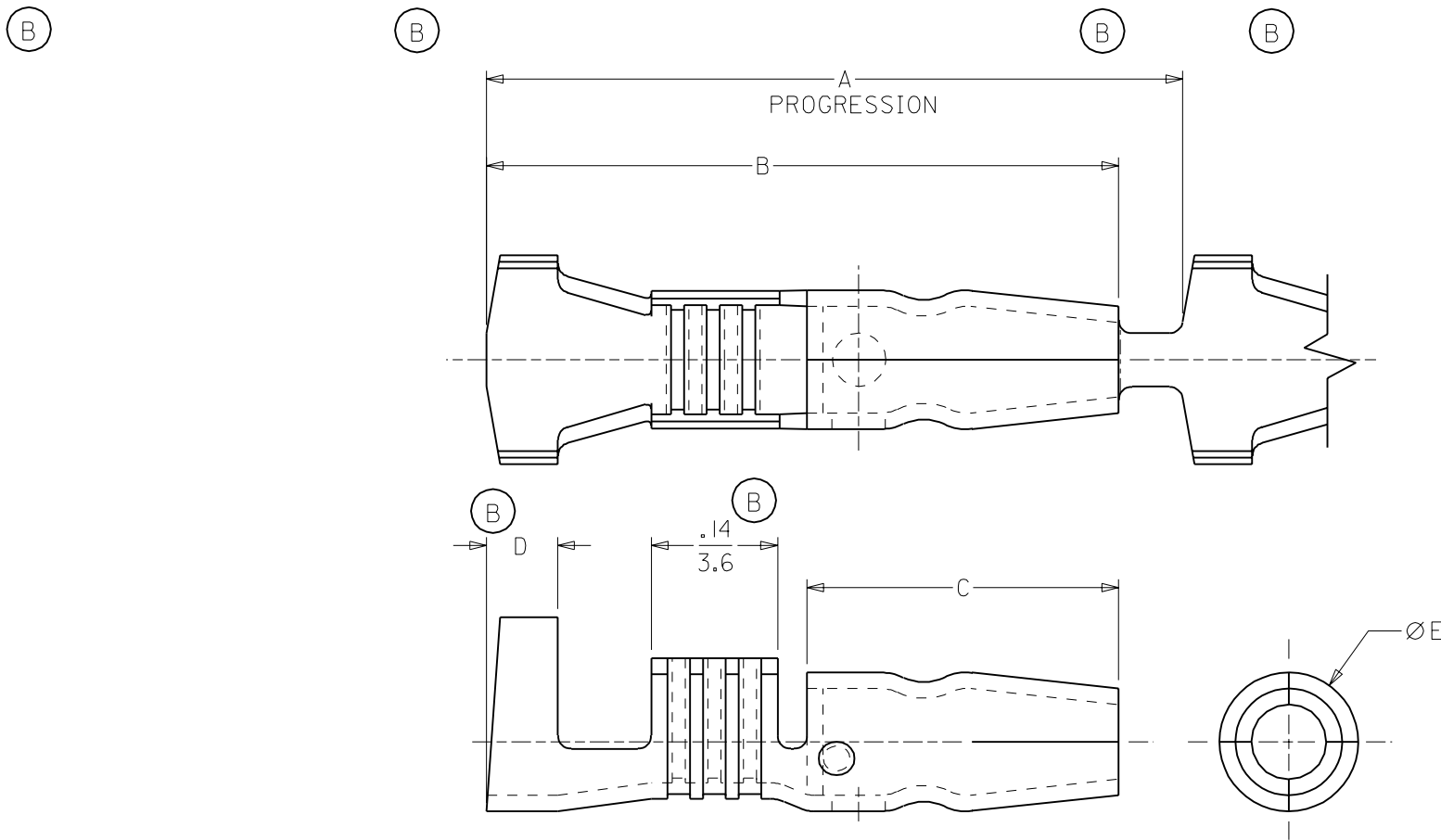
Application Tooling | FAQ

Tooling specifications and manuals are found by selecting the products below. Crimp Height Specifications are then contained in the Application Tooling Specification document.

Global

Description	Product #
Rear Feed Mini-Mac Applicator for VibraKrimp™ Snap Male Plug Terminals, 14-18 AWG	0638026500

MATERIAL NUMBER	ENG. NUMBER	DESCRIPTION	FITS RECEPT. DIAMETER.	A	B	C	D	E
197244102	19724-4102	PLATED	.156/(3.96)	.76/(19.3)	.71/(18.0)	.35/(8.9)	.08/(2.0)	.156/(3.96)
197244402	19724-4402	PLATED	.180/(4.57)	.83/(21.2)	.74/(18.8)	.44/(11.2)	.06/(1.5)	.180/(4.57)
197244100	19724-4100	UNPLATED	.156/(3.96)	.76/(19.3)	.71/(18.0)	.35/(8.9)	.08/(2.0)	.156/(3.96)
197244400	19724-4400	UNPLATED	.180/(4.57)	.83/(21.2)	.74/(18.8)	.44/(11.2)	.06/(1.5)	.180/(4.57)



SALES DRAWING

NOTE(S):
 1. MATERIAL: BRASS
 2. MATERIAL THICKNESS: .016/(0.41)
 3. PLATING: ELECTRO-TIN

ADDED UNPLT NO'S EC NO. ETC2003-0162 DRWN: DLM 02/12/20 CHK: SB 02/12/20 APPR: RWD 02/12/20	QUALITY SYMBOLS MAJOR $\blacktriangledown = \emptyset$ CRITICAL $\nabla = \emptyset$	GENERAL TOLERANCES: (UNLESS SPECIFIED)		SCALE 5:1	DESIGN UNITS <input type="checkbox"/> mm <input checked="" type="checkbox"/> INCH	DIMENSIONS: <input type="checkbox"/> mm <input checked="" type="checkbox"/> INCH <input type="checkbox"/> mm ONLY	SHT REV
		4 PLACES $\pm 0.----$ $\pm .----$ 3 PLACES $\pm 0.---$ $\pm .005$ 2 PLACES ± 0.13 $\pm .010$ 1 PLACE ± 0.25 $\pm .---$	DRAWN BY & DATE DLM 02/12/20	TITLE: VIBRAKRIMP SNAP PLUG 18-14 AWG, OPEN BARREL CHAIN STAMPED		THIRD ANGLE PROJECTION <input checked="" type="checkbox"/> THIRD ANGLE	APPROVED BY & DATE RWD 02/12/20
REV	DESCRIPTION	ANGULAR: $\pm 1/2^\circ$		CAD FILENAME SD19724002.DGN	MATERIAL NO. (SEE CHART)	DRAWING NO. SD-19724-002	SIZE A
DRAFT WHERE APPLICABLE MUST REMAIN WITHIN DIMENSIONS				THIS DRAWING CONTAINS INFORMATION THAT IS PROPRIETARY TO MOLEX INCORPORATED AND SHOULD NOT BE USED WITHOUT WRITTEN PERMISSION.			