

PLEASE CHECK WWW.MOLEX.COM FOR LATEST PART INFORMATION

Part Number: [0194340002](#)
Status: **Active**
Overview: [mx150l sealed connector system](#)
Description: MX150L™ Female Terminal for 8 AWG Wire, Metal Strip Carrier

Documents:

[Drawing \(PDF\)](#) [RoHS Certificate of Compliance \(PDF\)](#)
[Product Specification PS-19432-001 \(PDF\)](#)

Agency Certification

CSA LR18689
 UL E152602

General

Product Family Crimp Terminals
 Series [19434](#)
 Comments UL E152602
 Crimp Quality Equipment Yes
 Overview [mx150l sealed connector system](#)
 Product Literature Order No 987650-2181
 Product Name MX150L™

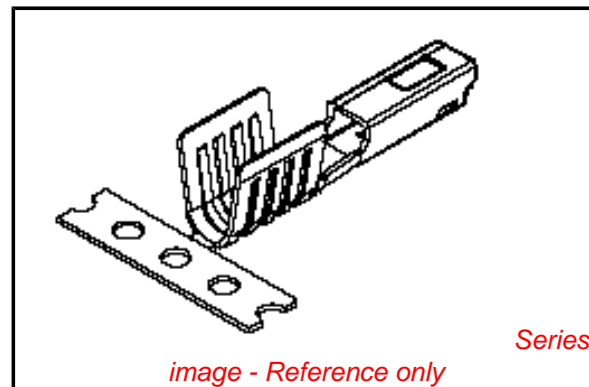
Physical

Gender Female
 Material - Metal Copper
 Material - Plating Mating Tin
 Packaging Type Reel
 Termination Interface: Style Crimp or Compression
 Wire Insulation Diameter 6.02mm (.237")
 Wire Size AWG 8
 Wire Size mm² N/A

Material Info

Reference - Drawing Numbers

Product Specification PS-19432-001
 Sales Drawing SD-19434-001



EU RoHS

ELV and RoHS Compliant
REACH SVHC
 Not Reviewed
Halogen-Free Status
 Not Reviewed

China RoHS



Need more information on product environmental compliance?

Email productcompliance@molex.com
 For a multiple part number RoHS Certificate of Compliance, [click here](#)

Please visit the [Contact Us](#) section for any non-product compliance questions.

Search Parts in this Series

[19434Series](#)

Mates With

[19431 Male Terminal](#)

Use With

[19432 Female Receptacle](#)

Application Tooling | FAQ

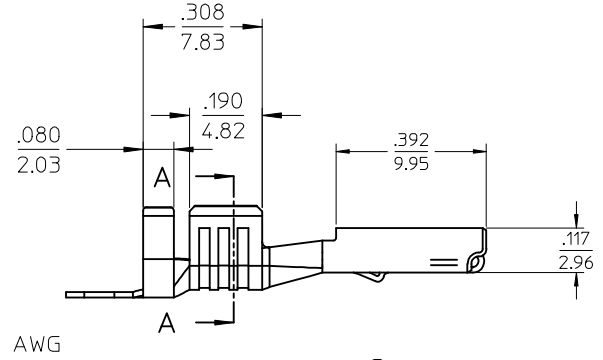
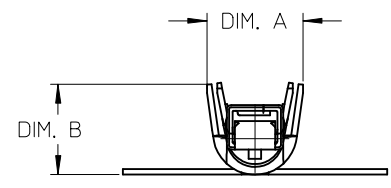
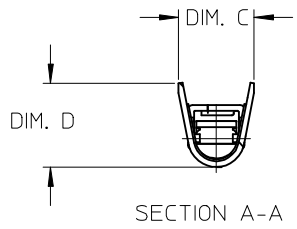
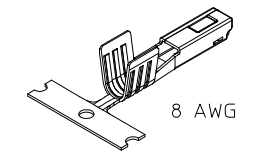
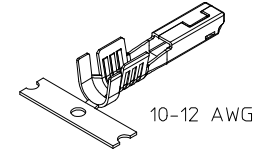
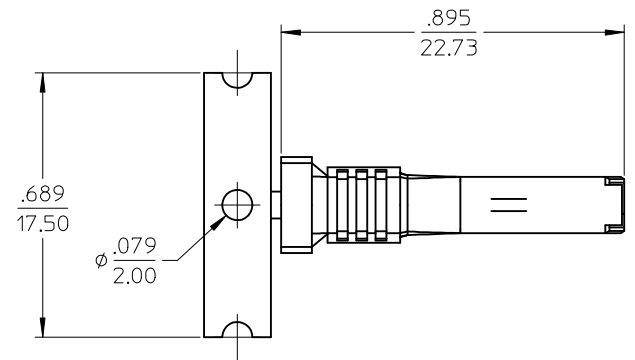
Tooling specifications and manuals are found by selecting the products below. Crimp Height Specifications are then contained in the Application Tooling Specification document.

Global

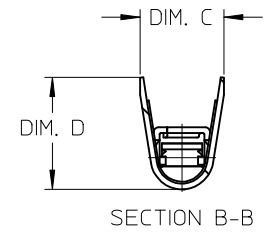
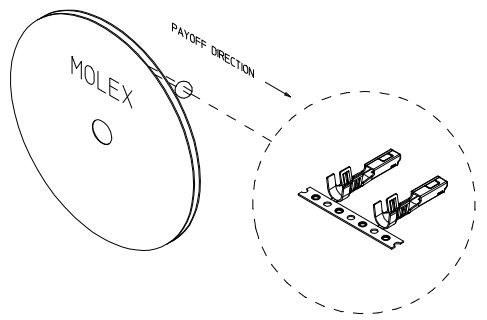
Description	Product #
Hand Crimp Tool	0638115400
Mini-Mac™ Applicator	0638325100

PLEASE CHECK WWW.MOLEX.COM FOR LATEST PART INFORMATION

STRIP MATERIAL NUMBER	LOOSE PIECE MATERIAL NUMBER	AWG SIZE	DIM. "A"	DIM. "B"	DIM. "C"	DIM. "D"
194340001	194340003	10-12	.250/6.35	.236/6.00	.197/5.00	.220/5.60
194340002	194340004	8	N/A	N/A	.240/6.10	.276/7.00

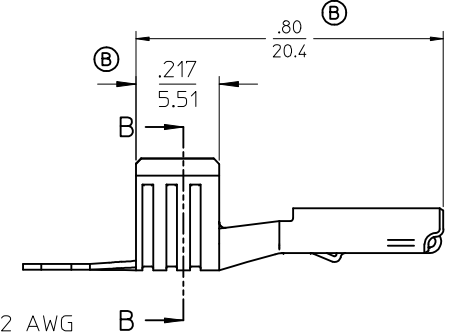


10-12 AWG



SECTION B-B

8 AWG
SAME AS 10-12 AWG
EXCEPT AS NOTED



- NOTES:
- MATERIAL: COPPER ALLOY.
 - FINISH: PREPLATED AND REFLOWED OVERALL.
100μ TIN OVER 50μ NICKEL, MINIMUM.
 - TERMINALS FOR USE WITH 19432**** RECEPTACLE HOUSING ASSEMBLY.
 - PRODUCT SPECIFICATION: PS-19431-001.
 - PACKAGING SPECIFICATION: PK-19434-001.
 - APPLICATION TOOLING AND CRIMP SPECIFICATIONS: CONSULT FACTORY

UPDATED DIMS & NOTES EC NO: WNA2009-0796 DRWN: BRUPERT 2005/10/05 CHKD: JPAWLICK 2009/06/04 APPR: RDEROSS 2009/07/10	QUALITY SYMBOLS ▽ - 0 ▽ - 0	GENERAL TOLERANCES (UNLESS SPECIFIED) mm INCH 4 PLACES ± --- ± --- 3 PLACES ± --- ± .010 2 PLACES ± 0.25 ± .02 1 PLACE ± 0.5 ± --- ANGULAR ± 3°	SCALE 4:1 DESIGN UNITS INCH DIMENSION STYLE IN/MM	THIRD ANGLE PROJECTION REVISE ON CAD ONLY
	DRAFT WHERE APPLICABLE MUST REMAIN WITHIN DIMENSIONS	DRAWN BY BRUPERT CHECKED BY JPAWLICK APPROVED BY RDEROSS DATE 01/25/05 DATE 01/25/05 DATE 01/25/05	TITLE FEMALE RECEPTACLE MX150L TERMINAL, 10-12.8 AWG AWG, .098/2.50X.031/0.79	MATERIAL NO. SEE CHART DOCUMENT NO. SD-19434-001 SHEET NO. 1 OF 1
	THIS DRAWING CONTAINS INFORMATION THAT IS PROPRIETARY TO MOLEX INCORPORATED AND SHOULD NOT BE USED WITHOUT WRITTEN PERMISSION			
	MOLEX MOLEX INCORPORATED			