

**PLEASE CHECK WWW.MOLEX.COM FOR LATEST PART INFORMATION**

**Part Number:** [0190850004](#)  
**Status:** **Active**  
**Description:** Open Barrel Ring , Tin-Plated Brass, for 14-18 AWG Wire, Stud Size 6 (M3.5)

**Documents:**

[Drawing \(PDF\)](#) [RoHS Certificate of Compliance \(PDF\)](#)  
[Product Specification PS-19902-006 \(PDF\)](#)

**Agency Certification**

CSA LR18689  
 UL E32244

**General**

Product Family Ring and Spade Terminals  
 Series [19085](#)  
 Crimp Quality Equipment Yes  
 Mil-Spec N/A  
 Product Name N/A  
 Type Ring

**Physical**

Barrel Type Open  
 Insulation None  
 Material - Plating Mating Tin  
 Packaging Type Reel  
 Plating min: Mating (µin) 200  
 Plating min: Mating (µm) 5  
 Plating min: Termination (µin) 200  
 Plating min: Termination (µm) 5  
 Stud Size 6 (M3.5)  
 Temperature Range - Operating 149°C  
 Termination Interface: Style Crimp or Compression  
 Wire Insulation Diameter N/A  
 Wire Size AWG 14, 16, 18  
 Wire Size mm<sup>2</sup> 0.80 - 2.00

**Electrical**

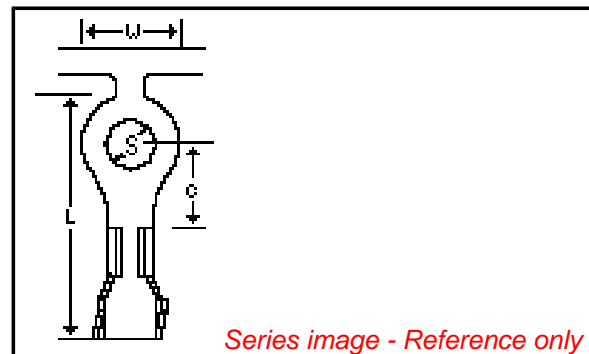
Voltage - Maximum 2000V

**Material Info**

Old Part Number RZ-4129-06

**Reference - Drawing Numbers**

Product Specification PS-19902-006  
 Sales Drawing SD-19085-002



**EU RoHS**

**ELV and RoHS Compliant**  
**REACH SVHC**  
 Not Reviewed  
**Halogen-Free Status**  
**Not Reviewed**

**China RoHS**



**Need more information on product environmental compliance?**

Email [productcompliance@molex.com](mailto:productcompliance@molex.com)  
 For a multiple part number RoHS Certificate of Compliance, [click here](#)

Please visit the [Contact Us](#) section for any non-product compliance questions.

**Search Parts in this Series**

[19085Series](#)

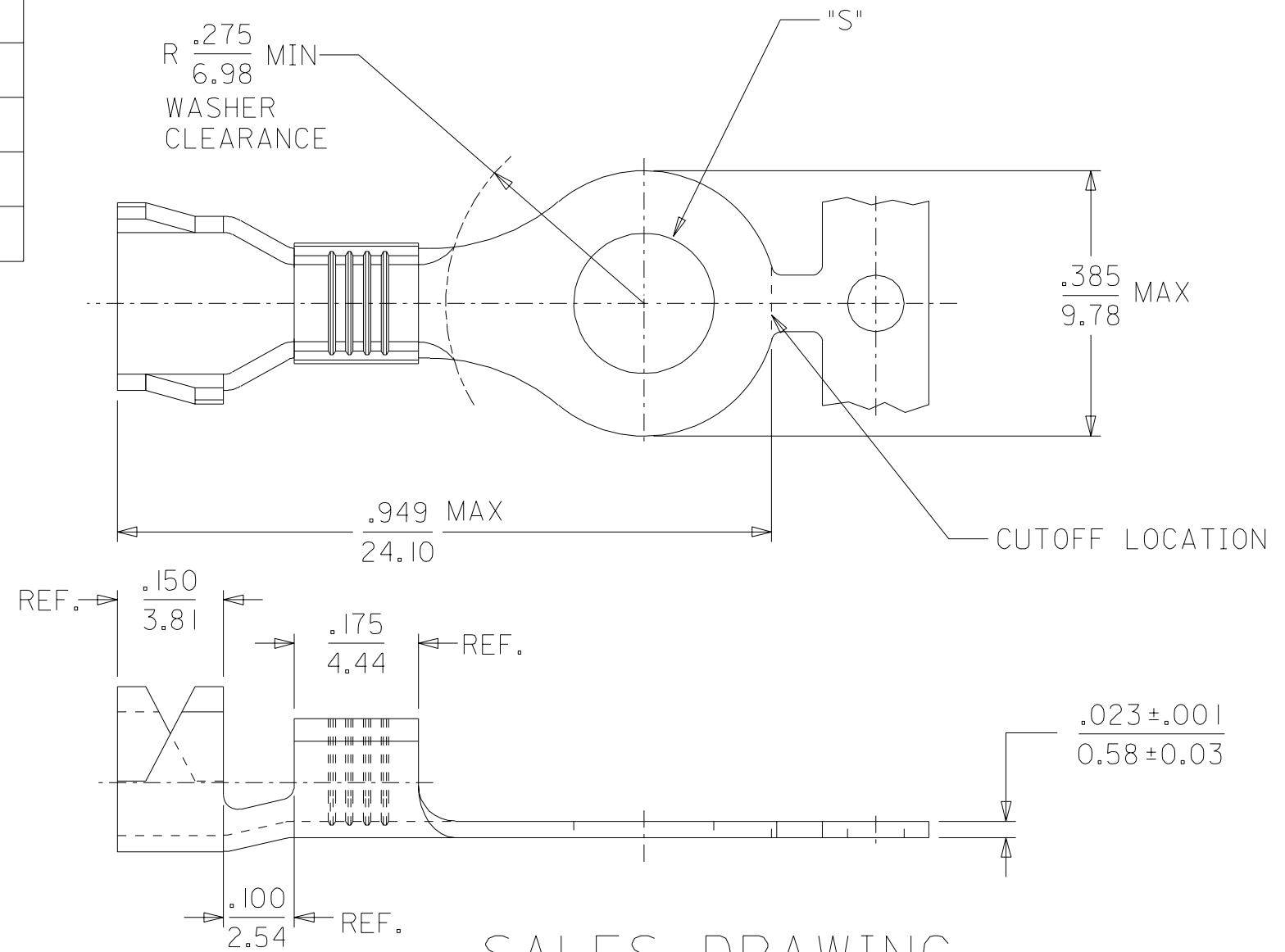
**Application Tooling | [FAQ](#)**

*Tooling specifications and manuals are found by selecting the products below. Crimp Height Specifications are then contained in the Application Tooling Specification document.*

**Global**

| Description  | Product #                  |
|--|----------------------------|
| ASP Perishable Tool Kit used in ASP presses that process metal strip product | <a href="#">0190290053</a> |
| Mini-Mac™ Applicator   | <a href="#">0638815600</a> |

| MATERIAL NUMBER | ENGINEERING NUMBER | STUD SIZE "S"<br>±.010/.(0.25) | MATERIAL | PLATING |
|-----------------|--------------------|--------------------------------|----------|---------|
| 190850001       | 19085-0001         | #6 = .146/(3.71)               | BRASS    | NONE    |
| 190850002       | 19085-0002         | #8 = .173/(4.39)               | BRASS    | NONE    |
| 190850003       | 19085-0003         | #10 = .198/(5.03)              | BRASS    | NONE    |
| 190850004       | RZ-4129-06         | #6 = .146/(3.71)               | BRASS    | TIN     |
| 190850005       | RZ-4129-08         | #8 = .173/(4.39)               | BRASS    | TIN     |
| 190850006       | RZ-4129-10         | #10 = .198/(5.03)              | BRASS    | TIN     |
| 190850007       | RZ-S-4129-06       | #6 = .146/(3.71)               | STEEL    | TIN     |
| 190850008       | RZ-S-4129-08       | #8 = .173/(4.39)               | STEEL    | TIN     |
| 190850009       | RZ-S-4129-10       | #10 = .198/(5.03)              | STEEL    | TIN     |



SALES DRAWING

- NOTES:
1. MATERIAL: SEE CHART.
  2. PLATING: SEE CHART.
  3. WIRE RANGE: 18-14 AWG/1.3-2.6 MM.<sup>2</sup>

|   |                 |   |   |                                    |   |  |                             |                     |
|---|-----------------|---|---|------------------------------------|---|--|-----------------------------|---------------------|
| WAS CD-4116<br>EC NO. ETC2002-0287<br>DRWN: BRE 02/04/10<br>CHK: HEB 02/04/10<br>APPR: RWD 02/04/10 | QUALITY SYMBOLS | GENERAL TOLERANCES:<br>(UNLESS SPECIFIED) |   | SCALE<br>NO: NE                    | DESIGN UNITS<br><input type="checkbox"/> mm <input checked="" type="checkbox"/> INCH  | DIMENSIONS:<br><input type="checkbox"/> mm <input checked="" type="checkbox"/> INCH <input type="checkbox"/> mm ONLY | SHT                         | REV                 |
|   | MAJOR<br>= 0    | mm  | INCH  | DRAWN BY & DATE<br>BRE 02/04/02    |   | THIRD ANGLE PROJECTION   |                             |                     |
|   | CRITICAL<br>= 0 | 4 PLACES ±0.                              | ±.  | CHECKED BY & DATE<br>HEB 02/04/02  |   | TITLE: VIBRAKRIMP<br>STRIP RING TONGUE<br>TERMINAL   |                             |                     |
|   |                 | 3 PLACES ±0.                              | ±.  | APPROVED BY & DATE<br>RWD 02/04/02 |   | MOLEX INCORPORATED   |                             |                     |
|   | 2 PLACES ±0.    | ±.  | ANGULAR: ± 1/2 °  |                                    | CAD FILENAME<br>SD-19085-002 .DGN   | MATERIAL NO.<br>SEE CHART  | DRAWING NO.<br>SD-19085-002 | SHEET NO.<br>1 OF 1 |
|   | 1 PLACE ±0.     | ±.  | DRAFT WHERE APPLICABLE MUST<br>REMAIN WITHIN DIMENSIONS |                                    | THIS DRAWING CONTAINS INFORMATION THAT IS PROPRIETARY TO MOLEX<br>INCORPORATED AND SHOULD NOT BE USED WITHOUT WRITTEN PERMISSION. |  |                             | SIZE<br>B           |