

**PLEASE CHECK WWW.MOLEX.COM FOR LATEST PART INFORMATION**

**Part Number:** [0820240602](#)  
**Status:** **Active**  
**Description:** Crimp Terminal 82024, 20-24 AWG, Bag

**Documents:**

[Drawing \(PDF\)](#) [RoHS Certificate of Compliance \(PDF\)](#)

**General**

Product Family	Crimp Terminals
Series	<a href="#">82024</a>
Crimp Quality Equipment	Yes
Product Name	N/A

**Physical**

Gender	Male
Material - Metal	Brass
Material - Plating Mating	Gold
Packaging Type	Bag
Wire Insulation Diameter	See SD-82024-xx0x
Wire Size AWG	20, 22, 24
Wire Size mm <sup>2</sup>	N/A

**Material Info**

**EU RoHS** **China RoHS**

**Compliance Status**

**Not Reviewed**

**REACH SVHC**

**Not Reviewed**

**Halogen-Free**

**Status**

**Not Reviewed**

**Need more information on product environmental compliance?**

Email [productcompliance@molex.com](mailto:productcompliance@molex.com)  
For a multiple part number RoHS Certificate of Compliance, [click here](#)

Please visit the [Contact Us](#) section for any non-product compliance questions.

**Search Parts in this Series**

[82024Series](#)

ENG. NO. SD-82024-\*\*-0\*

EDP NO.

SIMILAR ITEM

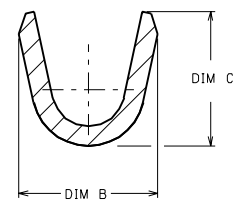
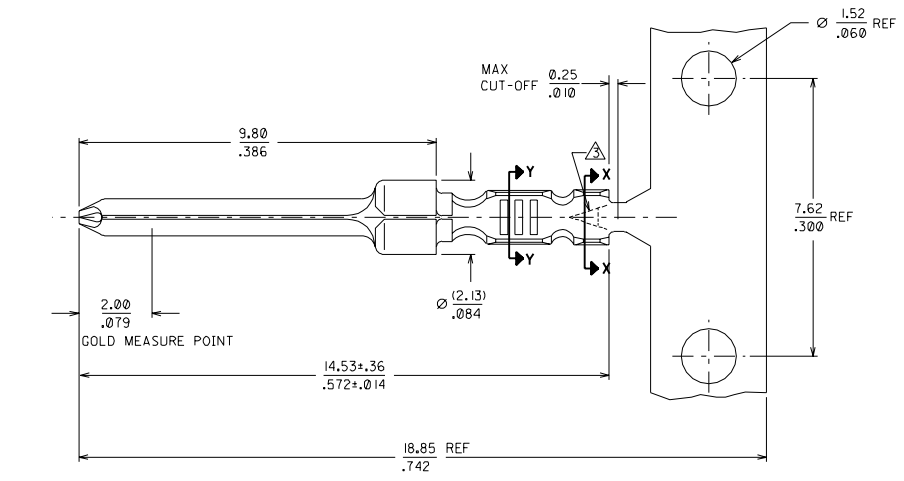
PROJECT NO.

DO NOT SCALE DRAWING

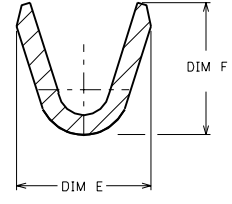
PART NUMBER	AWG	DIM B	DIM C	DIM E	DIM F	TYPE OF FORM	CODE
SD-82024-**-01	20/24	2.44/.096	1.85/.073	1.83/.072	1.85/.073	STRIP	C
LOOSE PIECE						C	
SD-82024-**-02	24/28	1.52/.060	1.47/.058	1.47/.058	1.45/.057	STRIP	A
SD-82024-**-04						LOOSE PIECE	A

NOTES:

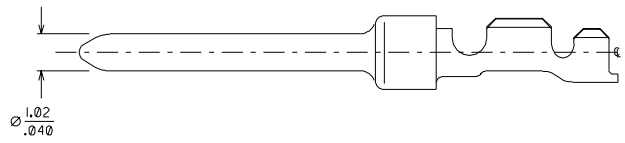
- MAX BURR .005/.002 ; NO CRACKS, SLIVERS OR ORANGE PEEL
- MAX CAMBER 3.175/.125 IN 6 10/24
- CRIMP CODE PER CHART
- PLATING PER PLATING CODE & PART NO. LEGEND BELOW



SECTION X-X  
SCALE - 20:1



SECTION Y-Y  
SCALE - 20:1



82024 - \* \* 0 \*

- |                     |                          |
|---------------------|--------------------------|
| REELING             | PLATING CODE             |
| 0 - LEFT HAND FEED  | 4 - 0.38um/15uin AU MIN. |
| STANDARD SIZE       | 5 - 0.76um/30uin AU MIN. |
| QTY - 12000         | 6 - 0.10um/4uin AU MIN.  |
| 1 - RIGHT HAND FEED |                          |
| STANDARD SIZE       |                          |
| QTY - 12000         |                          |
| 2 - LEFT HAND FEED  |                          |
| SMALL SIZE          |                          |
| QTY - 400           |                          |
| 3 - RIGHT HAND FEED |                          |
| SMALL SIZE          |                          |
| QTY - 400           |                          |

(ALL WITH DUCTILE NICKEL UNDERPLATE OVERALL)

F	ADDED REELING SIZE	SK	JDK	5/16	MATERIAL : BRASS ,ALLOY 260, 3/4 HARD	MOLEX F.E.M.L South SHEET 1 OF 1	
	PER ERO# 9S151						
E	ADD REELING OPTION	JDK		19/8	FINISH : _____	GENERAL TOLERANCES ANGLE : ± 1° DIM : ± .25/.010	
	PER ERO#8S168						
D	REVISED PER	JDK		9/2	WIRE RANGE : _____	ENG. NO. : <b>SD-82024-**-0*</b>	
	ECR# S803						
C	UPDATE ON CAD PER	TAY		16/10	INS. RANGE : MAX Ø 1.52/.06 & 1.02/.04	REV F	
	ERO *59						
LTR	REVISION RECORD	DR	CHK	DATE	DRAWN BY 5/10/87 T A Y	CHK'D BY A. B.	
					APPR'D BY	SCALE 8 : 1	
REVISE ONLY ON CAD SYSTEM						TITLE : <b>MALE TERMINAL D-SUB, CRIMP STYLE</b>	