

Silicon NPN Power Transistors

BUL56B

DESCRIPTION

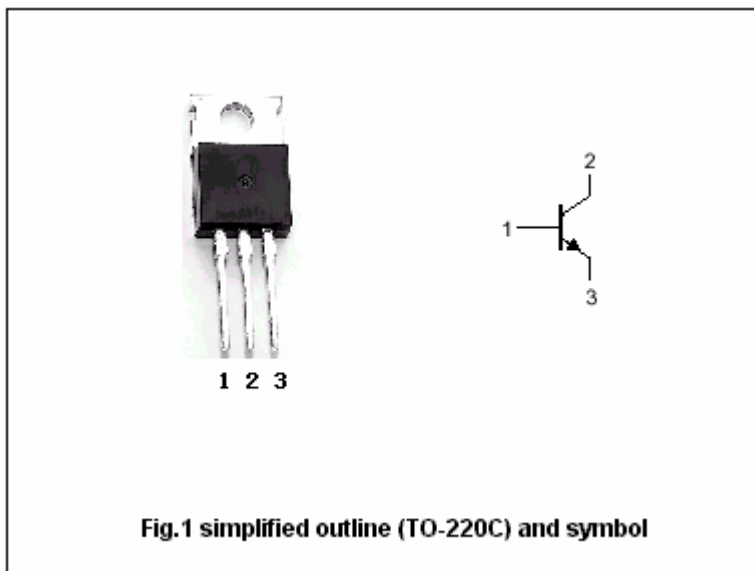
- With TO-220C package
- High voltage
- Fast switching
- High energy rating

APPLICATIONS

- Designed for use in electronic ballast applications

PINNING

PIN	DESCRIPTION
1	Base
2	Collector;connected to mounting base
3	emitter



Absolute maximum ratings (Ta=25°C)

SYMBOL	PARAMETER	CONDITIONS	VALUE	UNIT
V _{CBO}	Collector-base voltage	Open emitter	250	V
V _{CEO}	Collector-emitter voltage	Open base	100	V
V _{EBO}	Emitter-base voltage	Open collector	10	V
I _C	Collector current (DC)		18	A
I _{CM}	Collector current-Peak		25	A
I _B	Base current		5	A
P _{tot}	Total power dissipation	T _C =25°C	85	W
T _{stg}	Operating and storage temperature		-55~150	°C

Silicon NPN Power Transistors

BUL56B

CHARACTERISTICS

T_j=25 °C unless otherwise specified

SYMBOL	PARAMETER	CONDITIONS	MIN	TYP.	MAX	UNIT
V _{CEQ(SUS)}	Collector-emitter sustaining voltage	I _C =10mA ; I _B =0	100			V
V _{(BR)CBO}	Collector-base breakdown voltage	I _C =1mA ; I _E =0	250			V
V _{(BR)EBO}	Emitter-base breakdown voltage	I _E =1mA ; I _C =0	10			V
V _{CEsat-1}	Collector-emitter saturation voltage	I _C =1A ; I _B =0.1A			0.2	V
V _{CEsat-2}	Collector-emitter saturation voltage	I _C =7A ; I _B =0.7A			0.6	V
V _{CEsat-3}	Collector-emitter saturation voltage	I _C =12A ; I _B =1.2A			1.2	V
V _{BEsat-1}	Base-emitter saturation voltage	I _C =7A ; I _B =0.7A			1.2	V
V _{BEsat-2}	Base-emitter saturation voltage	I _C =12A ; I _B =1.2A			1.8	V
I _{CBO}	Collector cut-off current	V _{CB} =250V ; I _E =0 T _C =125 °C			10 100	μA
I _{CEO}	Collector cut-off current	V _{CE} =90V ; I _B =0			100	μA
I _{EBO}	Emitter cut-off current	V _{EB} =9V ; I _C =0 T _C =125 °C			10 100	μA
h _{FE-1}	DC current gain	I _C =0.3A ; V _{CE} =5V	30		90	
h _{FE-2}	DC current gain	I _C =5A ; V _{CE} =5V	25		60	
h _{FE-3}	DC current gain	I _C =12A ; V _{CE} =1V	5			
f _T	Transition frequency	I _C =0.2A ; V _{CE} =4V		20		MHz
C _{ob}	Output capacitance	V _{CB} =100V ; f=1MHz		100		pF

Silicon NPN Power Transistors

BUL56B

PACKAGE OUTLINE

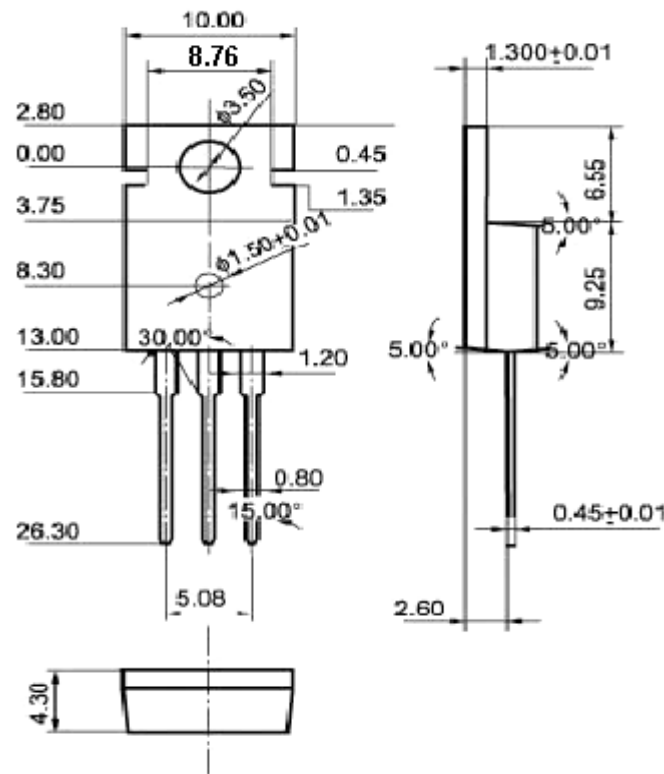


Fig.2 Outline dimensions (unindicated tolerance: 0.1mm)