

PLEASE CHECK WWW.MOLEX.COM FOR LATEST PART INFORMATION

Part Number: [0945091103](#)
Status: **Active**
Description: FORK TERM FOR 0.35 TO 0.50 mm² wire, (20-22AWG), Tab Size: 2.10mm

Documents:

[Drawing \(PDF\)](#) [RoHS Certificate of Compliance \(PDF\)](#)
[Product Specification PS-94509-002 \(PDF\)](#)

General

Product Family	Crimp Terminals
Series	94509
Crimp Quality Equipment	Yes
Product Name	Fork Terminal

Physical

Durability (mating cycles max)	20
Gender	Female
Material - Metal	Phosphor Bronze
Material - Plating Mating	Tin
Material - Plating Termination	Tin
Packaging Type	Reel
Plating min: Mating (µin)	120.00
Plating min: Mating (µm)	3.000
Plating min: Termination (µin)	120.00
Plating min: Termination (µm)	3.00
Termination Interface: Style	Crimp or Compression
Wire Insulation Diameter	1.50-1.70mm(.059"-.067")
Wire Size AWG	20, 22
Wire Size mm ²	0.35 TO 0.50

Electrical

Current - Maximum per Contact	3A, 6A
Voltage - Maximum	50V

Material Info

Reference - Drawing Numbers

Product Specification	PS-94509-002
Sales Drawing	SD-94509-008

EU RoHS

**ELV and RoHS
Compliant**

REACH SVHC

Contains SVHC: No

Halogen-Free

Status

Not Reviewed

China RoHS



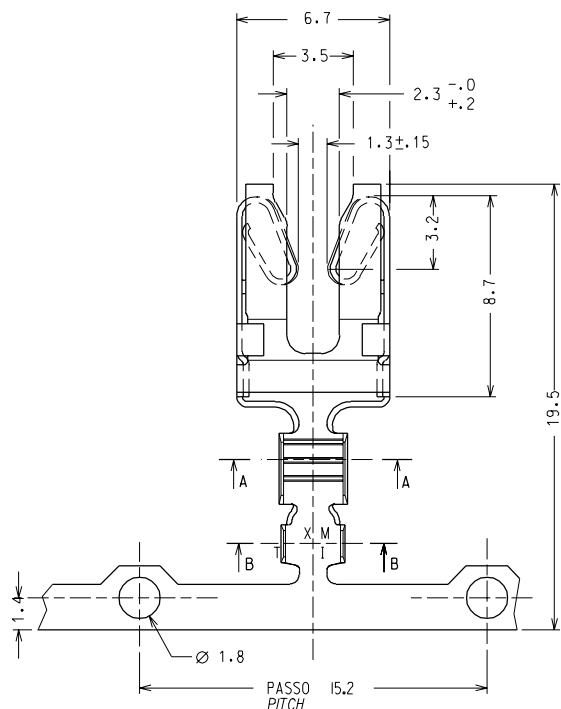
**Need more information on product
environmental compliance?**

Email productcompliance@molex.com
 For a multiple part number RoHS Certificate of
 Compliance, [click here](#)

Please visit the [Contact Us](#) section for any
 non-product compliance questions.

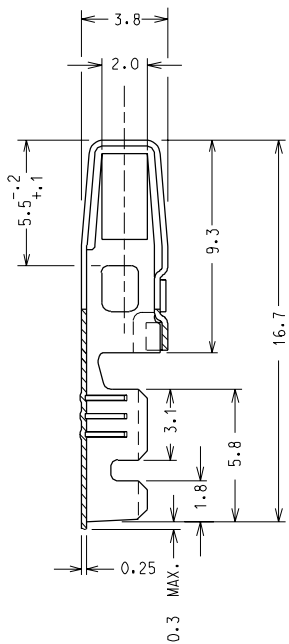
Search Parts in this Series

[94509Series](#)

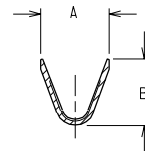


SENDO DI SVOLGIMENTO DALLA BOBINA
DEREELING DIRECTION

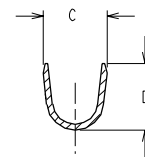
(N.° PEZZI PER BOBINA: 4000)
(N. OF TERMINALS PER REEL: 4000)



SEZIONE A - A
SECTION A - A



SEZIONE B - B
SECTION B - B



MATERIALE: BRONZO FOSFOROSO
MATERIAL: PHOSPHOR BRONZE

FINITURA: PRESTAGNATO
PLATING: PRE-TINNED

CARATTERISTICHE DI PRODOTTO SECONDO PS 94509
PRODUCT CHARACTERISTICS ACCORDING TO PS 94509 E

CODICE P/N	SEZIONE CAVO WIRE SIZE	Ø ISOLANTE INS. RANGE	A	B	C	D
94509-1103	0.35 - 0.50	1.70 MAX	1.9	2.2	2.7	2.7
94509-1203	0.75 - 1.00	2.10 MAX	3.0	2.9	2.8	2.9

EC NO. Z9-065 DRWNS. BARBIERI 08-10-98 CHK: S. SORATO 08-10-98 APPR: R. MARTUCCI 08-10-98	QUALITY SYMBOLS MAJOR M SIGNIF. S CRITICAL C	GENERAL TOLERANCES: (UNLESS SPECIFIED)		SCALE 5:1	DESIGN UNITS <input checked="" type="checkbox"/> mm <input type="checkbox"/> INCH	DIMENSIONS: <input type="checkbox"/> mm <input type="checkbox"/> INCH <input type="checkbox"/> mm <input checked="" type="checkbox"/> mm ONLY	SHT	REV
		4 PLACES ±0.1	±0.1	DRAWN BY & DATE S. BARBIERI 18-07-90	TITLE: CONTATTO A FORCELLA DIRITTO - SPESSORE NOMIN. DEL MASCHIO: 2.1 mm - STRAIGHT FORK TERMINAL - TAB SIZE: 2J mm -		REVISE ON CAD ONLY	
D	REV	3 PLACES ±0.2	±0.2	CHECKED BY & DATE	APPROVED BY & DATE M. PREVIATO 18-07-90	MATERIAL NO. SEE TABLE	DRAWING NO. SD-94509-008	SHEET NO. 1/1
		2 PLACES ±0.3	±0.3	CAD FILENAME 94509008.DGN	SIZE A3			
		1 PLACE ±0.2	±0.2	ANGULAR: ± 3°		THIS DRAWING CONTAINS INFORMATION THAT IS PROPRIETARY TO MOLEX INCORPORATED AND SHOULD NOT BE USED WITHOUT WRITTEN PERMISSION.		
DRAFT WHERE APPLICABLE MUST REMAIN WITHIN DIMENSIONS								