

**PLEASE CHECK WWW.MOLEX.COM FOR LATEST PART INFORMATION**

**Part Number:** [0003122121](#)  
**Status:** **Active**  
**Description:** 3.18mm (.125") Diameter, HCS-125 Pin and Socket Plug Housing, 12 Circuits, 3 Row, With Panel Mount Ears

**Documents:**

[3D Model](#) [RoHS Certificate of Compliance \(PDF\)](#)  
[Drawing \(PDF\)](#)

**Agency Certification**

UL E29179

**General**

Product Family Crimp Housings  
 Series [2201](#)  
 Product Name HCS-125

**Physical**

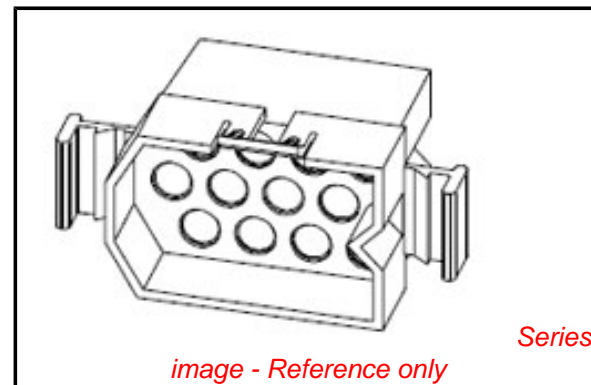
Circuits (maximum) 12  
 Color - Resin Natural  
 Flammability 94V-2  
 Gender Dual  
 Glow-Wire Compliant No  
 Material - Resin Nylon  
 Number of Rows 3  
 Packaging Type Bag  
 Panel Mount Yes  
 Pitch - Mating Interface (in) 0.260 In  
 Pitch - Mating Interface (mm) 6.60 mm  
 Stackable No  
 Temperature Range - Operating -40°C to +105°C

**Material Info**

Old Part Number 2201-P

**Reference - Drawing Numbers**

Sales Drawing SD-2201-\*



*image - Reference only*

**EU RoHS**

**ELV and RoHS  
 Compliant**  
**REACH SVHC  
 Contains SVHC: No**  
**Halogen-Free  
 Status**  
**Not Reviewed**

**China RoHS**



**Need more information on product  
 environmental compliance?**

Email [productcompliance@molex.com](mailto:productcompliance@molex.com)  
 For a multiple part number RoHS Certificate of  
 Compliance, [click here](#)

Please visit the [Contact Us](#) section for any  
 non-product compliance questions.

**Search Parts in this Series**

[2201Series](#)

**Mates With**

[2201r](#)

**Use With**

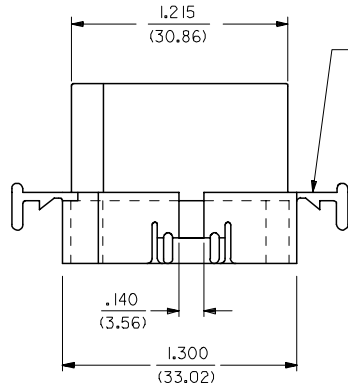
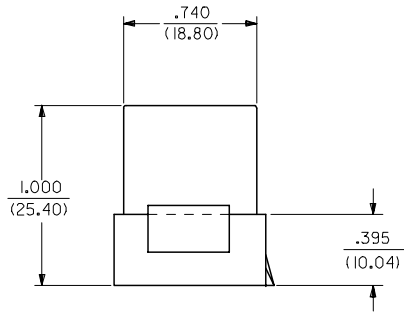
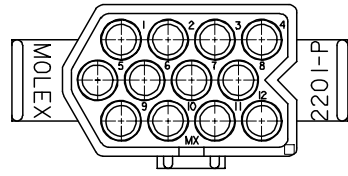
[8947](#) , [1900](#) male crimp terminals, [1901](#) ,  
[2046](#) , [2047](#) , [42546](#) , [42547](#) , [42554](#) , [42555](#)  
 , [8946](#)

**PLEASE CHECK WWW.MOLEX.COM FOR LATEST PART INFORMATION**

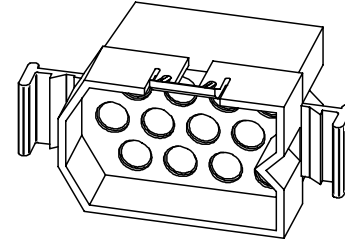
13 12 11 10 9 8 7 6 5 4 3 2 1

J  
I  
H  
G  
F  
E  
D  
C  
B  
A

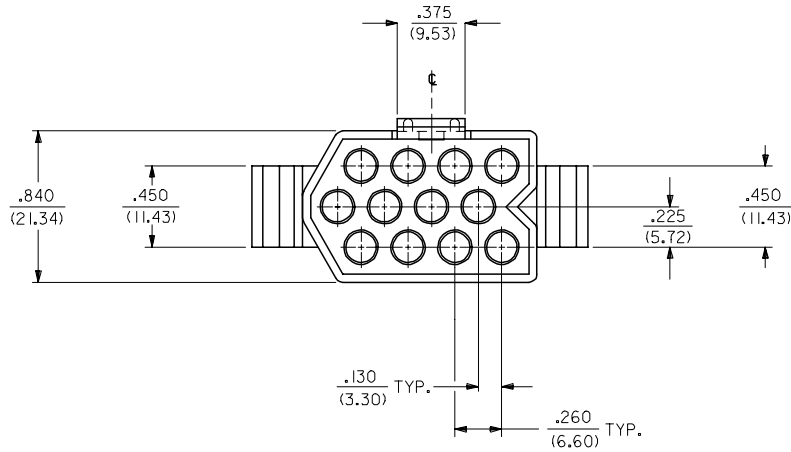
J  
I  
H  
G  
F  
E  
D  
C  
B  
A



MOUNTING EAR (2 PL.)  
(WHEN SPECIFIED)  
SEE SHT. 3



PLUG 2201-P



UPDATE TITLE BLOCK	QUALITY SYMBOLS
FC NO: UCP2007-0022	▽=0
DRW:NAELHAG 2006/07/21	▽=0
CHKD:LSHMDT 2006/07/21	
APPR:FSM TH 2006/07/21	
REV	DESCRIPTION

GENERAL TOLERANCES (UNLESS SPECIFIED)	
4 PLACES ± ---	± ---
3 PLACES ± ---	± .010
2 PLACES ± 0.25	± .014
1 PLACE ± 0.35	± ---
ANGULAR ±1/2°	
DRAFT WHERE APPLICABLE MUST REMAIN WITHIN DIMENSIONS	

DIMENSION STYLE	
IN/MM	
DRAWN BY	DATE
GEP	7/23/87
CHECKED BY	DATE
RW	7/23/87
APPROVED BY	DATE
RAS	7/23/87
MATERIAL NO.	
SEE CHART	

SCALE	DESIGN UNITS	THIRD ANGLE PROJECTION
1:1	INCH	☉ □
TITLE		
12 CIRCUIT HOUSING PLUG & RECEPTACLE		
MATERIAL NO.		
SD-2201-*		
DOCUMENT NO.		SHEET NO.
SD-2201-*		1 OF 3
THIS DRAWING CONTAINS INFORMATION THAT IS PROPRIETARY TO MOLEX INCORPORATED AND SHOULD NOT BE USED WITHOUT WRITTEN PERMISSION		

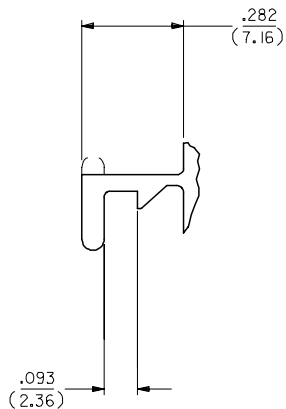
12 11 10 9 8 7 6 5 4 3 2 1

13 12 11 10 9 8 7 6 5 4 3 2 1

PLUG

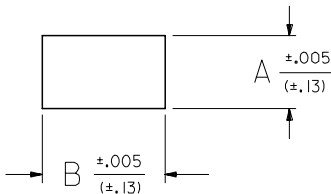
RECEPTACLE

PART NO.	ENG. NO.	DESCRIPTION	PART NO.	ENG. NO.	DESCRIPTION
03-12-2121	2201-P	PLUG WITH STANDARD EARS (DETAIL I)	03-12-1121	2201-R	RECEPTACLE WITH STANDARD EARS (DETAIL I)



DETAIL I  
STANDARD MOUNTING EAR  
SCALE 4:1

MOUNTING PANEL OPENING		
HOUSING	DIM. "A"	DIM. "B"
PLUG	.855/(21.72)	1.460/(37.08)
RECEPTACLE	.810/(20.57)	1.360/(34.54)



NOTES:

- 1) MATERIAL: NYLON TYPE 6/6, 94V-2, NATURAL.
- 2) FINISH: N/A
- 3) PRODUCT SPECS: NONE.
- 4) PACKAGING SPECS: BULK PACK PER PK-2201-001.
- 5) FOR USE WITH .125/(3.18) DIA. SERIES TERMINALS.
- 6) MAXIMUM PANEL THICKNESS .090/(2.29).

ADD NOTES 2, 3&4 EC NO: UCP2007-0022 DRAWN: AELHAG 2006/07/21 CHKD: LSJHMT 2006/07/21 APPR: FSM TH 2006/07/21 REV: DESCRIPTION	QUALITY SYMBOLS	GENERAL TOLERANCES (UNLESS SPECIFIED)	DIMENSION STYLE	SCALE	DESIGN UNITS	THIRD ANGLE PROJECTION
	=0 =0	mm INCH 4 PLACES ± --- ± --- 3 PLACES ± --- ± .010 2 PLACES ± 0.25 ± .014 1 PLACE ± 0.35 ± --- ANGULAR ±1/2°	IN/MM	1:1	INCH	
			DRAWN BY	DATE	TITLE	
			CHECKED BY	DATE		
			APPROVED BY	DATE		
			MATERIAL NO.	DOCUMENT NO.		
		DRAFT WHERE APPLICABLE MUST REMAIN WITHIN DIMENSIONS	SEE CHART	SD-2201-*		
			SIZE	THIS DRAWING CONTAINS INFORMATION THAT IS PROPRIETARY TO MOLEX INCORPORATED AND SHOULD NOT BE USED WITHOUT WRITTEN PERMISSION		

12 CIRCUIT HOUSINGS,  
PLUG AND RECEPTACLE,  
.125 DIA.

**molex** MOLEX INCORPORATED

SHEET NO.  
3 OF 3

12 11 10 9 8 7 6 5 4 3 2 1