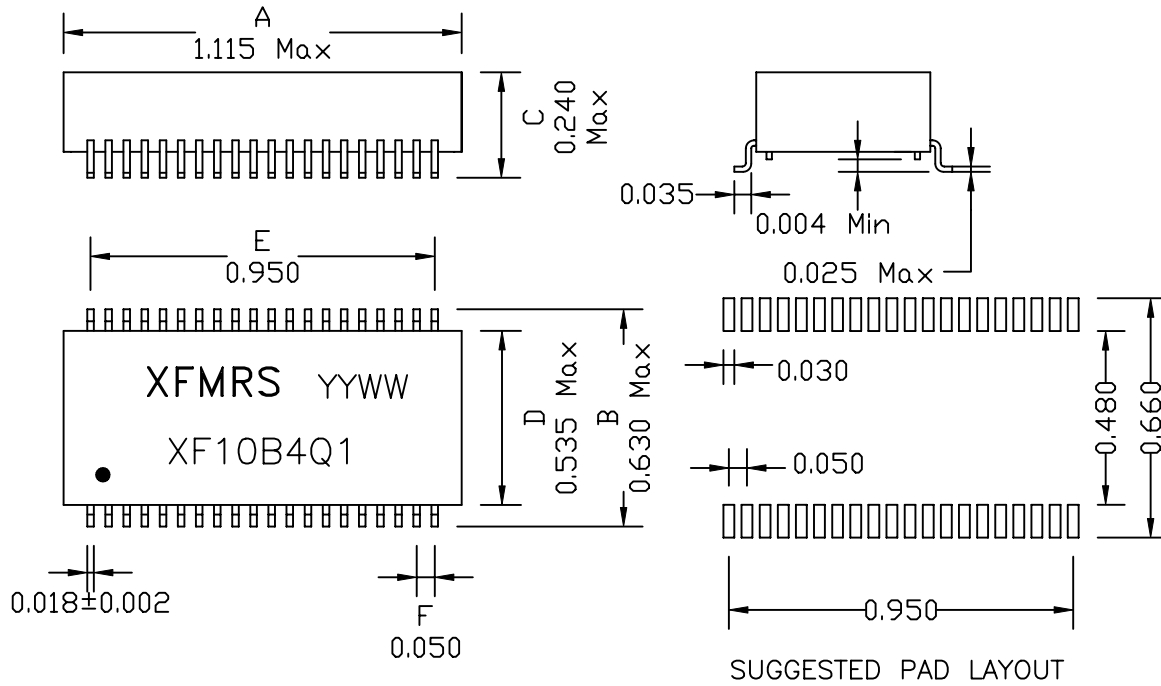
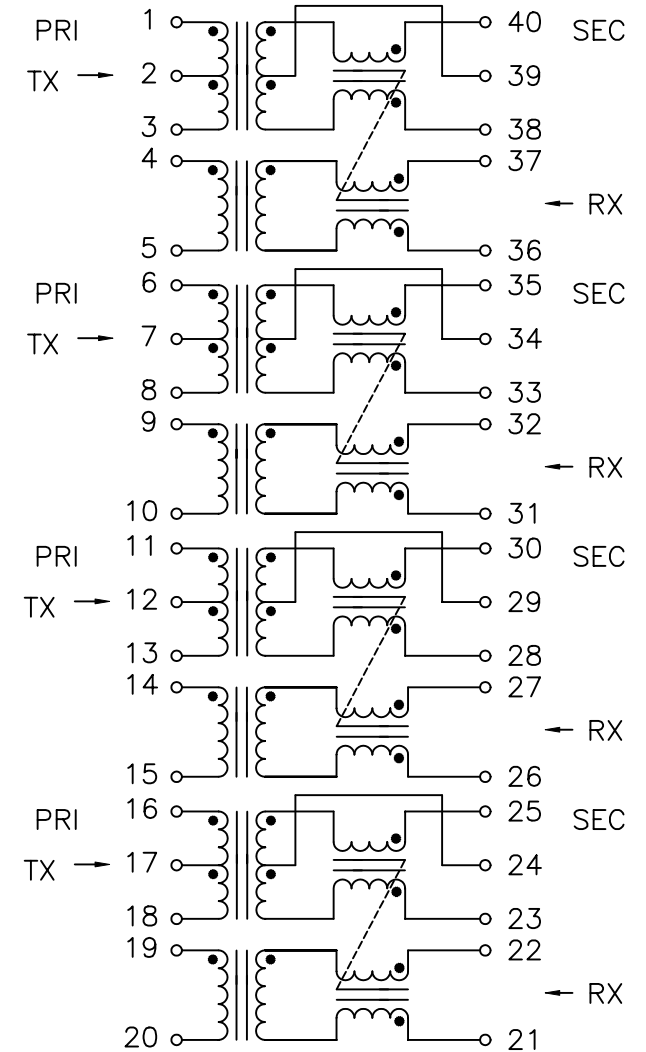


1. Mechanical Dimensions:



2. Schematic:



3. Electrical Specifications: @25°C

PRI OCL: TX 35uH Typ @100KHz 0.1V
 RX 200uH Min @100KHz 0.1V
 PRI LL: TX 0.10uH Max @100KHz 0.1V, Short SEC
 RX 0.40uH Max @100KHz 0.1V, Short SEC
 CW/W: 15pF Max @100KHz 0.1V (PRI/SEC)
 PRI DCR: TX 0.300 Ohms Max
 RX 0.500 Ohms Max
 Turns Ratio: PRI/SEC TX 1CT:2.5CT±3% RX 1:1±3%
 Isolation Voltage: 1500Vrms

Notes:

- Solderability: Leads shall meet MIL-STD-202, Method 208D for solderability.
- Flammability: UL94V-0
- ASTM oxygen index: > 28%
- Insulation System: Class F 155°C. UL file E151556
- Operating Temperature Range: All listed parameters are to be within tolerance from -40°C to +85°C
- Storage Temperature Range: -55°C to +125°C
- Aqueous wash compatible
- SMD Lead Coplanarity: ±0.004"(0.102mm)
- Moisture Sensitivity: Level 2

DOC REV: A/2

XFMRS Inc		Title: Quad Port 10BASE-TX Module	
UNLESS OTHERWISE SPECIFIED TOLERANCES: .xxx ±0.010	P/N: XF10B4Q1	REV. A	
	Dimensions in INCH	DWN. 李清儿	Aug-17-04
SCALE 2:1 SHT 1 OF 1	CHK. 孙小悦	APP. MS	Aug-17-04

PROPRIETARY

Document is the property of XFMRS Group & is not allowed to be duplicated without authorization.