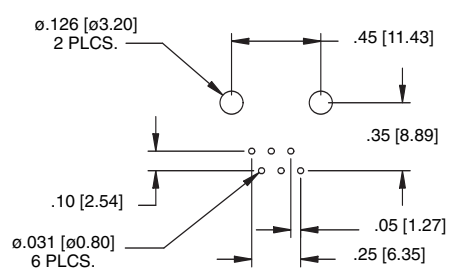
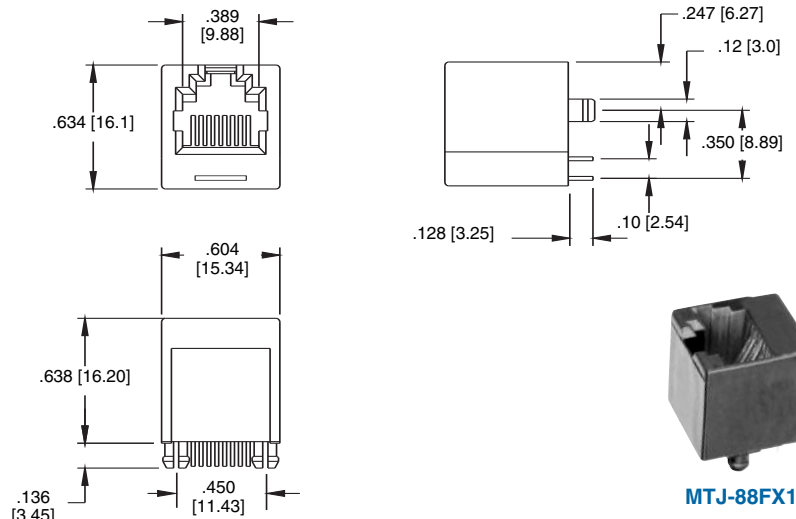
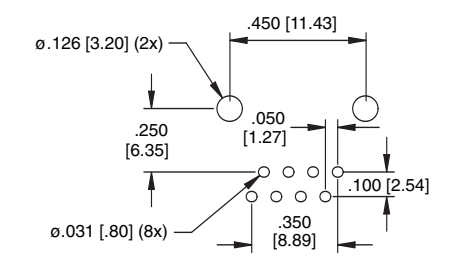
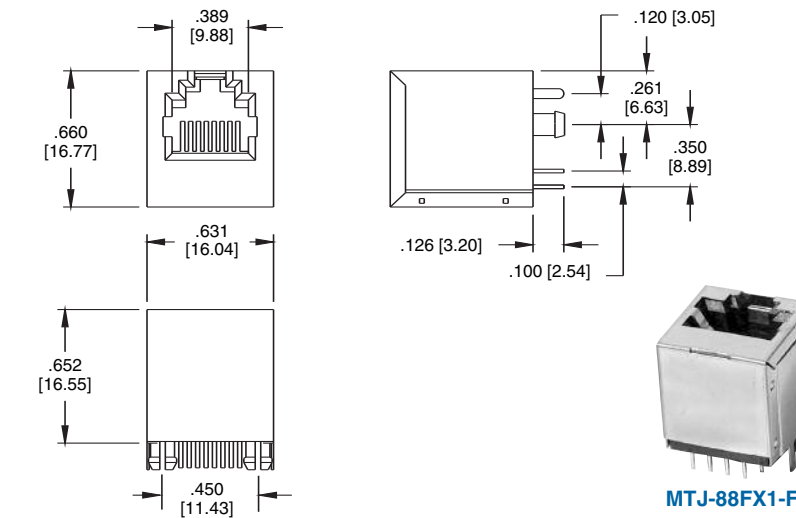
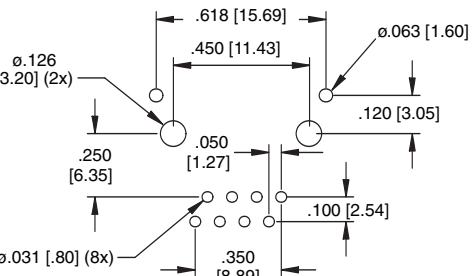
 <p>Dimensions for MTJ-66FX1:</p> <ul style="list-style-type: none"> Top view: .389 [9.88] (width), .634 [16.1] (height) Side view: .247 [6.27] (top offset), .12 [3.0] (wire offset), .350 [8.89] (wire length), .10 [2.54] (wire diameter), .128 [3.25] (body width) Bottom view: .604 [15.34] (width), .638 [16.20] (height), .136 [3.45] (bottom offset), .450 [11.43] (bottom width) <p>MTJ-66FX1</p>	<p>Ordering Information pg. 9</p> <p>TYPE F 6P6C</p>  <p>Recommended PCB Layout for MTJ-66FX1:</p> <ul style="list-style-type: none"> 2 PLCS. (2x) $\phi .126$ [3.20] .45 [11.43] (pitch) .35 [8.89] (offset) .10 [2.54] (wire diameter) 6 PLCS. (6x) $\phi .031$ [0.80] .05 [1.27] (offset) .25 [6.35] (pitch) <p>Recommended PCB Layout</p>
 <p>Dimensions for MTJ-88FX1:</p> <ul style="list-style-type: none"> Top view: .389 [9.88] (width), .634 [16.1] (height) Side view: .247 [6.27] (top offset), .12 [3.0] (wire offset), .350 [8.89] (wire length), .10 [2.54] (wire diameter), .128 [3.25] (body width) Bottom view: .604 [15.34] (width), .638 [16.20] (height), .136 [3.45] (bottom offset), .450 [11.43] (bottom width) <p>MTJ-88FX1</p>	<p>TYPE F 8P8C</p>  <p>Recommended PCB Layout for MTJ-88FX1:</p> <ul style="list-style-type: none"> $\phi .126$ [3.20] (2x) .450 [11.43] (pitch) .250 [6.35] (offset) .050 [1.27] (wire diameter) $\phi .031$ [.80] (8x) .350 [8.89] (pitch) .100 [2.54] (offset) <p>Recommended PCB Layout</p>
 <p>Dimensions for MTJ-88FX1-FS:</p> <ul style="list-style-type: none"> Top view: .389 [9.88] (width), .660 [16.77] (height) Side view: .120 [3.05] (top offset), .261 [6.63] (wire offset), .350 [8.89] (wire length), .100 [2.54] (wire diameter), .126 [3.20] (body width) Bottom view: .631 [16.04] (width), .652 [16.55] (height), .450 [11.43] (bottom width) <p>MTJ-88FX1-FS</p>	<p>TYPE F SHIELDED 8P8C</p>  <p>Recommended PCB Layout for MTJ-88FX1-FS:</p> <ul style="list-style-type: none"> $\phi .126$ [3.20] (2x) .618 [15.69] (pitch) .450 [11.43] (pitch) $\phi .063$ [1.60] (wire diameter) .120 [3.05] (offset) .250 [6.35] (offset) .050 [1.27] (wire diameter) $\phi .031$ [.80] (8x) .350 [8.89] (pitch) .100 [2.54] (offset) <p>Recommended PCB Layout</p>