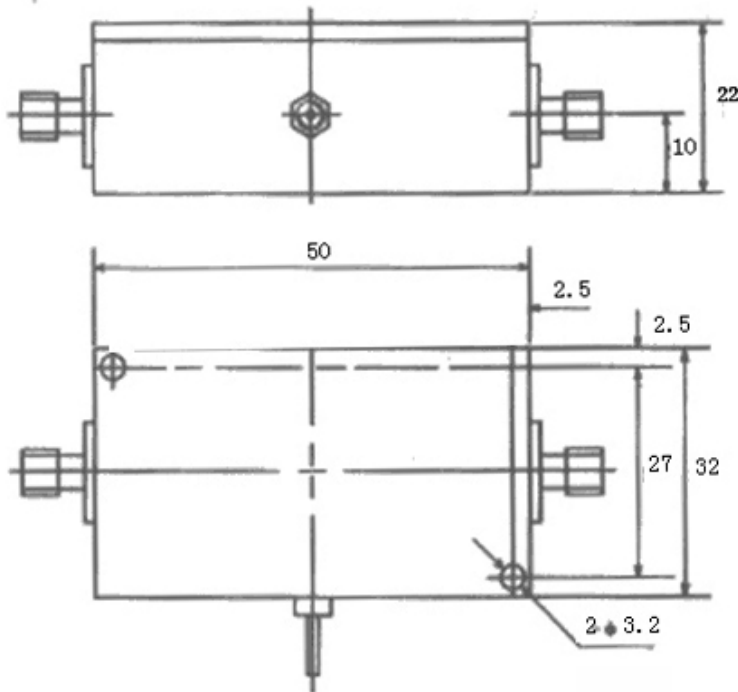


Low Noise Amplifier

P/N: JXWBLA-T-3100-3500-40

Center Frequency(MHz)	3300
Bandwidth(MHz)	±200
Gain(dB)	40
Noise Figure(dB)	5.0
VSWR	2.5
Pout@1dB(dBm)	27
Power Supply(V)	+12
Connector	SMA-Female
Operating Temperature(°C)	-10 ~ +50
Net Weight(Kg)	0.075

Outline Drawing (Size: mm)



For current data sheets, please contact: sales@aacix.com