

PLEASE CHECK WWW.MOLEX.COM FOR LATEST PART INFORMATION

Part Number: [0190980047](#)
Status: **Active**
Description: Krimptite™ Snap Spade Terminal, for 14-16 AWG Wire, Stud Size 8 (M4), 16.41mm (.646") Length

Documents:

[Drawing \(PDF\)](#) [RoHS Certificate of Compliance \(PDF\)](#)

Agency Certification

CSA LR18689
 UL E32244

General

Product Family Ring and Spade Terminals
 Series [19098](#)
 Crimp Quality Equipment Yes
 Mil-Spec N/A
 Product Name Krimptite™
 Type Spade Snap

Physical

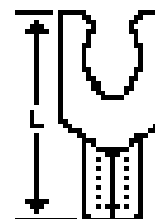
Barrel Type Closed
 Insulation None
 Material - Plating Mating Tin
 Packaging Type Bag
 Stud Size 8 (M4)
 Wire Size AWG 14, 16
 Wire Size mm² 1.30 - 2.00

Material Info

Old Part Number BB-1716-08

Reference - Drawing Numbers

Sales Drawing BBCD10503



Series
 image - Reference only

EU RoHS

ELV and RoHS Compliant
REACH SVHC Contains SVHC: No
Halogen-Free Status

China RoHS



Need more information on product environmental compliance?

Email productcompliance@molex.com
 For a multiple part number RoHS Certificate of Compliance, [click here](#)

Please visit the [Contact Us](#) section for any non-product compliance questions.

Search Parts in this Series

[19098Series](#)

Application Tooling | [FAQ](#)

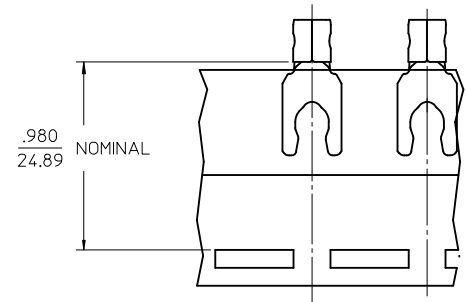
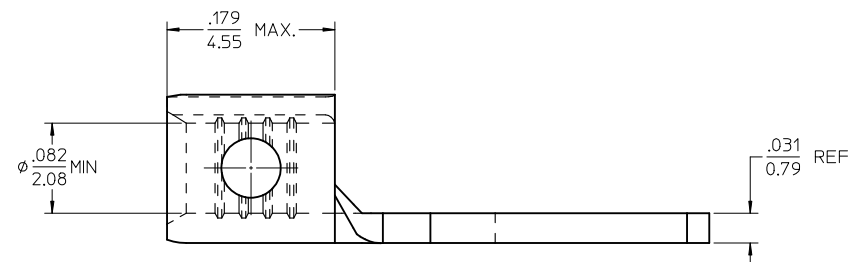
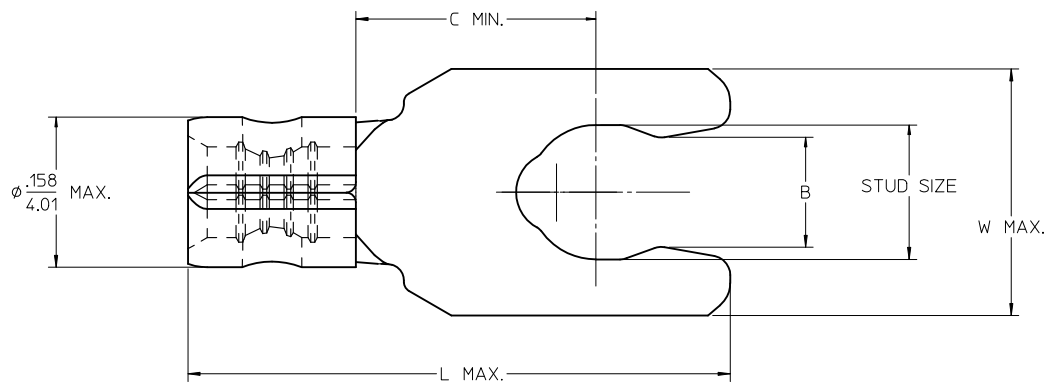
Tooling specifications and manuals are found by selecting the products below. Crimp Height Specifications are then contained in the Application Tooling Specification document.

Global

Description	Product #
Hand Crimp Tool	0640030100
Crimp Head for the AT-200™ Pneumatic Hand Tool	0640070100

LOOSE PIECE		TAPE MOUNTED						
MATERIAL NO.	ENGINEERING NO.	MATERIAL NO.	ENGINEERING NO.	STUD SIZE	DIMENSION B	DIMENSION C	DIMENSION L	DIMENSION W
190980041	BB-1707-05	190980042	BB-1707-05T	5	.105/2.67	.230/5.84	.585/14.86	.265/6.73
190980043	BB-1707-06	190980044	BB-1707-06T	6	.114/2.90	.230/5.84	.585/14.86	.265/6.73
190980047	BB-1716-08	190980048	BB-1716-08T	8	.139/3.53	.261/6.63	.646/16.41	.320/8.13
190980049	BB-1717-10	190980050	BB-1717-10T	10	.156/3.96	.261/6.63	.694/17.63	.340/8.64

(B)
(B)



PARTS ON TAPE

- NOTES:
 1. MATERIAL: COPPER .031/0.79 THICK
 2. PLATING: ELECTRO-TIN
 3. PARTS ARE RoHS COMPLIANT

INCR TONGUE WIDTH EC NO: WNA2010-0646 DRWR: DRWINRSTONE 2007/07/05 CHKD: J. MACNEIL 2010/04/27 APPR: J. MACNEIL 2010/05/14	QUALITY SYMBOLS ▽=1 ▽=2	GENERAL TOLERANCES (UNLESS SPECIFIED)		DIMENSION STYLE IN/MM	SCALE 10:1	DESIGN UNITS INCH	THIRD ANGLE PROJECTION		
		4 PLACES ± --- ± ---	3 PLACES ± --- ± .005	2 PLACES ± 0.13 ± .01	1 PLACE ± 0.25 ± ---	DRAWN BY KO	DATE 1984/10/19	TITLE SNAP SPADE TONGUE TERMINAL, 16-14 AWG	
		ANGULAR ± 1/2°		DRAFT WHERE APPLICABLE MUST REMAIN WITHIN DIMENSIONS		CHECKED BY GZ	DATE 1984/11/02	APPROVED BY ---	
		MATERIAL NO. SEE CHART		DOCUMENT NO. SD-19098-004		SHEET NO. 1 OF 1		MOLLEX INCORPORATED	

THIS DRAWING CONTAINS INFORMATION THAT IS PROPRIETARY TO MOLEX INCORPORATED AND SHOULD NOT BE USED WITHOUT WRITTEN PERMISSION