

**isc Silicon NPN Power Transistor**

**BD933/935/937/939/941**

**DESCRIPTION**

- DC Current Gain-  
:  $h_{FE} = 40(\text{Min}) @ I_C = 150\text{mA}$
- Complement to Type BD934/936/938/940/942

**APPLICATIONS**

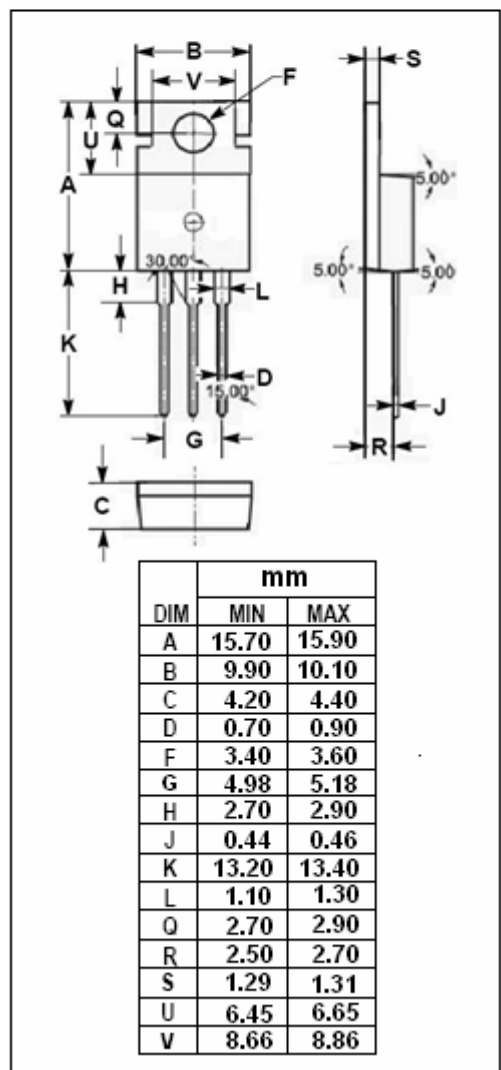
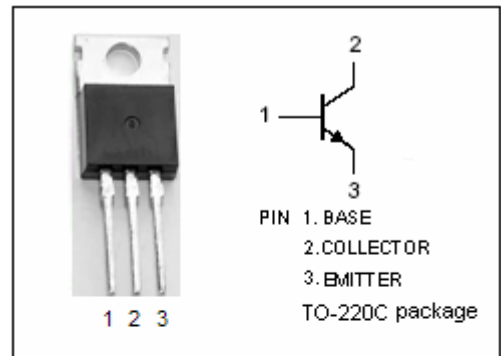
- Designed for use in output stages of audio and television amplifier circuits where high peak powers can occur.

**ABSOLUTE MAXIMUM RATINGS( $T_a = 25^\circ\text{C}$ )**

SYMBOL	PARAMETER	VALUE	UNIT	
$V_{CBO}$	Collector-Base Voltage	BD933	45	V
		BD935	60	
		BD937	100	
		BD939	120	
		BD941	140	
$V_{CEO}$	Collector-Emitter Voltage	BD933	45	V
		BD935	60	
		BD937	80	
		BD939	100	
		BD941	120	
$V_{EBO}$	Emitter-Base Voltage	5	V	
$I_C$	Collector Current-Continuous	3	A	
$I_{CM}$	Collector Current-Peak	7	A	
$I_B$	Base Current-Continuous	0.5	A	
$P_C$	Collector Power Dissipation @ $T_C = 25^\circ\text{C}$	30	W	
$T_J$	Junction Temperature	150	$^\circ\text{C}$	
$T_{stg}$	Storage Temperature Range	-65~150	$^\circ\text{C}$	

**THERMAL CHARACTERISTICS**

SYMBOL	PARAMETER	MAX	UNIT
$R_{th\ j-c}$	Thermal Resistance, Junction to Case	4.17	$^\circ\text{C/W}$
$R_{th\ j-a}$	Thermal Resistance, Junction to Ambient	70	$^\circ\text{C/W}$



## isc Silicon NPN Power Transistor

## BD933/935/937/939/941

## ELECTRICAL CHARACTERISTICS

 $T_C=25^\circ\text{C}$  unless otherwise specified

SYMBOL	PARAMETER	CONDITIONS	MIN	TYP.	MAX	UNIT
$V_{CEO(SUS)}$	Collector-Emitter Sustaining Voltage	$I_C=100\text{mA}; I_B=0$	45			V
			60			
			80			
			100			
			120			
$V_{CE(sat)}$	Collector-Emitter Saturation Voltage	$I_C=1\text{A}; I_B=0.1\text{A}$			0.6	V
$V_{BE(on)}$	Base-Emitter On Voltage	$I_C=1\text{A}; V_{CE}=2\text{V}$			1.3	V
$I_{CBO}$	Collector Cutoff Current	$V_{CB}=V_{CB0max}; I_E=0$ $V_{CB}=V_{CB0max}; I_E=0, T_J=150^\circ\text{C}$			0.05 1	mA
$I_{CEO}$	Collector Cutoff Current	$V_{CE}=V_{CE0max}; I_B=0$			0.1	mA
$I_{EBO}$	Emitter Cutoff Current	$V_{EB}=5\text{V}; I_C=0$			0.2	mA
$h_{FE-1}$	DC Current Gain	$I_C=150\text{mA}; V_{CE}=2\text{V}$	40		250	
$h_{FE-2}$	DC Current Gain	$I_C=1\text{A}; V_{CE}=2\text{V}$	25			
$f_T$	Current-Gain—Bandwidth Product	$I_C=250\text{mA}; V_{CE}=10\text{V}$	3			MHz

## Switching Times

$t_{on}$	Turn-On Time	$I_C=1.0\text{A}; I_{B1}=-I_{B2}=0.1\text{A}$		0.4	1.0	$\mu\text{s}$
$t_{off}$	Turn-Off Time			1.5	3.0	$\mu\text{s}$