



TAI-SAW TECHNOLOGY CO., LTD.

No. 3, Industrial 2nd Rd., Ping-Chen Industrial District,
Taoyuan, 324, Taiwan, R.O.C.

TEL: 886-3-4690038 FAX: 886-3-4697532

E-mail: tstsales@mail.taisaw.com Web: www.taisaw.com

Approval Sheet For Product Specification

Issued Date:

Product Name: SAW Resonator 300 MHz SMD 3.8X3.8 mm

TST Parts No.: TC0267A

Customer Parts No.: _____

Company: _____
Division: _____
Approved by : _____
Date: _____

Checked by: _____ Asin Lin

Approval by: _____ Francis Chen

Date: _____ 2004/12/8



TAI-SAW TECHNOLOGY CO., LTD.

No. 3, Industrial 2nd Rd., Ping-Chen Industrial District,
Taoyuan, 324, Taiwan, R.O.C.

TEL: 886-3-4690038 FAX: 886-3-4697532

E-mail: tstsales@mail.taisaw.com Web: www.taisaw.com

SAW Resonator 300 MHz

MODEL NO.: TC0267A

REV. NO.:1

A. FEATURES:

1. 1-Port Resonator.

RoHS Compliant
Lead free
Lead-free soldering

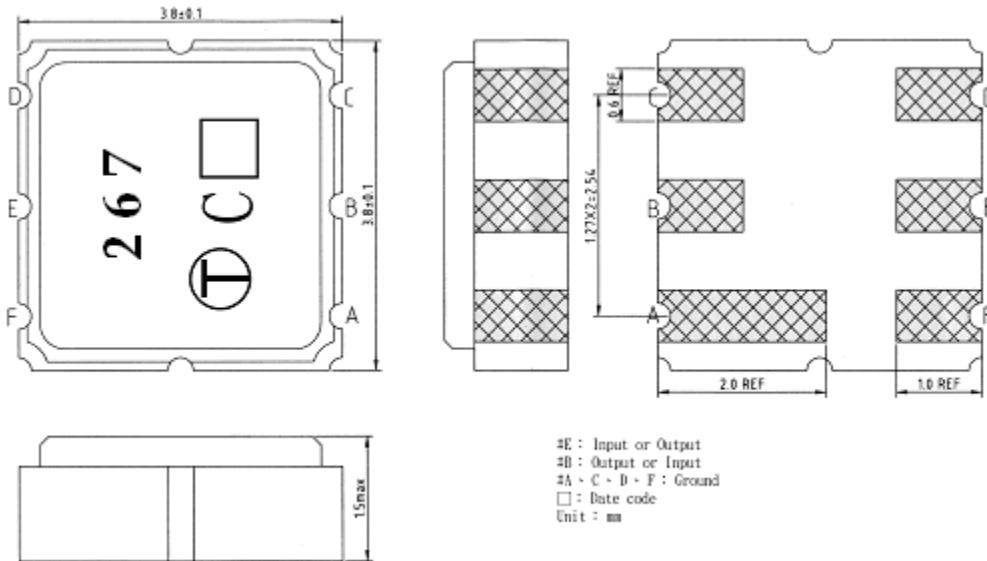
B. MAXIMUM RATING:

1. Input Power Level: 0 dBm
2. DC voltage: 12 V
3. Operating Temperature: -40°C to +85°C
4. Storage Temperature: -40°C to +85°C

C. ELECTRICAL CHARACTERISTICS:

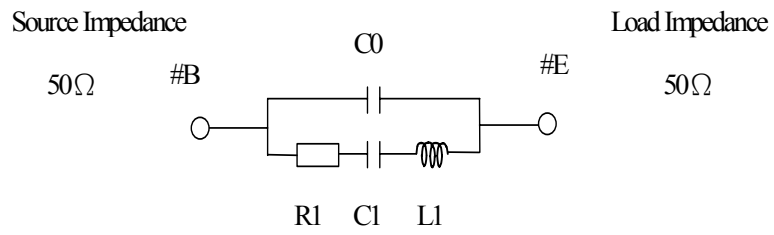
Characteristic	Units	Minimum	Typical	Maximum
Center frequency Fr	MHz	299.925	300	300.075
Insertion Loss IL	dB	-	1.7	2.5
Equivalent Elements				
Motional capacitance C1	fF	-	3.46	-
Motional inductance L1	μH	-	81.136	-
Motional resistance R1	Ohm	-	18.89	-
Parallel capacitance Co	pF	-	5.08	-
Temp. coeff.	ppm/c*2	-	0.032	-
Turnover To	deg.C	10	25	40
Package size		SMD 3.8X3.8X1.2mm		

D. OUTLINE DRAWING:

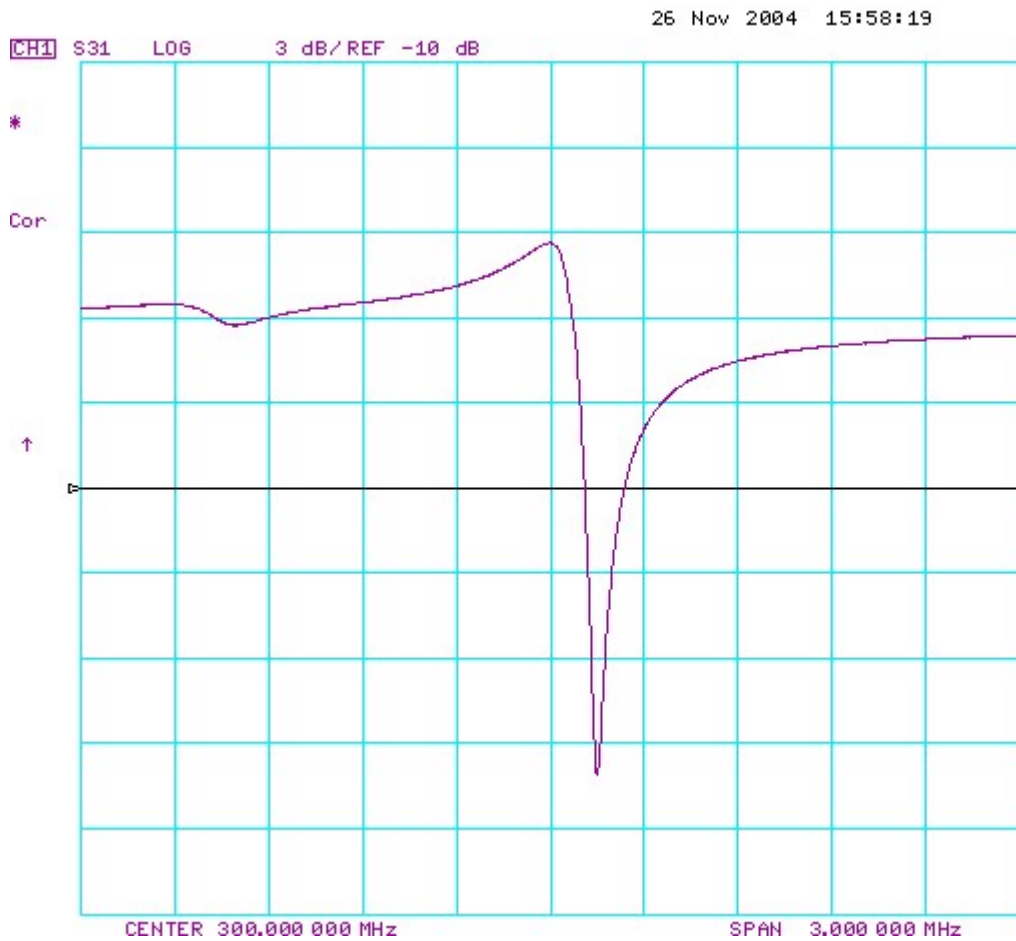


E. EQUIVALENT CIRCUIT:

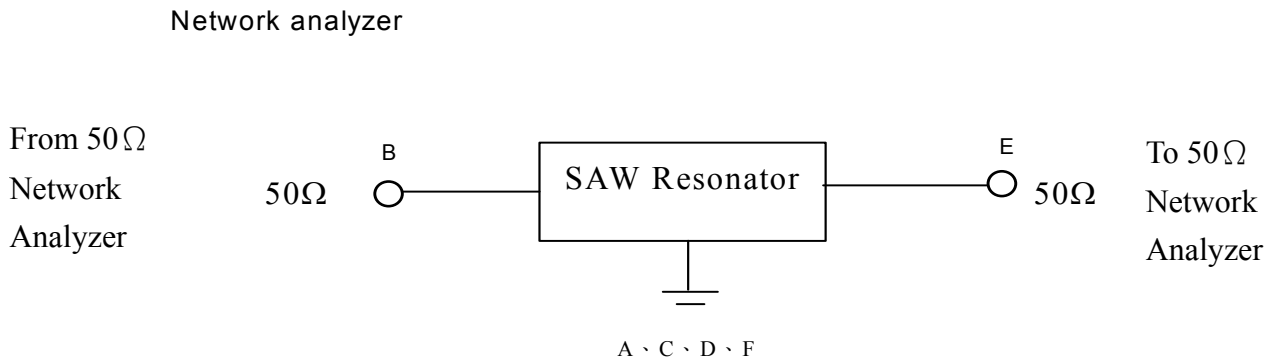
One-Port Resonator:



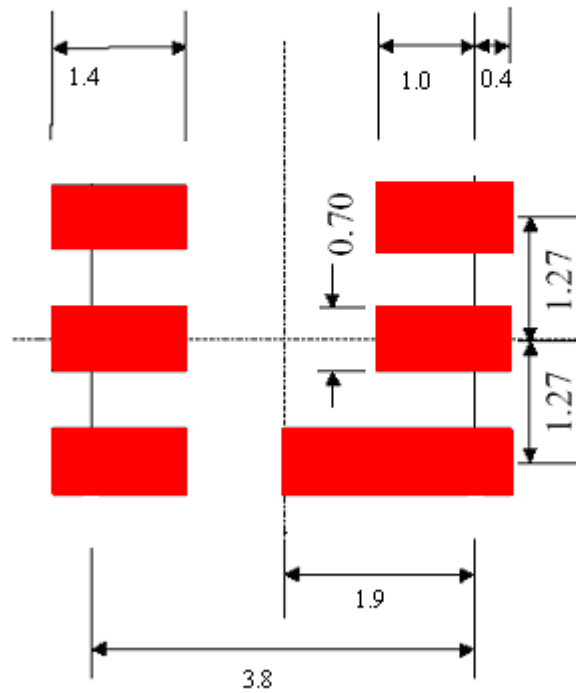
F. FREQUENCY CHARACTERISTICS:



G. TEST CIRCUIT:

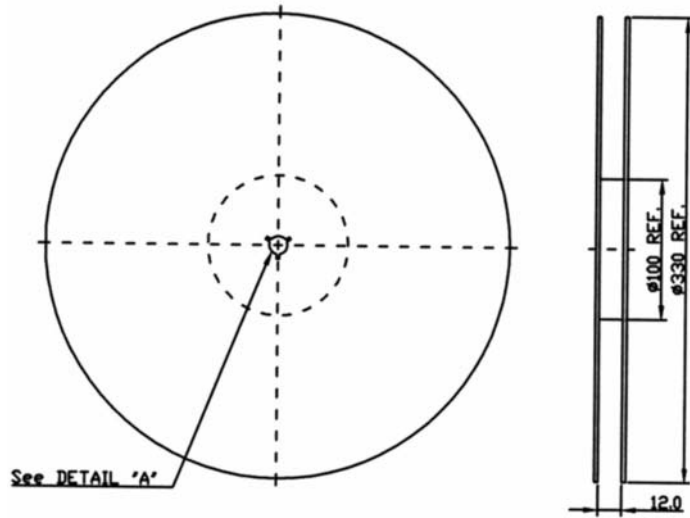


H. PCB FOOTPRINT



I. PACKING:

1. REEL DIMENSION



2. TAPE DIMENSION

