



Approved by:

Checked by:

Issued by:

# SPECIFICATION

PRODUCT: SAW FILTER

---

MODEL: HB3624D (X7253D) SIP5D

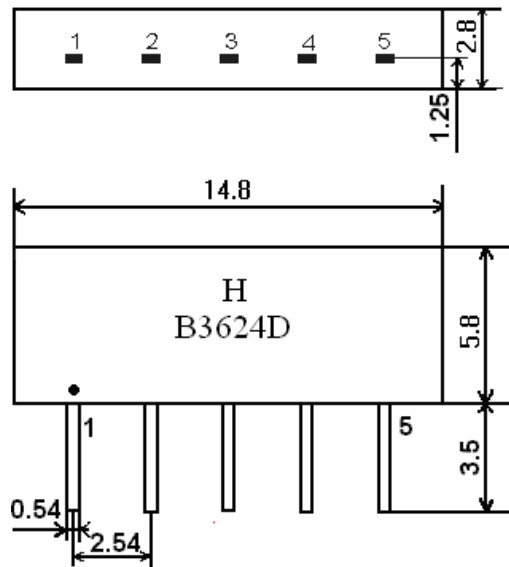
---

**HOPE MICROELECTRONICS CO., LIMITED**

# 1. Construction

## 1.1 Dimension and materials

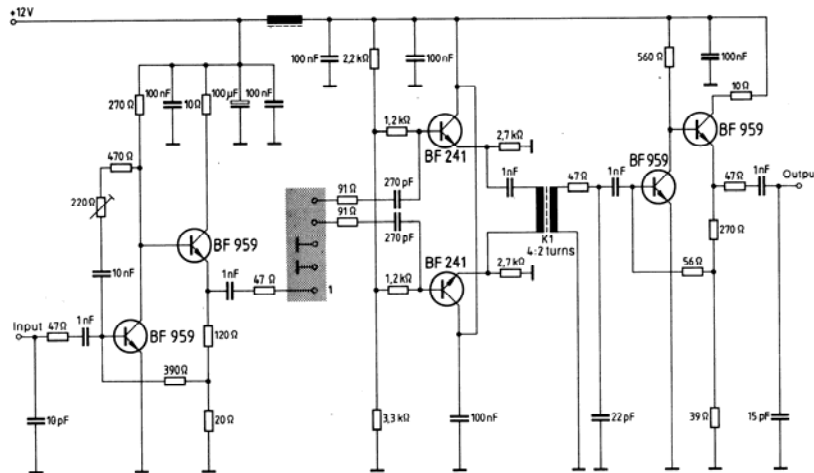
Type : B3624D



Unit : mm

- 1 Input
- 2 Switching Input
- 3 Chip carrier - ground
- 4 Output
- 5 Output

## 1.2. Circuit construction, measurement circuit



Test circuit for SIP-5 filter  
Input impedance of the symmetrical post-amplifier: 2 kΩ in parallel with 3 pF

# 2.Characteristics

## Standard atmospheric conditions

Unless otherwise specified , the standard range of atmospheric conditions for making measurements and tests is as follows;

- Ambient temperature : 15°C to 35°C
- Relative humidity : 25% to 85%
- Air pressure : 86kPa to 106kPa

### Operating temperature rang

Operating temperature rang is the rang of ambient temperatures in which the filter can be

operated continuously.  $-10^{\circ}\text{C} \sim +60^{\circ}\text{C}$

### Storage temperature rang

Storage temperature rang is the rang of ambient temperatures at which the filter can be stored without damage.

Conditions are as specified elsewhere in these specifications.  $-40^{\circ}\text{C} \sim +70^{\circ}\text{C}$

Reference temperature  $+25^{\circ}\text{C}$

## 2.1 Maximum Rating

<b>DC voltage</b>	<b>VDC</b>	<b>12</b>	<b>V</b>	<b>Between any terminals</b>
<b>AC voltage</b>	<b>Vpp</b>	<b>10</b>	<b>V</b>	<b>Between any terminals</b>

## 2.2 Characteristics of channel 1 (switching input pin 2 connected to ground)

Source impedance  $Z_s=50\ \Omega$

Load impedance  $Z_L=2k\ \Omega // 3pF$   $T_A=25^{\circ}\text{C}$

Item	Freq	min	typ	max	
<b>Center frequency</b>	$F_0$	-	36.00	-	MHz
<b>Insertion attenuation</b> Reference level	36.00MHz	19.0	21.0	23.0	dB
<b>Pass bandwidth</b>	B3dB	-	7.7	-	MHz
	B15dB	-	8.3	-	MHz
Relative attenuation	30.75MHz	38.0	48.0	-	dB
	40.25MHz	16.0	28.0	-	dB
	40.75MHz	30.0	39.0	-	dB
	41.25MHz	32.0	41.0	-	dB
	31.80MHz	10.0	17.0	-	dB
<b>Sidelobe</b>	25.00~30.750MHz	32.0	39.0	-	dB
	41.50~45.00MHz	32.0	40.0	-	dB
<b>Reflected wave signal suppression</b> 1.2 us ... 6.0 us after main pulse (test pulse 250 ns , carrier frequency 36.00MHz)		40.0	48.0		dB
<b>Group delay ripple (p-p)</b> 32.20~39.80 MHz		-	60	-	ns
<b>Temperature coefficient</b>			-72		ppm/k

**Characteristics of channel 2 (switching input pin 2 connected to pin 1)**

Source impedance

$Z_S=50\ \Omega$

Load impedance

$Z_L=2k\ \Omega //3pF$

$T_A=25^\circ C$

Item	Freq	min	typ	max	
<b>Center frequency</b>	Fo	-	36.00	-	MHz
<b>Insertion attenuation</b> Reference level	36.00MHz	18.5	20.5	22.5	dB
<b>Pass bandwidth</b>	B3dB	-	6.8	-	MHz
	B30dB	-	7.3	-	MHz
Relative attenuation	31.25MHz	32.0	41.0	-	dB
	39.75MHz	15.0	25.0	-	dB
	32.33MHz	8.0	13.0	-	dB
<b>Sideloobe</b>	25.00~31.25MHz	32.0	37.0	-	dB
	41.25~45.00MHz	30.0	36.0	-	dB
<b>Reflected wave signal suppression</b> 1.2 us ... 6.0 us after main pulse (test pulse 250 ns , carrier frequency 36.00MHz)		40.0	48.0		dB
<b>Group delay ripple (p-p)</b> 32.70~39.30 MHz		-	60	-	ns
<b>Temperature coefficient</b>			-72		ppm/k

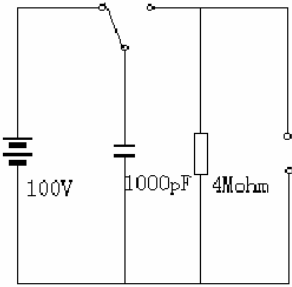
**2.3 Environmental Performance Characteristics**

Item Test condition	Allowable change of absolute Level at center frequency(dB)
High temperature test 70°C 1000H	< 1.0
Low temperature test -40°C 1000H	< 1.0
Humidity test 40°C 90-95% 1000H	< 1.0
Thermal shock -20°C==25°C==80°C 20 cycle 30M 10M 30M	< 1.0
Solder temperature test Sold temp.260°C for 10 sec.	< 1.0
Soldering Immerse the pins melt solder at 260°C+5/-0°C for 5 sec.	More then 95% of total area of the pins should be covered with solder

## 2.4 Mechanical Test

Item Test condition	Allowable change of absolute Level at center frequency(dB)
Vibration test 600-3300rpm amplitude 1.5mm 3 directions 2 H each	<1.0
Drop test On maple plate from 1 m high 3 times	<1.0
Lead pull test Pull with 1 kg force for 30 seconds	<1.0
Lead bend test 90° bending with 500g weigh 2 times	<1.0

## 2.5 Voltage Discharge Test

Item Test condition	Allowable change of absolute Level at center frequency(dB)
Surge test Between any two electrode  	<1.0