

**PLEASE CHECK WWW.MOLEX.COM FOR LATEST PART INFORMATION**

**Part Number:** [0357500300](#)  
**Status:** **Active**  
**Description:** Ring Tongue Terminal for 24-28 AWG (0.08~0.20mm<sup>2</sup>), Stud Size 1-2 M1.7-2.2, Unplated

**Documents:**

[Drawing \(PDF\)](#) [RoHS Certificate of Compliance \(PDF\)](#)  
[Product Specification PS-35750-0300 \(PDF\)](#)

**Agency Certification**

UL E134962

**General**

Product Family Ring and Spade Terminals  
 Series [35750](#)  
 Crimp Quality Equipment Yes  
 Mil-Spec N/A  
 Product Name N/A  
 Type Ring

**Physical**

Barrel Type Open  
 Insulation None  
 Material - Plating Mating Tin  
 Packaging Type Reel  
 Stud Size 1-2 (M2)  
 Temperature Range - Operating -40°C to +105°C  
 Termination Interface: Style Crimp or Compression  
 Wire Insulation Diameter 1.50mm (.059") max.  
 Wire Size AWG 24, 26, 28  
 Wire Size mm<sup>2</sup> 0.08 - 0.20

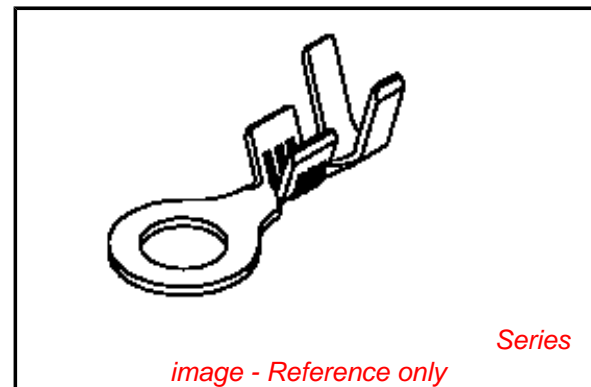
**Electrical**

Voltage - Maximum 300V AC

**Material Info**

**Reference - Drawing Numbers**

Product Specification PS-35750-0300  
 Sales Drawing SD-35750-03\*0



**EU RoHS**

**ELV and RoHS Compliant**  
**REACH SVHC Contains SVHC: No**  
**Halogen-Free Status**

**China RoHS**



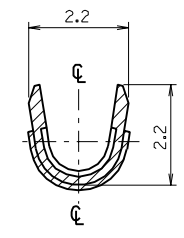
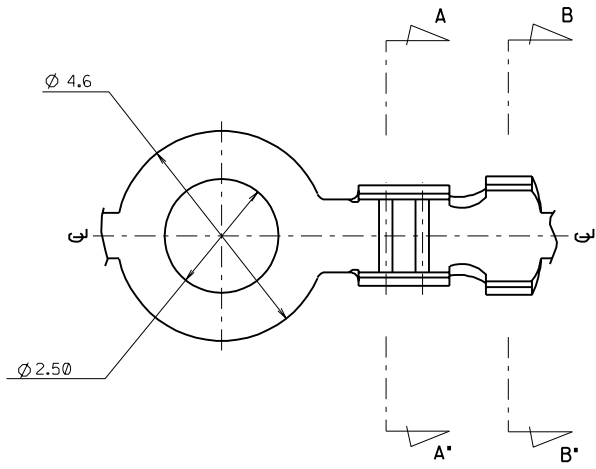
**Need more information on product environmental compliance?**

Email [productcompliance@molex.com](mailto:productcompliance@molex.com)  
 For a multiple part number RoHS Certificate of Compliance, [click here](#)

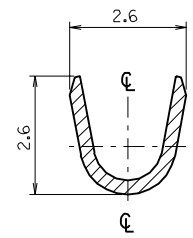
Please visit the [Contact Us](#) section for any non-product compliance questions.

**Search Parts in this Series**  
[35750Series](#)

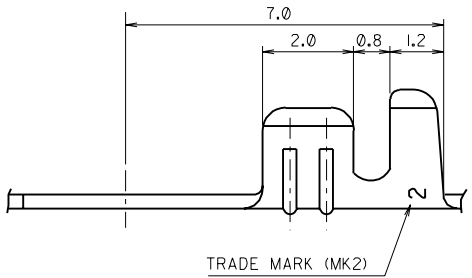
DO NOT SCALE DRAWING  
 DIMENSION IN METRIC  
 PROJECT NO.  
 SIMILAR ITEM  
 EDP NO.  
 ENG. NO. SD 35750-03-0



SECTION: A-A\*



SECTION: B-B\*



NOTES

1. MATERIAL: BRASS 0.3 THICKNESS
2. FINISH: 35750-0300:NONE  
 35750-0310:POST-TIN PLATING  
 35723-0104:TIN LEAD PLATING
3. RECOMMENDED LENGTH OF WIRE STRIP IS 2.9-3.6

|                  |                      |                  |                   |         |          |          |                 |      |                          |          |                    |            |                            |               |          |
|------------------|----------------------|------------------|-------------------|---------|----------|----------|-----------------|------|--------------------------|----------|--------------------|------------|----------------------------|---------------|----------|
| LTR              |                      | REVISION RECORD  | ECN               | DR/CHK  | DATE     | DIE FEED | APPL FEED       | WBDW | IBDW                     | APP'D BY | SCALE              | CAD (10:1) | ENG.NO.                    | SD 35750-03-0 | REV<br>C |
| C                | REVISED              |                  | YANG              | 92.4.30 | ---      | ---      | ---             | ---  | ---                      | ---      | ---                | ---        | ---                        | ---           | ---      |
| B                | REVISED              |                  | YANG              | 91.12.3 | ---      | ---      | ---             | ---  | ---                      | ---      | ---                | ---        | ---                        | ---           | ---      |
| A                | CAD DRAWING RELEASED |                  | YANG              | 91.11.1 | ---      | ---      | ---             | ---  | ---                      | ---      | ---                | ---        | ---                        | ---           | ---      |
| ASS'Y PART       |                      | QTY/REEL OR PACK | SURFACE AREA      |         | MATERIAL |          | SEE NOTE        |      | WIRE RANGE               |          | GENERAL TOLERANCES |            | MOLEX MOLEX-KOREA CO.,LTD. |               |          |
| DESCRIPTION      |                      | ENG.NO.          | 30,000 Q'TY /REEL |         | ---      |          | MM <sup>2</sup> |      | DIMENSION CLASSIFICATION |          | AWG: #28-#24       |            | DIM. ±0.3                  |               | 10F1     |
|                  |                      |                  |                   |         |          |          |                 |      | MM <sup>2</sup> :        |          | ANGLE ±0.2         |            | REVISE ONLY ON CAD SYSTEM  |               |          |
| DIE NO.          |                      | ---              | LAYOUT NO.        |         | ---      |          | ---             |      | INSULATION RANGE         |          | TITLE:             |            | Ø 2.5 RING TERMINAL        |               |          |
| WIRE CRIMP WIDTH |                      | ---              | INS. CRIMP WIDTH  |         | ---      |          | ---             |      | DRAWN BY                 |          | CHK'D BY           |            |                            |               |          |
|                  |                      |                  |                   |         |          |          |                 |      | W.Y.YANG                 |          | B.K.CHOI           |            |                            |               |          |
| WBDW             |                      | ---              | IBDW              |         | ---      |          | ---             |      | APP'D BY                 |          | SCALE              |            |                            |               |          |
|                  |                      |                  |                   |         |          |          |                 |      |                          |          | CAD (10:1)         |            |                            |               |          |