

PLEASE CHECK WWW.MOLEX.COM FOR LATEST PART INFORMATION

Part Number: **0307005240**
Status: **Active**
Overview: hdac 64 dualrow high density automotive connectors
Description: 2.54mm (.100"), 3.50mm (.138") Pitch, H-DAC 64™ Hybrid Header, Dual Row, Vertical, Polarization Option A, Gray, 24 Circuits

Documents:

[Drawing \(PDF\)](#) [Product Specification PS-30700-024 \(PDF\)](#)
[Application Specification \(PDF\)](#) [RoHS Certificate of Compliance \(PDF\)](#)

General

Product Family	PCB Headers
Series	30700
Application	Board-to-Board
Comments	Polarization Option A
Overview	hdac 64 dualrow high density automotive connectors
Product Name	H-DAC 64™

Physical

Breakaway	No
Circuits (Loaded)	24
Circuits (maximum)	24
Color - Resin	Gray
Durability (mating cycles max)	10
First Mate / Last Break	No
Glow-Wire Compliant	No
Guide to Mating Part	No
Keying to Mating Part	None
Lock to Mating Part	Yes
Material - Metal	Copper
Material - Plating Mating	Tin
Material - Plating Termination	Nickel
Material - Resin	Modified Polystyrene
Number of Rows	2
Orientation	Vertical
PC Tail Length (in)	0.145 In
PC Tail Length (mm)	3.69 mm
PCB Locator	Yes
PCB Retention	Yes
PCB Thickness Recommended (in)	0.061 In
PCB Thickness Recommended (mm)	1.57 mm
Packaging Type	Tray
Pitch - Mating Interface (in)	0.100 In
Pitch - Mating Interface (mm)	2.54 mm
Polarized to Mating Part	Yes
Polarized to PCB	Yes
Shrouded	Fully
Stackable	No
Surface Mount Compatible (SMC)	No
Temperature Range - Operating	-40°C to +105°C
Termination Interface: Style	Through Hole

Electrical

Current - Maximum per Contact	7A
Voltage - Maximum	500V

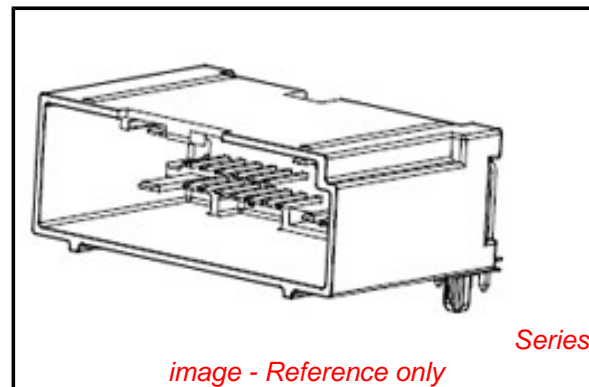


image - Reference only

EU RoHS

**ELV and RoHS
Compliant**
**REACH SVHC
Contains SVHC: No**
**Halogen-Free
Status**

China RoHS



**Need more information on product
environmental compliance?**

Email productcompliance@molex.com
 For a multiple part number RoHS Certificate of Compliance, [click here](#)

Please visit the [Contact Us](#) section for any non-product compliance questions.

Search Parts in this Series

30700Series

Mates With

307001 H-DAC 64™ High Density Crimp Housing

Solder Process Data

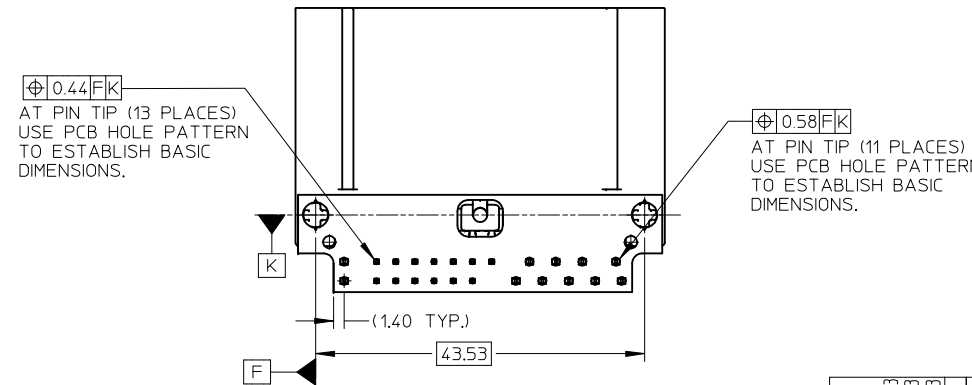
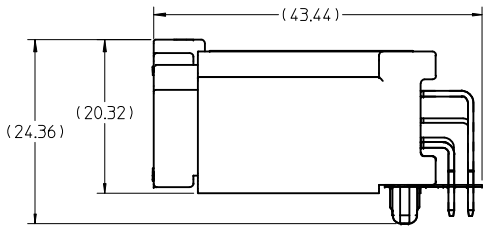
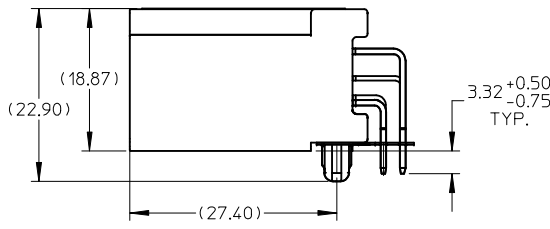
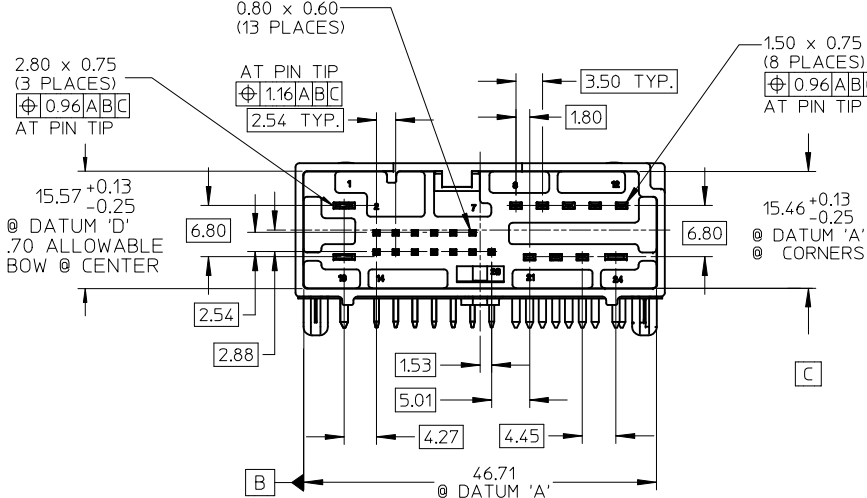
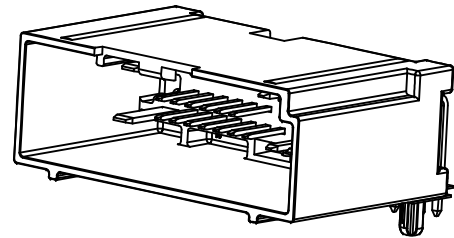
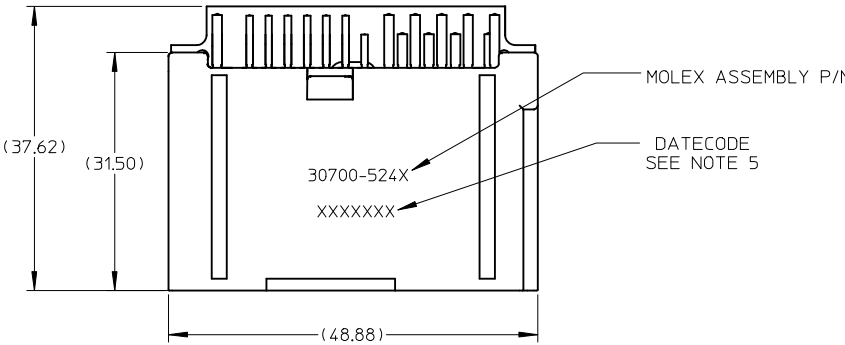
Duration at Max. Process Temperature (seconds)	40
Lead-free Process Capability	SMC & Wave Capable (TH only)
Max. Cycles at Max. Process Temperature	3
Process Temperature max. C	260

Material Info**Reference - Drawing Numbers**

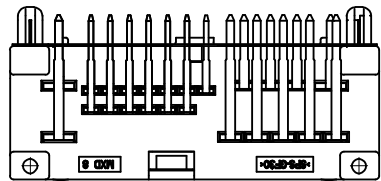
Packaging Specification	PK-30907-261
Product Specification	PS-30700-024
Sales Drawing	SD-30700-524

This document was generated on 05/24/2010

PLEASE CHECK WWW.MOLEX.COM FOR LATEST PART INFORMATION



$\phi 0.58$ FFK
AT PIN TIP (11 PLACES)
USE PCB HOLE PATTERN
TO ESTABLISH BASIC
DIMENSIONS.

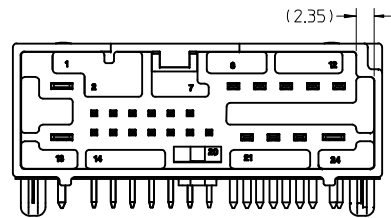
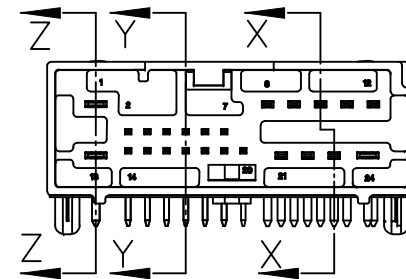


NOTES:

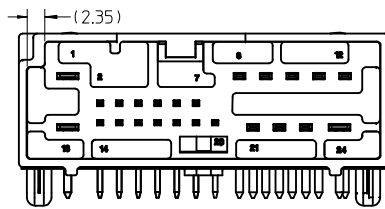
- MATERIAL: HOUSING: SPS GLASS FILLED, COLOR: SEE CHART.
TERMINAL: COPPER ALLOY C26000.
PIN ALIGNMENT PLATE: MYLAR, COLOR: NATURAL (WHITE).
- FINISHES: TERMINAL: TIN (Sn) OVERALL,
NICKEL (Ni) UNDERPLATE OVERALL.
- PACKAGING SPECIFICATION : TRAY: PK-30907-261, TUBE: PK-30907-226.
- MATES WITH: SERIES 30700, SEE SALES DRAWING SD-30700-124.
- DATECODE DESCRIPTION:
- 1ST DIGIT: MACHINE ID# (ALWAYS WILL BE '2')
- 2ND THROUGH 4TH DIGIT: DAY# OF THE CALENDAR YEAR
(EXAMPLE: FEB. 3RD = '034')
- 5TH DIGIT: LAST DIGIT OF THE CALENDAR YEAR
(EXAMPLE: 1999 = '9')
- 6TH THROUGH 7TH DIGIT: HOUR OF THE DAY.
- RECOMMENDED OPTIONAL SCREW: M2 x 0.89, 6mm IN LENGTH, PAN
COLLAR HEAD, 6 LOBE.
TORQUE: 7 NEWTON CENTIMETERS

ENTER DESCRIPTION EC NO: JAU2009-0777 DRAWN: DUNAJ 2009/06/23 CHKD: COLLON 2009/06/23 APPR: SWARCEAU 2009/06/23 REV: DESCRIPTION	QUALITY SYMBOLS ▽=0 ▽=0	GENERAL TOLERANCES (UNLESS SPECIFIED) mm INCH 4 PLACES ± --- ± --- 3 PLACES ± --- ± --- 2 PLACES ± 0.13 ± --- 1 PLACE ± 0.25 ± --- ANGULAR ± 1°	DIMENSION STYLE MM ONLY DRAWN BY DATE RCARLSON 01/04/03 CHECKED BY DATE CKRISHNA 01/04/24 APPROVED BY DATE LGEIB 01/04/24	SCALE 2:1 DESIGN UNITS METRIC THIRD ANGLE PROJECTION	TITLE 24 CKT HEADER ASSEMBLY RIGHT ANGLE SALES DRAWING	MATERIAL NO. 9999999999 DOCUMENT NO. SD-30700-524	SHEET NO. 1 OF 2
	DRAFT WHERE APPLICABLE MUST REMAIN WITHIN DIMENSIONS		THIS DRAWING CONTAINS INFORMATION THAT IS PROPRIETARY TO MOLEX INCORPORATED AND SHOULD NOT BE USED WITHOUT WRITTEN PERMISSION				

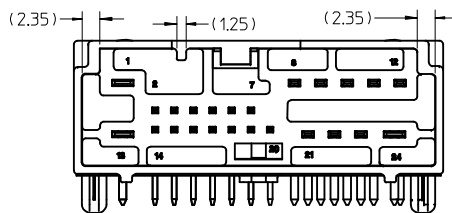
PACKAGING		POLARIZATION OPTIONS & COLOR	
ASSEMBLY P/N TRAY PACKED	ASSEMBLY P/N TUBE PACKED	RIGHT ANGLE HEADER ASSEMBLY (POLARIZATION OPTIONS)	HOUSING COLOR
30700-5240	30700-5244	POLARIZATION OPTION 'A'	GRAY
30700-5241	30700-5245	POLARIZATION OPTION 'B'	BLACK
30700-5242	30700-5246	POLARIZATION OPTION 'C'	NATURAL



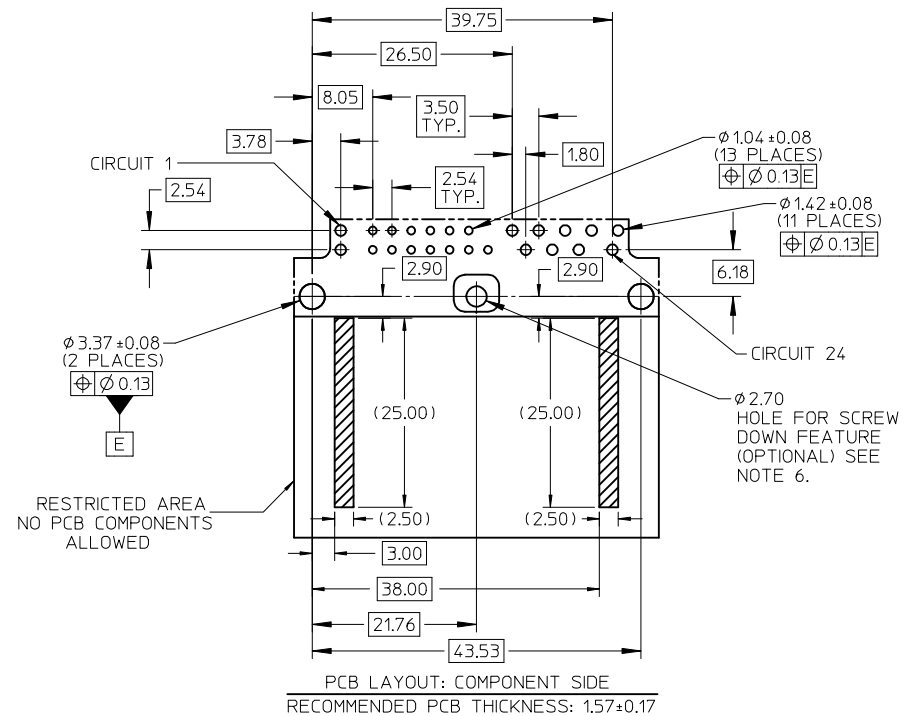
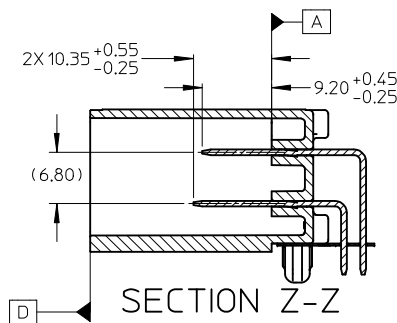
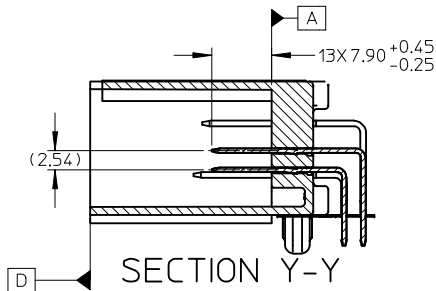
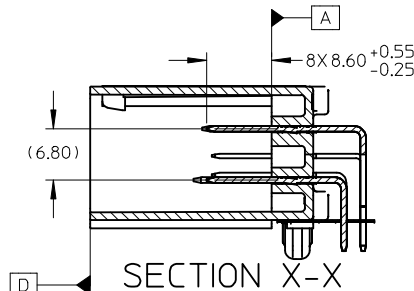
30700-5240/30700-5244
POLARIZATION 'A'



30700-5241/30700-5245
POLARIZATION 'B'



30700-5242/30700-5246
POLARIZATION 'C'



RESTRICTED AREA
NO PCB COMPONENTS
ALLOWED

PCB LAYOUT: COMPONENT SIDE
RECOMMENDED PCB THICKNESS: 1.57±0.17

ENTER DESCRIPTION EC NO: UAU2009-0777 DRWN: IDUNA 2009/06/23 CHKD: OLLON 2009/06/23 APPR: SMARCAU 2009/06/23 REV:	QUALITY SYMBOLS 	GENERAL TOLERANCES (UNLESS SPECIFIED) <table border="1"> <thead> <tr> <th></th> <th>mm</th> <th>INCH</th> </tr> </thead> <tbody> <tr> <td>4 PLACES</td> <td>± ---</td> <td>± ---</td> </tr> <tr> <td>3 PLACES</td> <td>± ---</td> <td>± ---</td> </tr> <tr> <td>2 PLACES</td> <td>± 0.13</td> <td>± ---</td> </tr> <tr> <td>1 PLACE</td> <td>± 0.25</td> <td>± ---</td> </tr> </tbody> </table>		mm	INCH	4 PLACES	± ---	± ---	3 PLACES	± ---	± ---	2 PLACES	± 0.13	± ---	1 PLACE	± 0.25	± ---	DIMENSION STYLE MM ONLY	SCALE 2:1	DESIGN UNITS METRIC	THIRD ANGLE PROJECTION
		mm	INCH																		
	4 PLACES	± ---	± ---																		
	3 PLACES	± ---	± ---																		
2 PLACES	± 0.13	± ---																			
1 PLACE	± 0.25	± ---																			
DESCRIPTION 24 CKT HEADER ASSEMBLY RIGHT ANGLE SALES DRAWING	DRAWN BY: RCARLSON DATE: 01/04/03 CHECKED BY: CKRISHNA DATE: 01/04/24 APPROVED BY: LGEIB DATE: 01/04/24	MATERIAL NO. 9999999999	DOCUMENT NO. SD-30700-524	SHEET NO. 2 OF 2																	
DRAFT WHERE APPLICABLE MUST REMAIN WITHIN DIMENSIONS	SIZE 	THIS DRAWING CONTAINS INFORMATION THAT IS PROPRIETARY TO MOLEX INCORPORATED AND SHOULD NOT BE USED WITHOUT WRITTEN PERMISSION																			
MOLEX INCORPORATED																					