



P113SD Series 1.8 V CMOS Clock Oscillators

July 2007



- Pletronics' P113SD Series is a quartz crystal controlled precision square wave generator with a CMOS output.
- The P113SD series will directly interface TTL devices also.
- Greatly reduces RFI and EMI system sensitivity
- Minimizes RFI radiation, eases meeting FCC Class B emissions standards.
- Capable of driving up to 15pF capacitive loads
- Tube packaging is available.
- 70 to 165 MHz
- Full Size Thru-Hole DIP package
- Enable/Disable Function
- Disable function includes low standby power mode
- 3rd Overtone Crystals used
- Improved circuit to minimize oscillator issues such as multi-mode output signal.
- Low Jitter
- Has internal bypass capacitor on the Vcc lead
- 5x7 mm LCC ceramic oscillator inside

Pletronics Inc. certifies this device is in accordance with the RoHS (2002/95/EC) and WEEE (2002/96/EC) directives.

Pletronics Inc. guarantees the device does not contain the following:
 Cadmium, Hexavalent Chromium, Lead, Mercury, PBB's, PBDE's
 Weight of the Device: 4.0 grams
 Moisture Sensitivity Level: 1 As defined in J-STD-020C
 Second Level Interconnect code: e1 or e2

Absolute Maximum Ratings:

Parameter	Unit
V _{CC} Supply Voltage	-0.5V to +5.0V
V _i Input Voltage	-0.5V to V _{CC} + 0.5V
V _o Output Voltage	-0.5V to V _{CC} + 0.5V

Thermal Characteristics

The maximum die or junction temperature is 155°C
 The thermal resistance junction to board is 120°C/Watt depending on the solder pads, ground plane and construction of the PCB.



P113SD Series 1.8 V CMOS Clock Oscillators

July 2007

Part Number:

P11	45	-3SD	ES	X	-85.0M	-XX	Marking
Internal code or blank							
Output Load Capacitance Blank = 15pF maximum							none
Frequency in MHz							fff.fff M
Supply Voltage V_{CC} X = 1.8V ± 5%							X, C or D
Enhanced Specifications (apply in the order shown) E = Temperature range -40 to 85°C S = Symmetry 45%/55% at 50% of V _{CC}							E S
Series Model							
Frequency Stability 45 = ± 50 ppm 44 = ± 25 ppm 20 = ± 20 ppm							5 4 2
Series Model							P3S

Part Marking:

PLE
P3Sxsss
fff.fff M
yywwaLF

Where:

- x = Frequency stability
- sss = Enhanced specification and voltage
- fff.fff = frequency in MHz
- yywwa = Date code
- LF = Lead Free

Pletronics may ship the following combinations without notice (this is an enhanced specified device)

- 44 (25 ppm) stability parts when 45 (50 ppm) was ordered
- 20 (20 ppm) stability parts when 45 (50 ppm) or 44 (25 ppm) was ordered.
- E temperature range parts when extended was not ordered.
- S symmetry parts when 40/60% symmetry was ordered.

Pletronics may ship parts that are not marked for extended temperature range but were tested for extended temperature range, a Certificate of Conformance will accompany these parts.

Electrical Specification for 2.50V $\pm 10\%$ over the specified temperature range

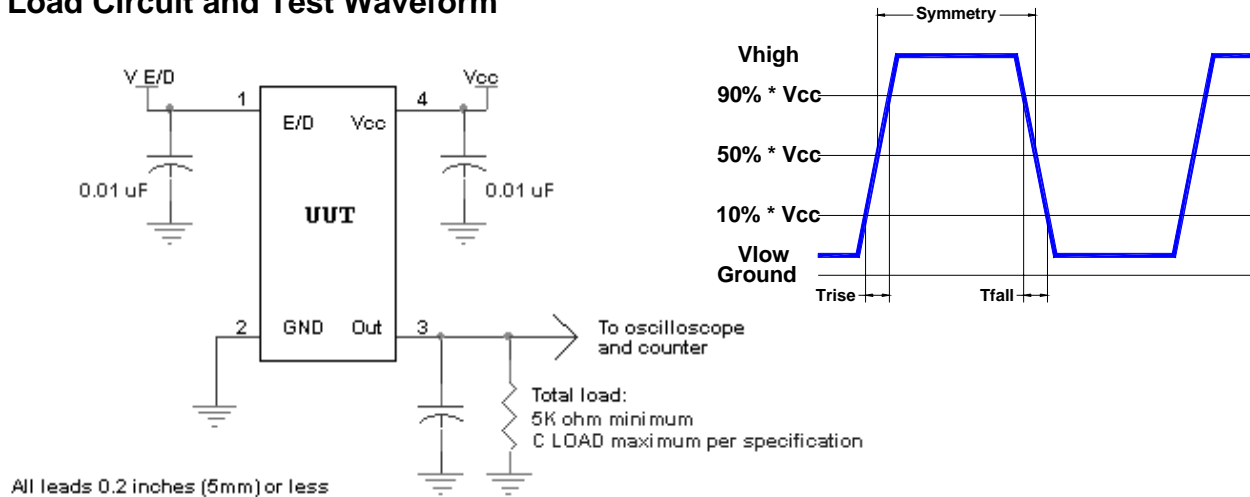
Item	Min	Max	Unit	Condition
Frequency Range	70	165	MHz	
Frequency Accuracy "45"	-50	+50	ppm	For all supply voltages, load changes, aging for 1 year, shock, vibration and temperatures
"44"	-25	+25		
"20"	-20	+20		
Output Waveform	CMOS			
Output High Level	0.4	-	V	Below V_{CC} (See load circuit)
Output Low Level	-	0.4	V	(See load circuit)
Output Symmetry	40	60	%	at 50% point of V_{CC} (See load circuit) Standard for "S" option parts
	45	55	%	
Jitter	-	0.6	pS RMS	12 KHz to 20 MHz from the output frequency
	-	2.5	pS RMS	10 Hz to 1 MHz from the output frequency
Enable/Disable Internal Pull-up	30	-	Kohm	to V_{CC}
V disable	-	30	%	of V_{CC} applied to pad 1
V enable	70	-	%	of V_{CC} applied to pad 1
Output leakage $V_{OUT} = V_{CC}$	-10	+10	uA	Pad 1 low, device disabled
	$V_{OUT} = 0V$	-10		
Standby Current I_{CC}	-	10	uA	Pad 1 low, device disabled
Enable time	-	2	mS	Time for output to resume operation
Disable time	-	200	nS	Time for output to reach a high Z state
Start up time	-	5	mS	Time for output to reach specified frequency
Operating Temperature Range	0	+70	°C	Standard Temperature Range
	- 40	+85	°C	Extended Temperature Range "E" Option
Storage Temperature Range	- 55	+125	°C	

Electrical Specification for 2.50V $\pm 10\%$ over the specified temperature range

Item	Min	Typ	Max	Unit	Condition	
V_{OUT} High (V_{OH})	0.4	0.3	-	V	Below V_{CC} , $I_{OH} = +8$ mA	
V_{OUT} Low (V_{OL})	-	0.3	0.4	V	$I_{OL} = -8$ mA	
Output T_{RISE} and T_{FALL}	-	1.5	2.5	nS	$C_{LOAD} = 15$ pF 20% to 80% of V_{CC} (See load circuit)	
V_{CC} Supply Current (I_{CC})	-	21	33	mA	>125 MHz	$C_{LOAD} = 15$ pF 20% to 80% of V_{CC} (See load circuit)
	-	17	27	mA	>95 MHz and ≤ 125 MHz	
	-	11	19	mA	≤ 95 MHz	

Specifications with Pad 1 E/D open circuit

Load Circuit and Test Waveform



Reliability: Environmental Compliance

Parameter	Condition
Mechanical Shock	MIL-STD-883 Method 2002, Condition A
Vibration	MIL-STD-883 Method 2007, Condition A
Solderability	MIL-STD-883 Method 2003
Thermal Shock	MIL-STD-883 Method 1011, Condition A


ESD Rating

Model	Minimum Voltage	Conditions
Human Body Model	1500	MIL-STD-883 Method 3115
Charged Device Model	1000	JESD 22-C101

Package Labeling

Label is 1" x 2.6" (25.4mm x 66.7mm)
Font is Courier New
Bar code is 39-Full ASCII

Label is 1" x 2.6" (25.4mm x 66.7mm)
Font is Arial

P/N:  
F1145-3SDX-100.0M
Customer P/N:  12345678
Qty:  1000 D/C:  0502A6

<p>Pb Free</p> <p>2nd LvL Interconnect Category=e1</p> <p>Max Safe Temp=280C for 15s (Wave solder only) Max Safe Temp=245C for 10s (Reflow only)</p>

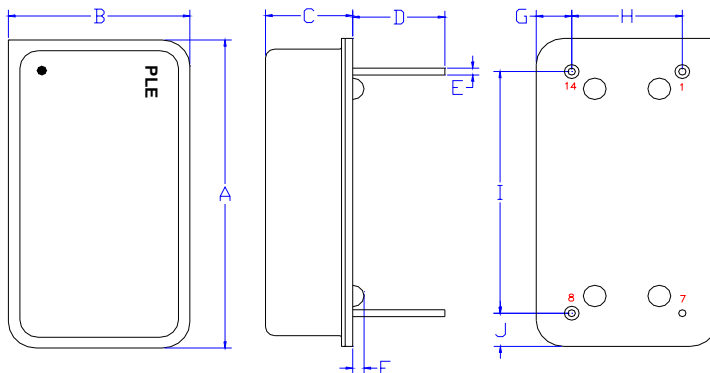
<p>Pb Free</p> <p>2nd LvL Interconnect Category=e2</p> <p>Max Safe Temp=280C for 15s (Wave solder only) Max Safe Temp=245C for 10s (Reflow only)</p>

PCB Mounting (typical for lead free processing)

Hand soldering is recommended.

Wave solder at 255°C to 280°C with maximum wave exposure of 15 seconds
Reflow solder maximum exposure of 245°C for 15 seconds
Soldering done in a nitrogen atmosphere enhances the solder joint quality.

Mechanical:



Cover:

Kovar
Electroless Nickel Plated
1 μinch (25 μm) typical
Resistance welded to base

Base:

Kovar
Glass to metal sealed leads

Label:

White Kapton with Black Letters
-or-
Blue Epoxy heat cure ink with laser
marked lettering

Pin 7 Connected to case

Not to scale

	Inches	mm
A	0.787 ±0.005	20.00 ±0.13
B	0.487 ±0.005	12.37 ±0.13
C	0.225 ±0.011	5.72 ±0.28
D ¹	0.250	6.35
E ¹	0.020	0.51
F ¹	0.031	0.79
G ¹	0.094	2.37
H ¹	0.300	7.62
I ¹	0.600	15.24
J ¹	0.094	2.37

¹ Nominal dimension

Pad	Function	Note
1	Output Enable/Disable	When this pad is not connected the oscillator shall operate. When this pad is logic low the output will be inhibited (high impedance state.) Recommend connecting this pad to V _{CC} if the oscillator is to be always on.
7	Ground (GND)	
8	Output	
14	Supply Voltage (V _{CC})	Recommend connecting appropriate power supply bypass capacitors as close as possible.



Layout and application information

For Optimum Jitter Performance, Pletronics recommends:

- a ground plane under the device
- no large transient signals (both current and voltage) should be routed under the device
- do not layout near a large magnetic field such as a high frequency switching power supply
- do not place near piezoelectric buzzers or mechanical fans.

IMPORTANT NOTICE

Pletronics Incorporated (PLE) reserves the right to make corrections, improvements, modifications and other changes to this product at anytime. PLE reserves the right to discontinue any product or service without notice. Customers are responsible for obtaining the latest relevant information before placing orders and should verify that such information is current and complete. All products are sold subject to PLE's terms and conditions of sale supplied at the time of order acknowledgment.

PLE warrants performance of this product to the specifications applicable at the time of sale in accordance with PLE's standard warranty. Testing and other quality control techniques are used to the extent PLE deems necessary to support this warranty. Except where mandated by specific contractual documents, testing of all parameters of each product is not necessarily performed.

PLE assumes no liability for application assistance or customer product design. Customers are responsible for their products and applications using PLE components. To minimize the risks associated with the customer products and applications, customers should provide adequate design and operating safeguards.

PLE does not warrant or represent that any license, either express or implied, is granted under any PLE patent right, copyright, artwork or other intellectual property right relating to any combination, machine or process which PLE product or services are used. Information published by PLE regarding third-party products or services does not constitute a license from PLE to use such products or services or a warranty or endorsement thereof. Use of such information may require a license from a third party under the patents or other intellectual property of the third party, or a license from PLE under the patents or other intellectual property of PLE.

Reproduction of information in PLE data sheets or web site is permissible only if the reproduction is without alteration and is accompanied by associated warranties, conditions, limitations and notices. Reproduction of this information with alteration is an unfair and deceptive business practice. PLE is not responsible or liable for such altered documents.

Resale of PLE products or services with statements different from or beyond the parameters stated by PLE for that product or service voids all express and implied warranties for the associated PLE product or service and is an unfair or deceptive business practice. PLE is not responsible for any such statements.

Contacting Pletronics Inc.

Pletronics Inc.
19013 36th Ave. W, Suite H
Lynnwood, Washington 98036-5761 USA
Tel: 425-776-1880
Fax: 425-776-2760
E-mail: ple-sales@pletronics.com
URL: www.pletronics.com

Copyright © 2005, 2006, 2007, Pletronics Inc.