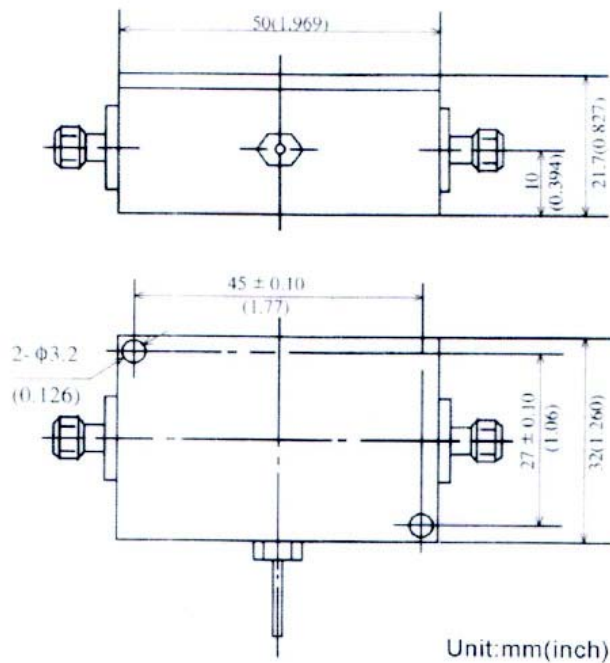


## Low Noise Amplifier

P/N: JXWBLA-T-880-960-15

Frequency Range(MHz)	880~960
Gain(dB)	15 min
Noise Figure(dB)	1.2 max
Pout @1dB(dBm)	3~5
IP3(dBm)	30
VSWR Input/Output	1.8:1/ 1.8:1
Power Supply(V)	+12
Connectors	N-Female
Size(mm)	50x32x22
Net Weight(Kg)	0.11 Around

### Outline Drawing



For current data sheets, please contact: [sales@aacix.com](mailto:sales@aacix.com)