

## SMD INDUCTOR DR337-2 SERIES

### Features

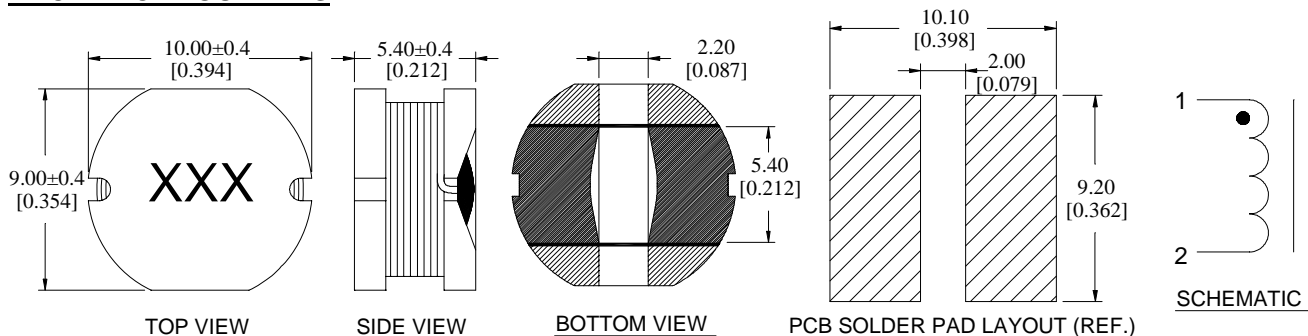
- Low Profile Surface Mount Design
- Inductance Range from 8.2 $\mu$ H to 820 $\mu$ H
- Operating Temp. -20°C to +80°C
- Tinned Leads with Leaded Solder is Available (note 4)



### ELECTRICAL SPECIFICATIONS AT 25°C

PART No.	INDUCTANCE ( $\mu$ H)		DCR ( $\Omega$ ) Max.	RATED CURRENT (A) Max.
DR337-2-822	8.2 $\pm$ 20%	@ 7.96MHz, 0.1V	0.05	2.70
DR337-2-103	10 $\pm$ 20%	@ 2.52MHz, 0.1V	0.06	2.60
DR337-2-123	12 $\pm$ 20%	@ 2.52MHz, 0.1V	0.07	2.45
DR337-2-153	15 $\pm$ 20%	@ 2.52MHz, 0.1V	0.08	2.27
DR337-2-183	18 $\pm$ 20%	@ 2.52MHz, 0.1V	0.09	2.15
DR337-2-223	22 $\pm$ 20%	@ 2.52MHz, 0.1V	0.10	1.95
DR337-2-253	25 $\pm$ 20%	@ 2.52MHz, 0.1V	0.10	1.85
DR337-2-273	27 $\pm$ 20%	@ 2.52MHz, 0.1V	0.11	1.76
DR337-2-333	33 $\pm$ 20%	@ 2.52MHz, 0.1V	0.13	1.56
DR337-2-393	39 $\pm$ 20%	@ 2.52MHz, 0.1V	0.14	1.37
DR337-2-473	47 $\pm$ 10%	@ 2.52MHz, 0.1V	0.17	1.28
DR337-2-563	56 $\pm$ 10%	@ 2.52MHz, 0.1V	0.19	1.17
DR337-2-683	68 $\pm$ 10%	@ 2.52MHz, 0.1V	0.22	1.11
DR337-2-823	82 $\pm$ 10%	@ 2.52MHz, 0.1V	0.25	1.00
DR337-2-104	100 $\pm$ 10%	@ 1kHz, 0.1V	0.35	0.97
DR337-2-124	120 $\pm$ 10%	@ 1kHz, 0.1V	0.41	0.89
DR337-2-154	150 $\pm$ 10%	@ 1kHz, 0.1V	0.47	0.78
DR337-2-184	180 $\pm$ 10%	@ 1kHz, 0.1V	0.63	0.72
DR337-2-224	220 $\pm$ 10%	@ 1kHz, 0.1V	0.73	0.66
DR337-2-274	270 $\pm$ 10%	@ 1kHz, 0.1V	0.97	0.57
DR337-2-334	330 $\pm$ 10%	@ 1kHz, 0.1V	1.15	0.52
DR337-2-394	390 $\pm$ 10%	@ 1kHz, 0.1V	1.30	0.48
DR337-2-474	470 $\pm$ 10%	@ 1kHz, 0.1V	1.48	0.42
DR337-2-564	560 $\pm$ 10%	@ 1kHz, 0.1V	1.90	0.33
DR337-2-684	680 $\pm$ 10%	@ 1kHz, 0.1V	2.25	0.28
DR337-2-824	820 $\pm$ 10%	@ 1kHz, 0.1V	2.55	0.24

### MECHANICAL OUTLINES



#### NOTES:

1. All dimensions are shown in millimeters "mm" [inches "in"].
2. General tolerance  $\pm$ 0.25mm [0.010 in.], unless otherwise specified.
3. Tape and reel quantity, 750 pcs/reel.
4. For non-RoHS parts replace DR prefix with 42- (e.g. DR337-2 becomes 42-337-2).
5. Terminal finish is compliant to RoHS requirements. Solder in accordance with J-STD-020C.