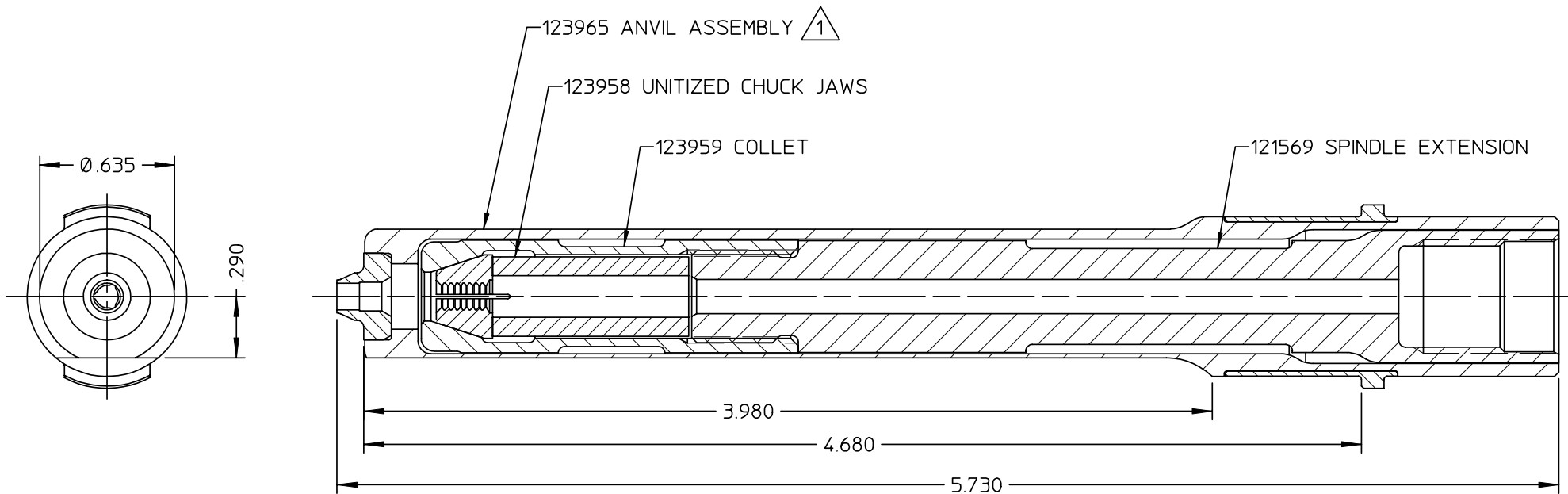


DATA SHEET



SECTION A-A

Alcoa Fastening Systems

Commercial Products
1 Corporate Drive, Kingston, NY 12401

99-2702

Part Number

TYPE:	NON-SELF-RELEASING
FASTENER:	-05 BB
TOOL(S):	202, 212, 230, 352, 2400
Notes:	Product Revision: A
US Patent:	Date: 07/07/03

NOTES:

- ① ANVIL ASSEMBLY P/N 123965 CONSISTS OF:
ANVIL HOLDER ASSEMBLY 123964 AND
ANVIL INSERT 119375
- ② ANVIL HOLDER ASSEMBLY 123964 CONSISTS OF:
ANVIL HOLDER 123963, (NOT AVAILABLE SEPARATELY) AND
RETAINER 120738