

PLEASE CHECK WWW.MOLEX.COM FOR LATEST PART INFORMATION

Part Number: [0795161021](#)
Status: **Active**
Overview: [microfit_30](#)
Description: Micro-Fit Overmolded Cable Assembly, 2 Circuit, 1.0m (3.28') Length

Documents:

[Drawing \(PDF\)](#) [RoHS Certificate of Compliance \(PDF\)](#)

General

Product Family	Cable Assemblies
Series	79516
Connector to Connector	Micro-Fit-to-Micro-Fit
Overview	microfit_30
Product Name	Micro-Fit 3.0™

Physical

Cable Length	1.0m (3.28')
Circuits (Loaded)	2
Color - Resin	Black
Gender	Female-Female
Lock to Mating Part	Yes
Material - Metal	Phosphor Bronze
Material - Plating Mating	Tin
Material - Plating Termination	Tin
Material - Resin	Polyester, PVC
Packaging Type	Bag
Pitch - Mating Interface (in)	0.118 In
Pitch - Mating Interface (mm)	3.00 mm
Plating min: Mating (µin)	40
Plating min: Mating (µm)	1.00
Plating min: Termination (µin)	40
Plating min: Termination (µm)	1.00
Single Ended	No
Wire Insulation Diameter	N/A
Wire Size AWG	26
Wire/Cable Type	Jacketed

Electrical

Current - Maximum per Contact	5A
Shielded	No
Voltage - Maximum	250V

Material Info

Reference - Drawing Numbers

Sales Drawing	SD-79516-001
---------------	--------------

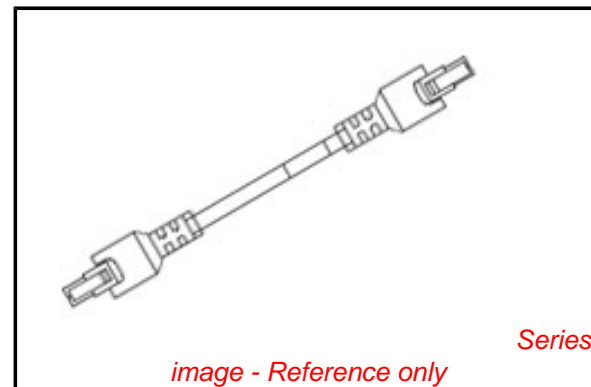


image - Reference only

EU RoHS

**ELV and RoHS
Compliant**
REACH SVHC
 Not Reviewed
**Halogen-Free
Status**
Not Reviewed

China RoHS



**Need more information on product
environmental compliance?**

Email productcompliance@molex.com
 For a multiple part number RoHS Certificate of
 Compliance, [click here](#)

Please visit the [Contact Us](#) section for any
 non-product compliance questions.

Search Parts in this Series

[79516Series](#)

6

5

4

3

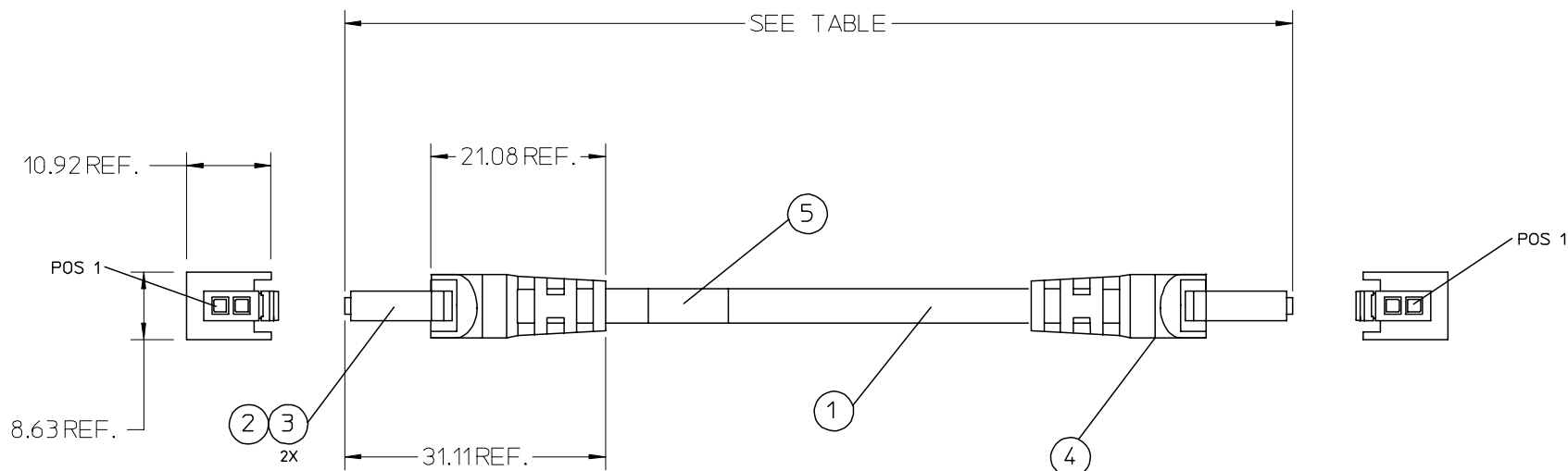
2

1

P/N	LENGTH
79516-1021	1000 +/-50MM
79516-1023	3000 +/-100MM
79516-1025	5000 +/-150MM

EXT. "A"

EXT. "B"



NOTES:

- PIN CONNECTION ACCORDING TO TABLE.
- LABEL CABLE WITH FOLLOWING INFORMATION:
P/N (SEE TABLE)
REV. (SEE REVISION TABLE)
M/D WW/YY
ASSEMBLED IN MEXICO

WIRING CHART

EXT. "A"		EXT. "B"
POS.	COLOR	POS.
1	BLACK	1
2	WHITE	2

ITEM	P/N	DESCRIPTION	QTY
5	0799212000	PLASTIC LABEL 0-TW10F	1 PC
4	0899920428	PVC 15% MF BLACK UL94V-2	A/R
3	0430300004	MicroFit 3.0 F Crp Term Chn Tin 26-30	4 PC
2	0430250200	MicroFit 3.0 DR Rcpt PnlMnt 2Ckt	2 PC
1	0799232214	CABLE 2 COND, 26AWG, JACKETED	A/R

REVISION	DESCRIPTION	QUALITY SYMBOLS	GENERAL TOLERANCES (UNLESS SPECIFIED)		DIMENSION STYLE		SCALE	DESIGN UNITS	THIRD ANGLE PROJECTION
			mm	INCH	MM ONLY	MM ONLY			
4	PLACES	± ---	± ---	DRAWN BY AOROZCO DATE 10/10/2003	CHECKED BY AOROZCO DATE 10/10/2003	APPROVED BY ACUEVAS DATE 10/10/2003	TITLE MICRO-FIT OVERMOLDED ASSEMBLY 2 CKT 1, 3 & 5 MTS.	MATERIAL NO. VARIOS	SHEET NO. 1 OF 1
3	PLACES	± ---	± ---						
2	PLACES	± ---	± ---						
1	PLACE	± ---	± ---						
			ANGULAR ± ---°		MATERIAL NO. VARIOS		DOCUMENT NO. SD-79516-001		SHEET NO. 1 OF 1
			DRAFT WHERE APPLICABLE MUST REMAIN WITHIN DIMENSIONS		SIZE A		THIS DRAWING CONTAINS INFORMATION THAT IS PROPRIETARY TO MOLEX INCORPORATED AND SHOULD NOT BE USED WITHOUT WRITTEN PERMISSION		

5

4

3

2

1