



# SAW Components

Data Sheet N9350D





**SAW Components**

**N9350D**

**IF Filter for Audio Applications**

**58,75 MHz**

**Data Sheet**

**Standard**

duroplast package **SIP5D**

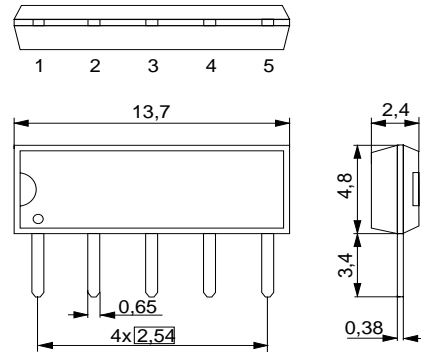
- M

**Features**

- TV IF audio filter with pass band for sound carrier at 54,25 MHz

**Terminals**

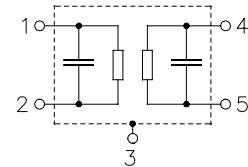
- Tinned CuFe alloy



Dimensions in mm, approx. weight 0,5 g

**Pin configuration**

- 1 Input
- 2 Input - ground
- 3 Chip carrier - ground
- 4 Output
- 5 Output



Type	Ordering code	Marking and package according to	Packing according to
N 9350 D		C61157-A1-A21	F61074-V8049-Z000

**Maximum ratings**

Operable temperature range	$T_A$	- 25/+ 65	°C	
Storage temperature range	$T_{stg}$	- 40/+ 85	°C	
DC voltage	$V_{DC}$	5	V	between any terminals
AC voltage	$V_{pp}$	10	V	between any terminals



**SAW Components**

**N9350D**

**IF Filter for Audio Applications**

**58,75 MHz**

**Data Sheet**

**Characteristics**

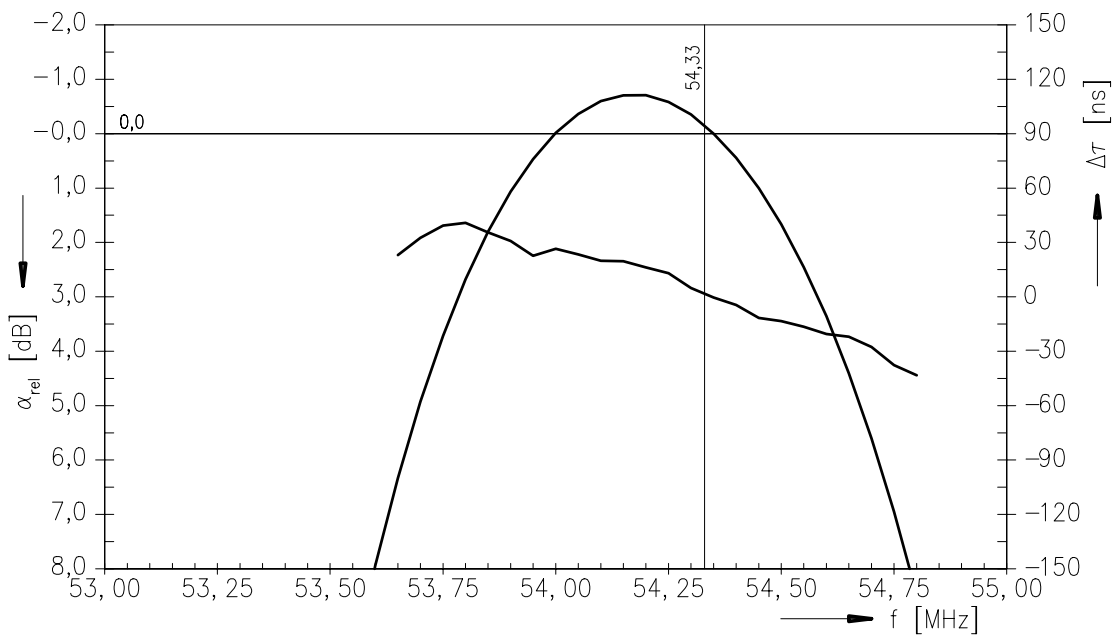
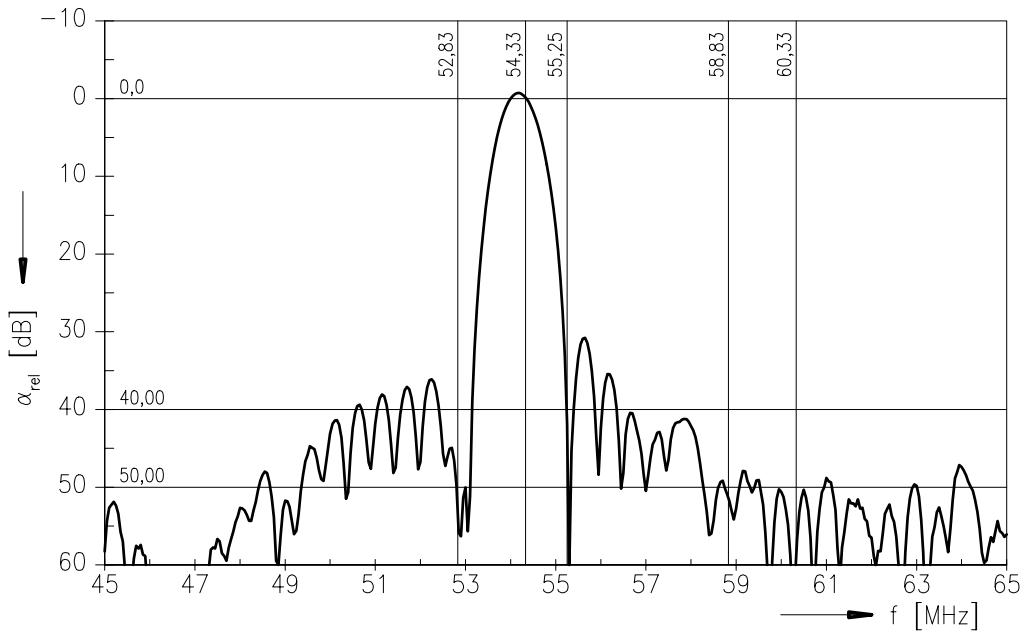
Reference temperature:  $T_A = 25 (45) \text{ }^\circ\text{C}$   
 Terminating source impedance:  $Z_S = 50 \text{ } \Omega$   
 Terminating load impedance:  $Z_L = 2 \text{ k}\Omega \parallel 3 \text{ pF}$

		<b>min.</b>	<b>typ.</b>	<b>max.</b>	
<b>Insertion attenuation</b>					
	$\alpha$				
Reference level for the following data	54,33 (54,25) MHz	14,8	16,3	17,8	dB
<b>Relative attenuation</b>					
	$\alpha_{rel}$				
Picture carrier	58,83 (58,75) MHz	38,0	47,0	—	dB
Color carrier	55,25 (55,17) MHz	26,0	36,0	—	dB
Adjacent picture carrier	52,83 (52,75) MHz	37,0	44,0	—	dB
Adjacent sound carrier	60,33 (60,25) MHz	42,0	57,0	—	dB
Lower sidelobe					
	45,08 ... 52,83 (45,00 ... 52,75) MHz	30,0	36,0	—	dB
Upper sidelobe					
	60,33 ... 65,08 (60,25 ... 65,00) MHz	40,0	48,0	—	dB
<b>Impedance at 54,33 MHz</b>					
Input:	$Z_{IN} = R_{IN} \parallel C_{IN}$	—	0,9 $\parallel$ 9,6	—	k $\Omega$ $\parallel$ pF
Output:	$Z_{OUT} = R_{OUT} \parallel C_{OUT}$	—	3,0 $\parallel$ 2,3	—	k $\Omega$ $\parallel$ pF
<b>Temperature coefficient of frequency</b>	$TC_f$	—	-72	—	ppm/K



Data Sheet

Frequency response





**SAW Components**

**N9350D**

**IF Filter for Audio Applications**

**58,75 MHz**

**Data Sheet**

**Published by EPCOS AG**

**Surface Acoustic Wave Components Division, SAW CE MM PD**

**P.O. Box 80 17 09, D-81617 München**

© EPCOS AG 2003. All Rights Reserved. Reproduction, publication and dissemination of this brochure and the information contained therein without EPCOS' prior express consent is prohibited.

The information contained in this brochure describes the type of component and shall not be considered as guaranteed characteristics. Purchase orders are subject to the General Conditions for the Supply of Products and Services of the Electrical and Electronics Industry recommended by the ZVEI (German Electrical and Electronic Manufacturers' Association), unless otherwise agreed.

This brochure replaces the previous edition.

For questions on technology, prices and delivery please contact the Sales Offices of EPCOS AG or the international Representatives.

Due to technical requirements components may contain dangerous substances. For information on the type in question please also contact one of our Sales Offices.