

Voltage-Controlled Attenuator Module 5 to 2000 MHz

Rev. V3

Features

- AVAILABLE IN SURFACE MOUNT
- LOW VSWR: < 1.5:1 (TYP.)
- LOW INSERTION LOSS: 2.3 dB TO 1000 MHz (TYP.)
- LOW DISTORTION: > 75 dB (TYP.) AT $V_{control} = +15V$

Description

The G2 attenuator is a discrete hybrid design, which uses thin film manufacturing processes for accurate performance and high reliability.

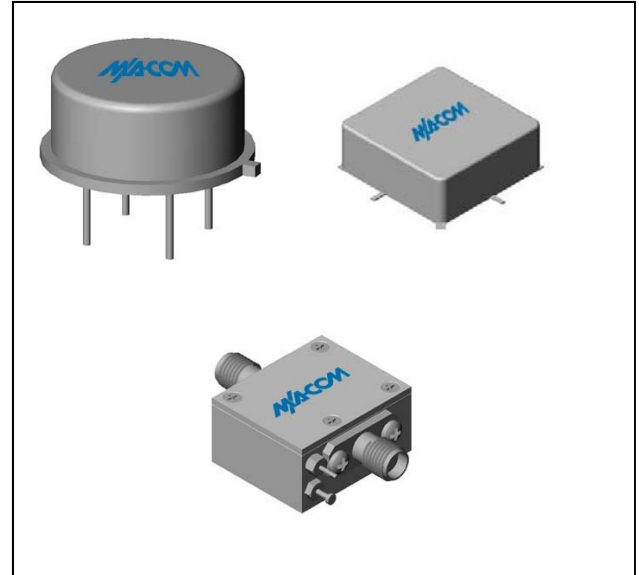
This design uses three pin diodes to provide a non linear attenuation response across a broadband frequency range. Both TO-8 and Surface Mount packages are hermetically sealed, and MIL-STD-883 environmental screening is available.

Ordering Information

Part Number	Package
G2	TO-8
SMG2	Surface Mount
MAAM-007987-000CG2	SMA Connectorized **

** The connectorized version is not RoHs compliant.

Product Image



Electrical Specifications: $Z_0 = 50\Omega$, $V_{CC} = +15 V_{DC}$

Parameter	Units	Typical	Guaranteed	
		25°C	0° to 50°C	-54° to +85°C*
Frequency	MHz	5-2200	5-2000	5-2000
Maximum Attenuation Available (min)	5-500 MHz	34	31	30
	500-1000 MHz	28	25	24
	1000-2000 MHz	22	20	18
Insertion Loss ($V_{ctrl} = +15 V$) (max)	5-1000 MHz	2.3	3.0	3.5
	1000-2000 MHz	2.8	3.5	4.0
VSWR (worst case in attenuation range)				
5-2000 MHz	dB	<1.5:1	2.2:1	2.3:1
Flatness Over Frequency (max) (Attenuation = min to 15 dB, 5-2000 MHz)				
	dB	±0.4	±0.8	±1.0
Switching Speed (max.)	10% - 90%	25	50	60
	0% - 100%	70	125	140
Bias Voltage	Volts	+5	+5	+5
Bias Current (max)	mA	5	6.5	7
Control Voltage	Volts	0 to +15	0 to +15	0 to +15
Control Current (max)	mA	4	6	7

*Over temperature performance limits for part number CG2, guaranteed from 0°C to +50°C only.

1

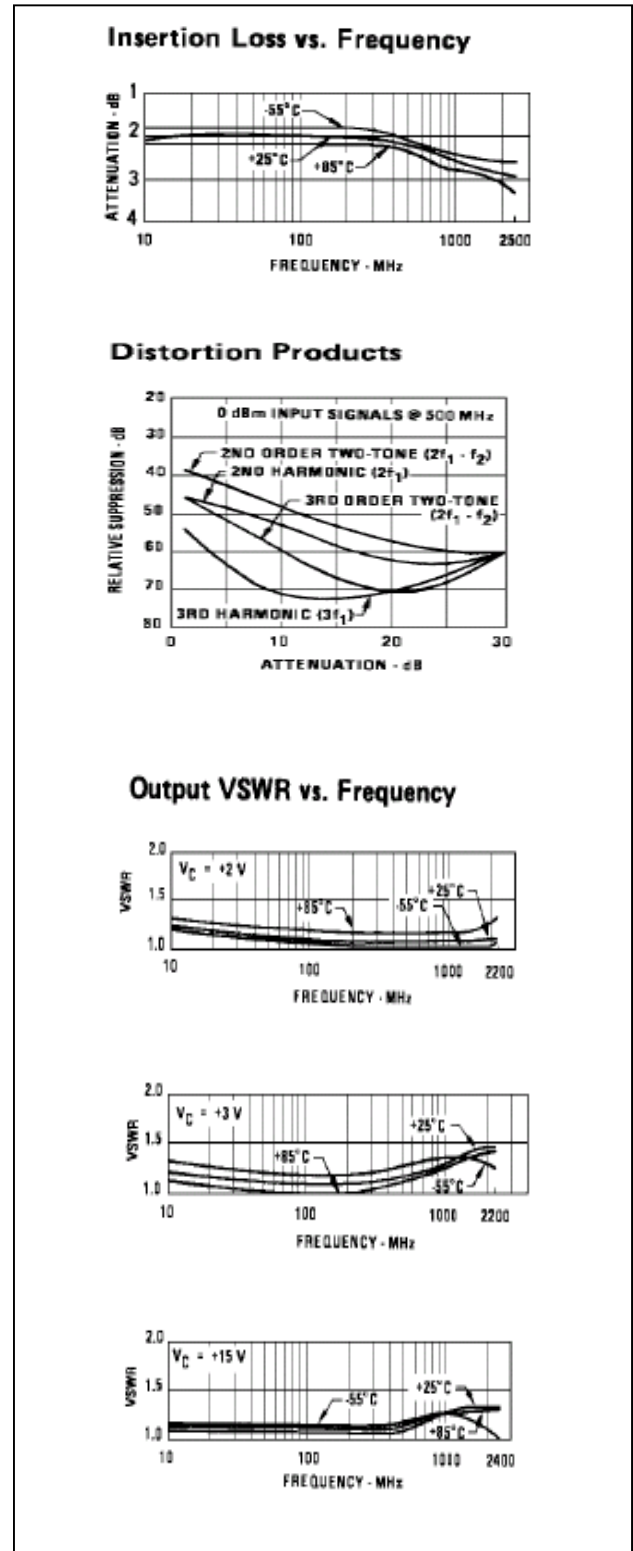
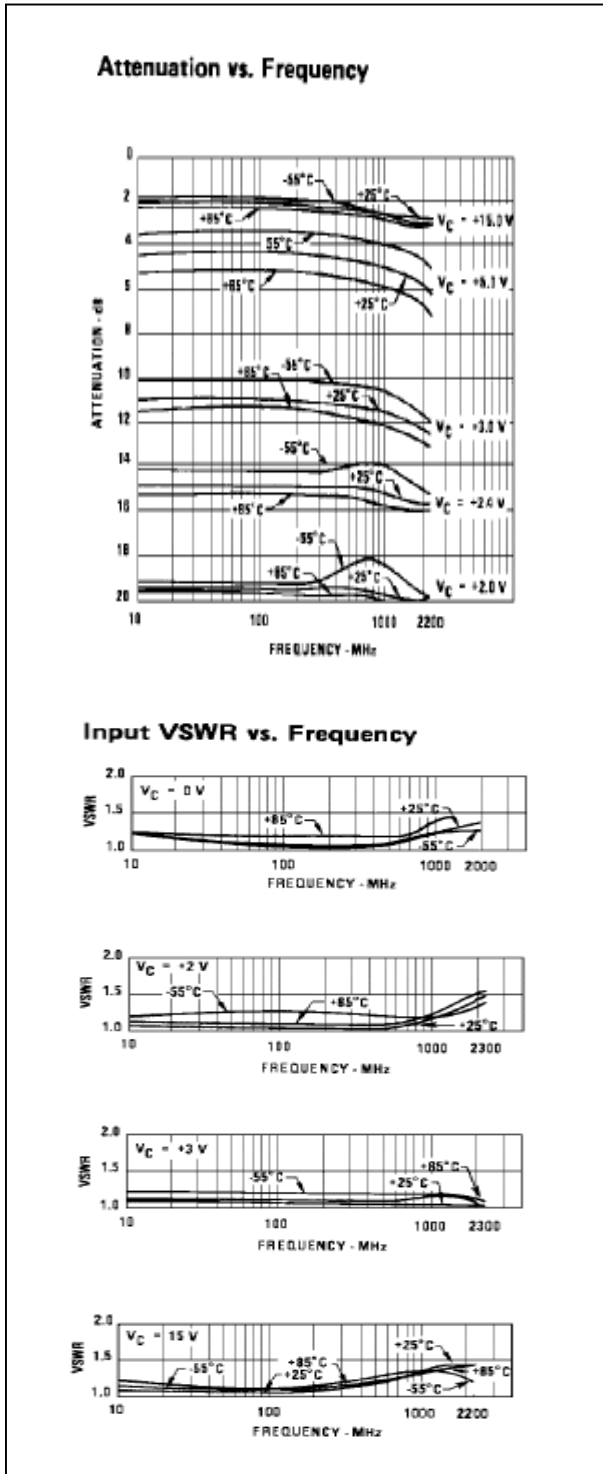
ADVANCED: Data Sheets contain information regarding a product M/A-COM Technology Solutions is considering for development. Performance is based on target specifications, simulated results, and/or prototype measurements. Commitment to develop is not guaranteed.

PRELIMINARY: Data Sheets contain information regarding a product M/A-COM Technology Solutions has under development. Performance is based on engineering tests. Specifications are typical. Mechanical outline has been fixed. Engineering samples and/or test data may be available. Commitment to produce in volume is not guaranteed.

• **North America** Tel: 800.366.2266 • **Europe** Tel: +353.21.244.6400
 • **India** Tel: +91.80.4155721 • **China** Tel: +86.21.2407.1588
 Visit www.macomtech.com for additional data sheets and product information.

M/A-COM Technology Solutions Inc. and its affiliates reserve the right to make changes to the product(s) or information contained herein without notice.

Typical Performance Curves at +25°C

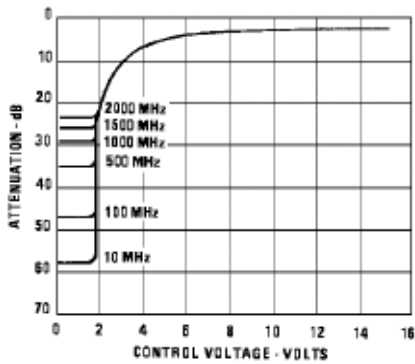


Voltage-Controlled Attenuator Module 5 to 2000 MHz

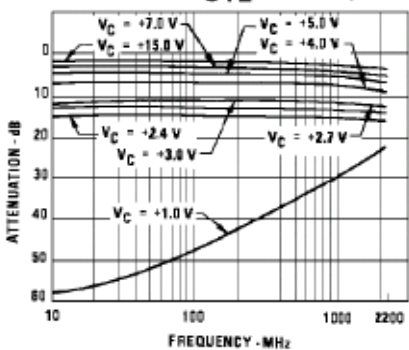
Rev. V3

Typical Performance Curves at +25°C

Attenuation vs. Control Voltage



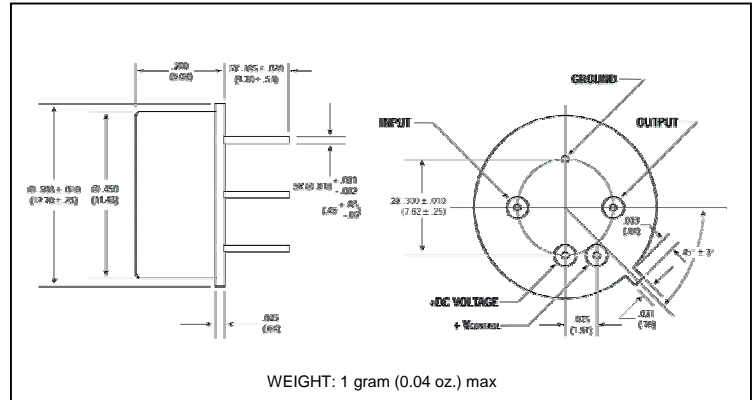
Attenuation vs. V_{CTL} vs. Frequency



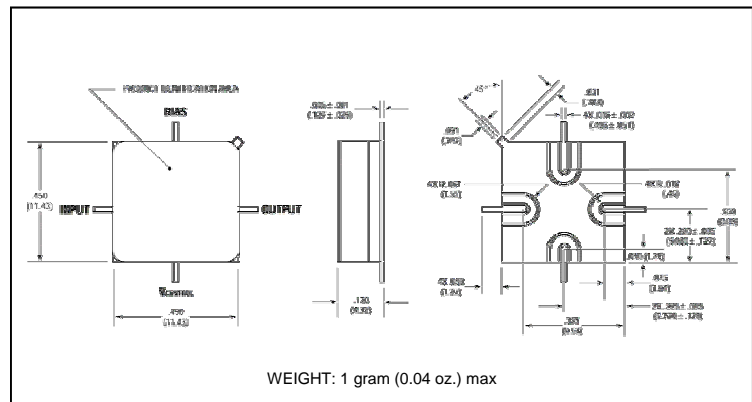
Absolute Maximum Ratings

Parameter	Absolute Maximum
Storage Temperature	-62°C to +125°C
Maximum Case Temperature	125°C
Maximum DC Voltage	+18 V
Maximum DC Bias Voltage	+10 V
Maximum Short Term RF Input power (1 minute max.)	200 mW
Maximum Peak Power (3 µsec max.)	1 W
"S" Series Burn-In Temperature (case)	+125°C

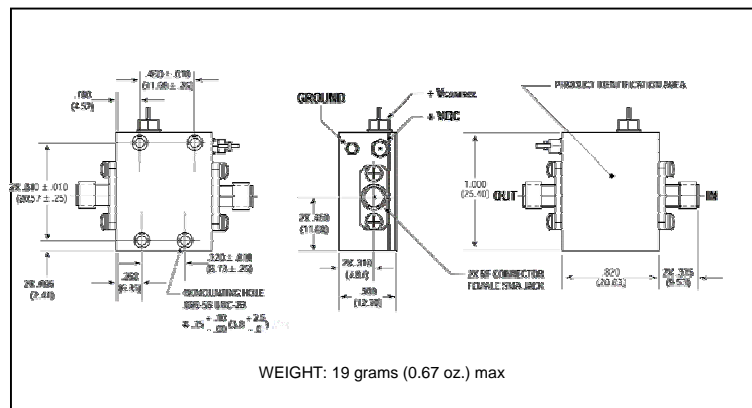
Outline Drawing: TO-8 *



Outline Drawing: Surface Mount *



Outline Drawing: SMA Connectorized *



* Dimensions are inches (millimeters) ± 0.015 (0.38) unless otherwise specified.

ADVANCED: Data Sheets contain information regarding a product M/A-COM Technology Solutions is considering for development. Performance is based on target specifications, simulated results, and/or prototype measurements. Commitment to develop is not guaranteed.
PRELIMINARY: Data Sheets contain information regarding a product M/A-COM Technology Solutions has under development. Performance is based on engineering tests. Specifications are typical. Mechanical outline has been fixed. Engineering samples and/or test data may be available. Commitment to produce in volume is not guaranteed.

• North America Tel: 800.366.2266 • Europe Tel: +353.21.244.6400
 • India Tel: +91.80.4155721 • China Tel: +86.21.2407.1588
 Visit www.macontech.com for additional data sheets and product information.

M/A-COM Technology Solutions Inc. and its affiliates reserve the right to make changes to the product(s) or information contained herein without notice.