

PLEASE CHECK WWW.MOLEX.COM FOR LATEST PART INFORMATION

Part Number: [0351841002](#)
Status: **Active**
Description: 2.50mm (.098") Pitch Wire-to-Wire Plug Housing, Red, 10 Circuits

Documents:

[3D Model](#) [RoHS Certificate of Compliance \(PDF\)](#)
[Drawing \(PDF\)](#)

Agency Certification

CSA LR19980
 UL E29179

General

Product Family Crimp Housings
 Series [35184](#)
 Product Name N/A

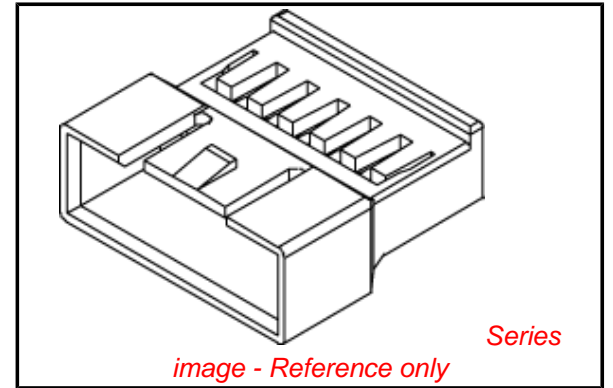
Physical

Breakaway No
 Circuits (maximum) 10
 Color - Resin Natural
 Flammability 94V-0
 Gender Male
 Glow-Wire Compliant No
 Keying to Mating Part None
 Lock to Mating Part Yes
 Material - Resin Nylon
 Number of Rows 1
 Packaging Type Bag
 Panel Mount No
 Pitch - Mating Interface (in) 0.098 In
 Pitch - Mating Interface (mm) 2.50 mm
 Temperature Range - Operating -40°C to +105°C

Material Info

Reference - Drawing Numbers

Sales Drawing SD-35184-**0*



EU RoHS

**ELV and RoHS
 Compliant**
REACH SVHC
 Not Reviewed
**Halogen-Free
 Status**

China RoHS



**Need more information on product
 environmental compliance?**

Email productcompliance@molex.com
 For a multiple part number RoHS Certificate of
 Compliance, [click here](#)

Please visit the [Contact Us](#) section for any
 non-product compliance questions.

Search Parts in this Series

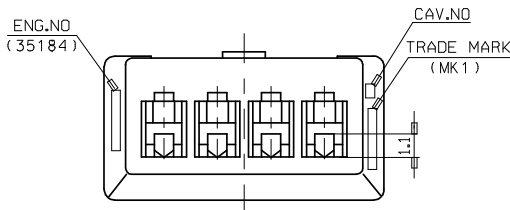
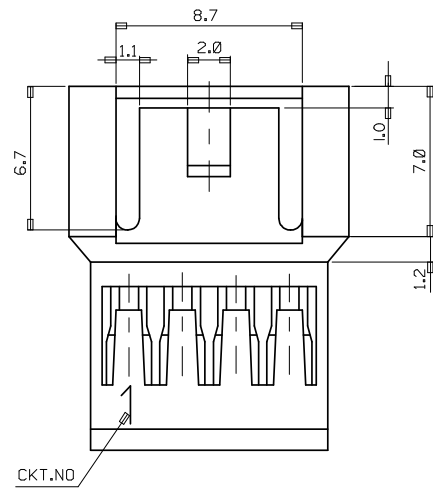
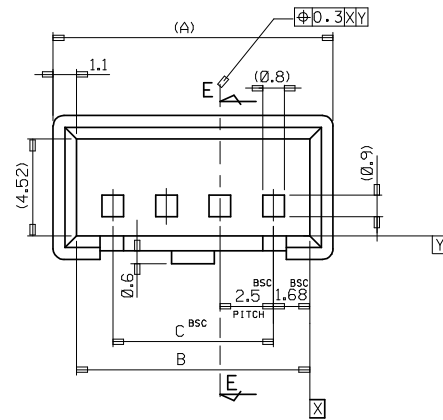
[35184Series](#)

Mates With

[35155](#) Wire-to-Board Housing, [35572](#) Wire-
 to-Wire and Wire-to-Board Housing

Use With

[35053](#) Wire-to-Wire Terminal

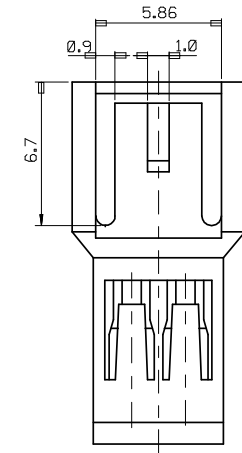


NOTES

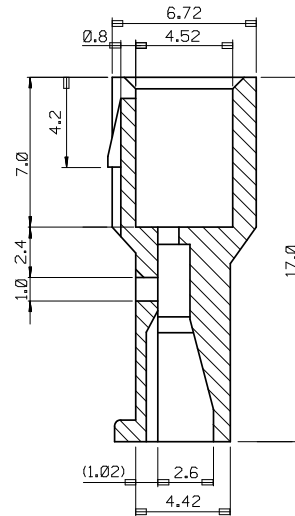
1. MATERIAL : SEE TABLE
2. USED WITH TERMINAL : 35053-9002
3. MATED WITH FEMALE HOUSING : 35155-***0

LEGEND

35184 - ** * *
 COLOR : 0 --- NATURAL
 2 --- RED
 0 : PA66 / 9 : PBT/PC
 CKT NO.



2.3 CKT ONLY



SECTION E-E

| | | | | | |
|------|-------|-------|-------------|------------|-----|
| 35.0 | 38.36 | 40.56 | 3518415** | 35184-15 * | 15 |
| 32.5 | 35.86 | 38.06 | 3518414** | -14** | 14 |
| 30.0 | 33.36 | 35.56 | 3518413** | -13** | 13 |
| 27.5 | 30.86 | 33.06 | 3518412** | -12** | 12 |
| 25.0 | 28.36 | 30.56 | 3518411** | -11** | 11 |
| 22.5 | 25.86 | 28.06 | 3518410** | -10** | 10 |
| 20.0 | 23.36 | 25.56 | 3518409** | -09** | 9 |
| 17.5 | 20.86 | 23.06 | 3518408** | -08** | 8 |
| 15.0 | 18.36 | 20.56 | 3518407** | -07** | 7 |
| 12.5 | 15.86 | 18.06 | 3518406** | -06** | 6 |
| 10.0 | 13.36 | 15.56 | 3518405** | -05** | 5 |
| 7.5 | 10.86 | 13.06 | 3518404** | -04** | 4 |
| 5.0 | 8.36 | 10.56 | 3518403** | -03** | 3 |
| 2.5 | 5.86 | 8.06 | 3518402** | 35184-02** | 2 |
| C | B | (A) | MATERIAL NO | ENG.NO | CKT |

| | | | | | | | | | |
|-------------------------------------------------------------------------------------------------------------------------------|--------------------------------|------------------------------------------------------------|----------------------|----------------------------|---------------------|---------------------|--------------------------------|----------------------------------------------|--|
| REVISED EC NO: KOR2008-0103 DRWN:SKHAN01 2007/12/21 CHKD:WY. YANG 2007/12/21 APPR: YUNS IKK IM 2007/12/21 | QUALITY SYMBOLS ▽=0 ▽C=0 | GENERAL TOLERANCES (UNLESS SPECIFIED) | | DIMENSION STYLE MM ONLY | | SCALE 4:1 | DESIGN UNITS METRIC | THIRD ANGLE PROJECTION | |
| | | 4 PLACES ± --- ± --- | 3 PLACES ± --- ± --- | 2 PLACES ± --- ± --- | 1 PLACE ± 0.3 ± --- | DRAWN BY SK. HAN | DATE 2007/12/13 | TITLE 2.5 PITCH W/W CONN. MALE HOUSING | |
| REV | DESCRIPTION | ANGULAR ± 2 ° | | APPROVED BY EH. JUNG | | DATE 2007/12/13 | MATERIAL NO. SD-35184-***0* | | |
| | | DRAFT WHERE APPLICABLE MUST REMAIN WITHIN DIMENSIONS | | SEE TABLE | | DOCUMENT NO. | SHEET NO. 1 OF 1 | | |
| THIS DRAWING CONTAINS INFORMATION THAT IS PROPRIETARY TO MOLEX INCORPORATED AND SHOULD NOT BE USED WITHOUT WRITTEN PERMISSION | | SIZE A3 | | | | | | | |