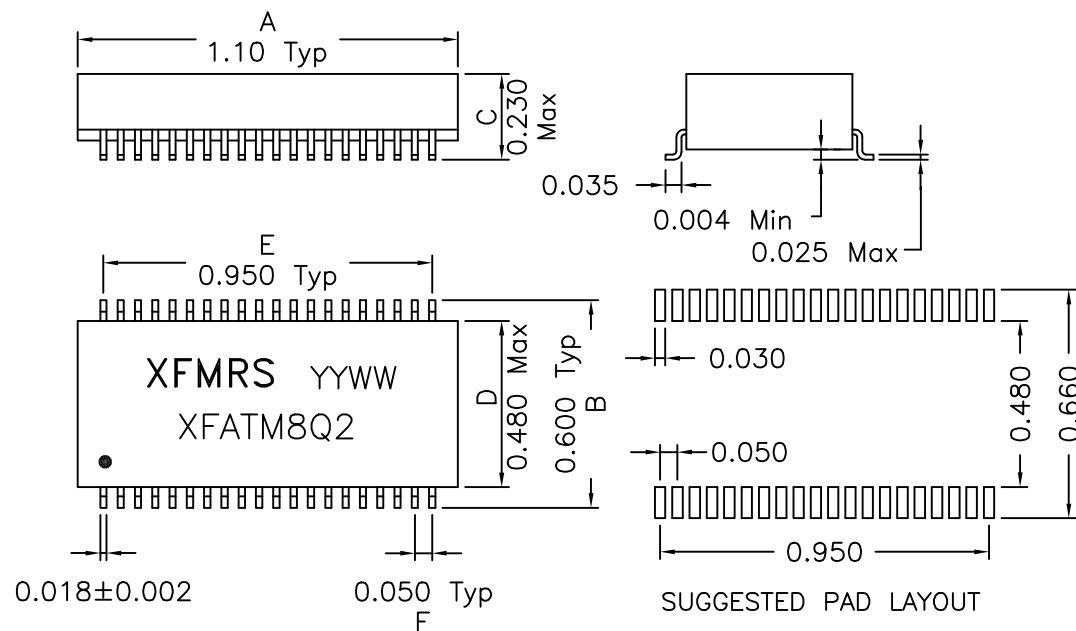
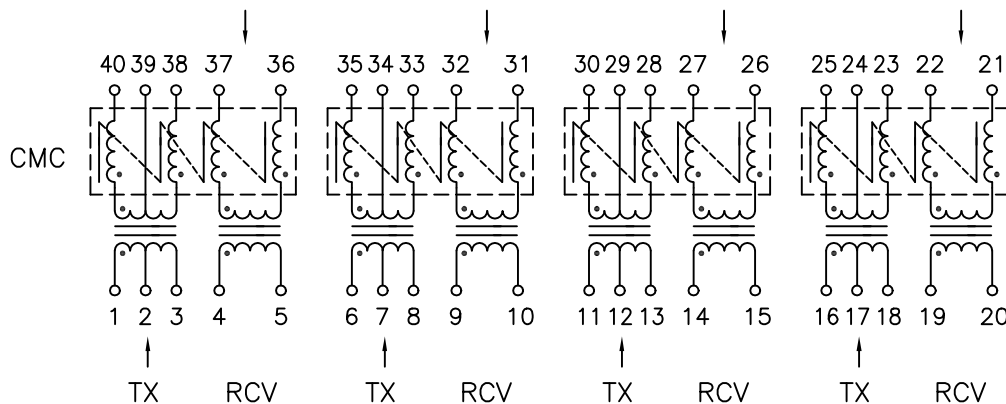


### 1. Dimensions:



### 2. Schematic:



DOC. REV. B/2

### 3. Electrical Specifications: @25°C

- PRI/SEC ISOLATION: 1500 Vrms (Input/Output)
- URNS RATIO: 1CT:1CT (TX)
- URNS RATIO: 1 : 1 (RCV)
- OCL: 350uH Minimum @100KHz 100mV With 8mADC
- INSERTION LOSS: -1.0dB Max (100KHz-60MHz)
- RETURN LOSS: -15dB TYPICAL (100KHz-30MHz)  
-12dB TYPICAL (30MHz-60MHz)
- RISE TIME: 2.5ns Typical
- CMRR: -30dB TYPICAL (100KHz-100MHz)
- CROSSTALK: -35dB TYPICAL (100KHz-100MHz)
- CMR Choke OCL: 30uH Typical @100KHz 50mV

#### Note:

1. Solderability: Leads shall meet MIL-STD-202, Method 208D for solderability.
2. Flammability: UL94V-0,
3. ASTM oxygen index: > 28% ,
4. Operating Temperature Range: -40°C to +85°C

<b>XFMRs Inc</b> UNLESS OTHERWISE SPECIFIED TOLERANCES: .xxx ±0.010 Dimensions in INCH SCALE 2:1 SHT 1 OF 1	Title: Quad Ports 10/100BASE-T Modules		
	P/N: XFATM8Q2		REV. B
	DWN.	廖玉坤	Jul-09-01
	CHK.	李清儿	Jul-09-01
APP.	BW	Jul-09-01	