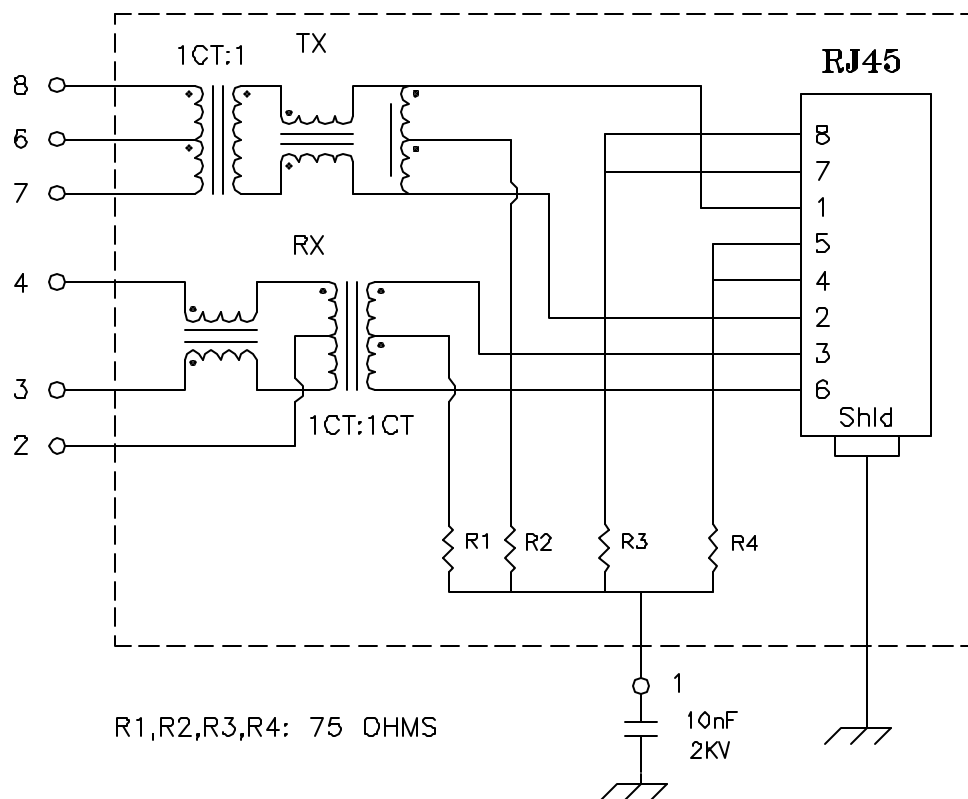


Schematic:



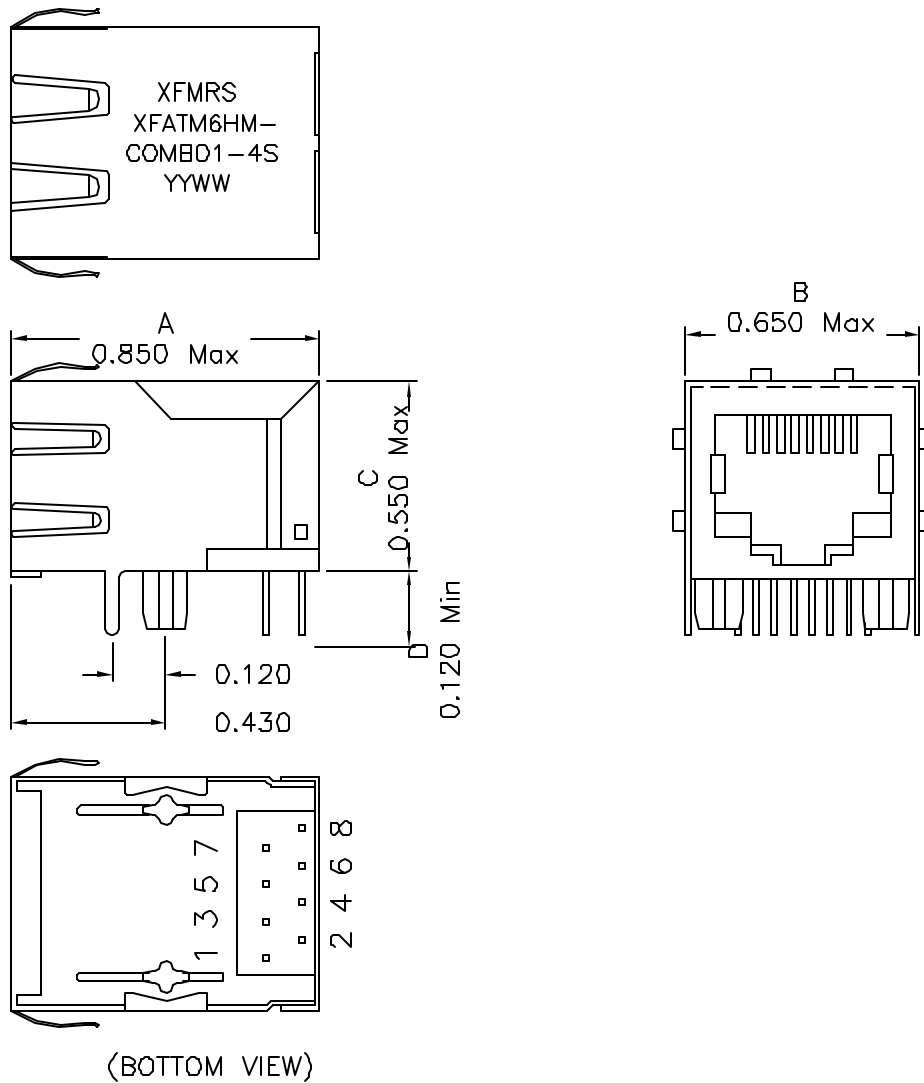
Electrical Specifications: @25°C

Isolation Voltage: 1500 Vrms (INPUT to OUTPUT)
 Isolation Voltage: 500 Vrms (6+7+8-2+3+4)
 TURNS RATIO: TX 1CT:1 ±5% RX 1CT:1CT ±5%
 OCL: 350uH Minimum @100KHz 100mV 8mADC
 Insertion Loss (300KHz-100MHz): -0.5dB Typical
 Return Loss: 30MHz -21dB Typical
 40MHz -17dB Typical
 60MHz -14dB Typical
 80MHz -12dB Typical
 CROSSTALK: 30MHz -55dB Minimum
 60MHz -45dB Minimum
 100MHz -35dB Minimum

DOC. REV: A/1

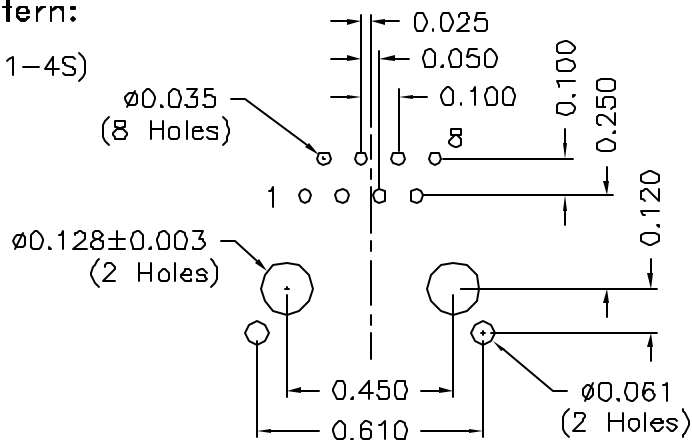
XFMRs Inc.	Title: SINGLE PORT COMBO		
	UNLESS OTHERWISE SPECIFIED	P/N: XFATM6HM-COMBO1-4S	REV. A
	TOLERANCES: .xxx ±0.010	DWN. 李小锋	May-18-01
	Dimensions in Inch	CHK. 廖玉坤	May-18-01
SHEET 1 OF 2	APP. BW	May-18-01	

Mechanical Dimensions:



Mounting Pattern:

(FOR COMBO1-4S)
(COMP SIDE)



XFMR5 Inc.	Title: Mechanical Dimensions For COMBO1-4S Series		
UNLESS OTHERWISE SPECIFIED TOLERANCES: .xxx ±0.010 Dimensions in Inch	P/N: XFATM6HM-COMBO1-4S	REV. A	
	DWN.	李小锋	May-18-07
	CHK.	廖玉坤	May-18-07
SHEET 2 OF 2	APP.	BW	May-18-07