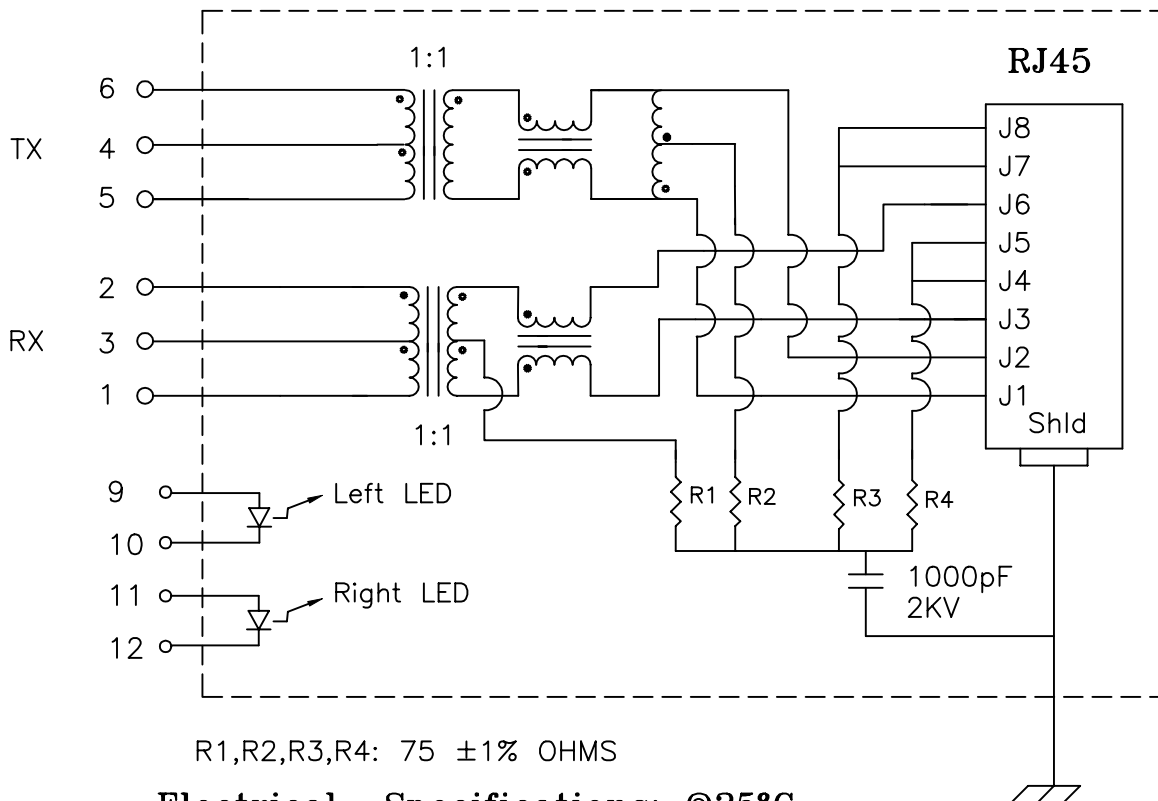


Schematic:



Electrical Specifications: @25°C

Isolation Voltage: 1500 Vac

Isolation Voltage: 500 Vac (1+2+3+5+6+7)

UTP SIDE OCL: 350uH Min @100KHz 100mV 8mADC

Rise Time (10–90%): 2.5ns Typical

Insertion Loss (300KHz–100MHz): –1.1dB Maximum

Insertion Loss (100MHz–125MHz): –1.5dB Maximum

Return Loss: –12dB Typical @300KHz – 100MHz

Crosstalk:

100KHz–60MHz –40dB Typical

60MHz–100MHz –38dB Typical

Common Mode to Differential Mode Rejection:

1MHz–100MHz –30dB Typ (Tx) / –30dB Typ (Rx)

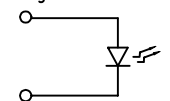
200MHz –20dB Typ (Tx) / –20dB Typ (Rx)

Complete the Combo P/N as follows:

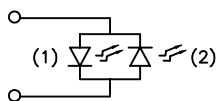
Replace 'x' & 'u' in the part number with one of the LED color letters:

Y=Yellow 'x' = Left LED Color
 G=Green 'u' = Right LED Color
 A=Amber
 R=Red
 N=Yellow(1)/Green(2) Bicolor
 M=Green(1)/Yellow(2) Bicolor

Single Color LED:



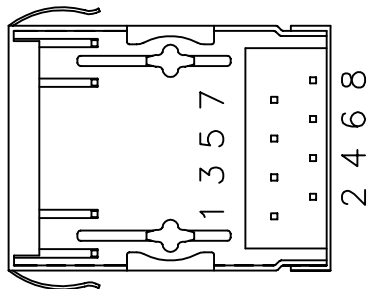
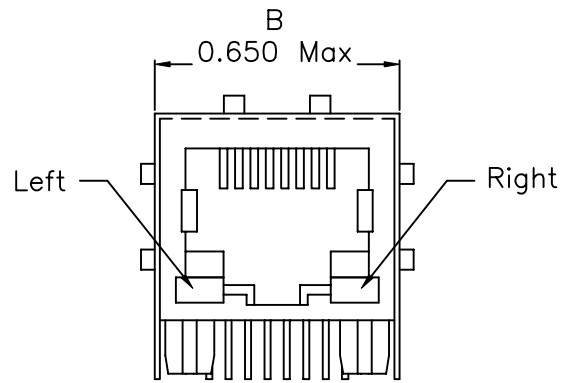
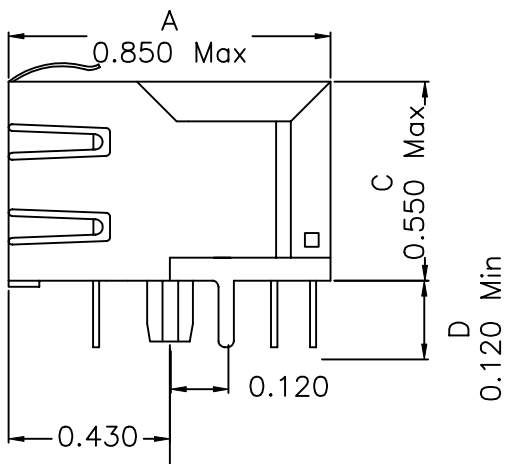
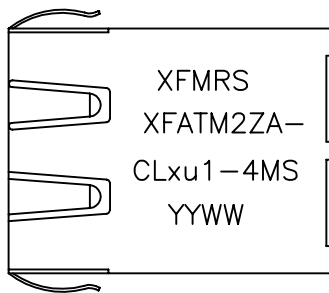
Bi-Color LED:



DOC. REV: A/2

XFMRS Inc. UNLESS OTHERWISE SPECIFIED TOLERANCES: .xxx ±0.010 Dimensions in Inch SHEET 1 OF 2	Title: SINGLE PORT COMBO	
	P/N: XFATM2ZA-CLxu1-4MS	REV. A
	DWN.	BW
	CHK.	Joe Huff
APP.	MS	Apr-30-03

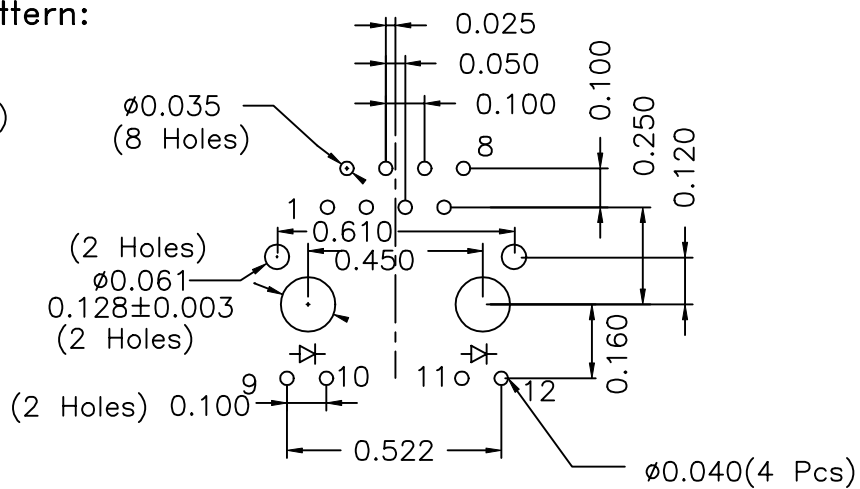
Mechanical Dimensions:



(BOTTOM VIEW)

Mounting Pattern:

(COMP SIDE)



XFMRS Inc.	Title: Mechanical Dimensions For CLxu1-4MS Series		
	UNLESS OTHERWISE SPECIFIED TOLERANCES: .xxx ±0.010 Dimensions in Inch	P/N: XFATM2ZA-CLxu1-4MS	REV. A
DOC. REV: A/2	SHEET 2 OF 2	DWN. 李小锋	Apr-30-03
		CHK. 廖玉坤	Apr-30-03
		APP. MS	Apr-30-03