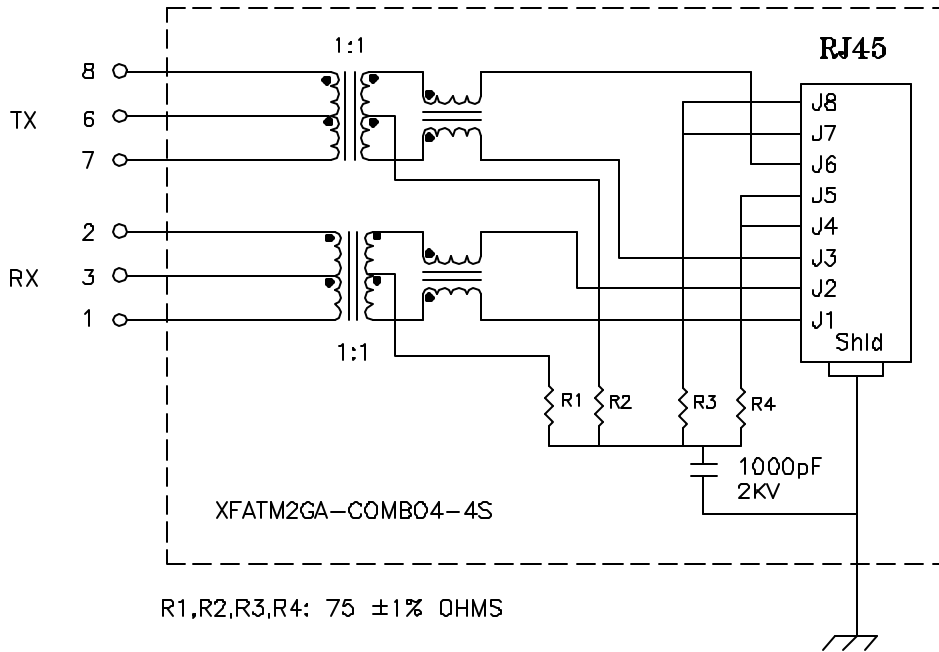


Schematic: (One of Four)



Electrical Specifications: @25°C

- Isolation Voltage: 1500 Vac
- Isolation Voltage: 500 Vac (1+2+4-3+7+6)
- UTP SIDE OCL: 350uH Min @100KHz 100mV 8mADC
- Rise Time (10-90%): 2.5ns Typical
- Insertion Loss (300KHz-100MHz): -1.1dB Maximum
- Insertion Loss (100MHz-125MHz): -1.5dB Maximum
- Return Loss: -12dB Typical @300KHz - 100MHz
- Crosstalk:
 - 100KHz-60MHz -40dB Typical
 - 60MHz-100MHz -38dB Typical
- Common Mode to Differential Mode Rejection:
 - 1MHz-100MHz -30dB Typ (Tx) / -30dB Typ (Rx)
 - 200MHz -20dB Typ (Tx) / -20dB Typ (Rx)

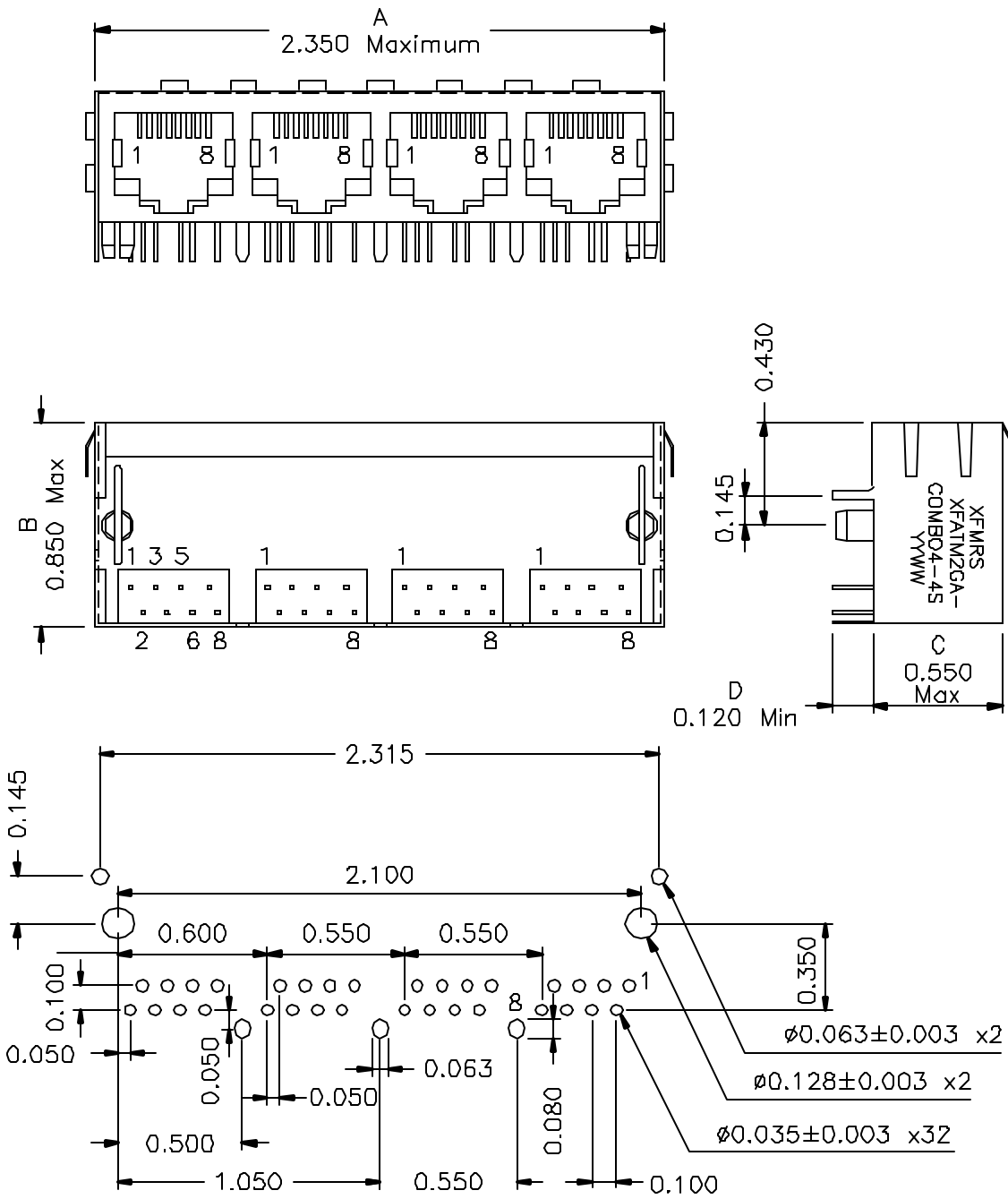
Note:

1. Solderability: Leads shall meet MIL-STD-202, Method 208D for solderability.
2. Flammability: UL94V-0,
3. ASTM oxygen index: > 28% ,
4. Operating Temperature Range: 0°C to +70°C

XFMRs Inc. UNLESS OTHERWISE SPECIFIED TOLERANCES: .xxx ±0.010 Dimensions in Inch SHEET 1 OF 2	Title: QUAD PORT COMBO	
	P/N: XFATM2GA-COMBO4-4S	REV. A
	DWN. 李小锋	Jan-22-02
	CHK. 廖玉坤	Jan-22-02
	APP. BW	Jan-22-02

DOC. REV: A/2

Mechanical Dimensions: (FOR COMB04-4S)



SUGGESTED MOUNTING PATTERN

DOC. REV: A/2

XFMRs Inc. UNLESS OTHERWISE SPECIFIED TOLERANCES: .xxx ±0.010 Dimensions in Inch SHEET 2 OF 2	Title: Mechanical Dimensions For COMB04-4S Series		
	P/N: XFATM2GA-COMB04-4S		REV. A
	DWN.	李小锋	Jan-22-02
	CHK.	廖玉坤	Jan-22-02
	APP.	BW	Jan-22-02