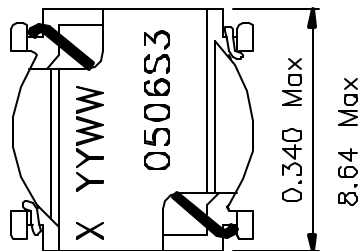
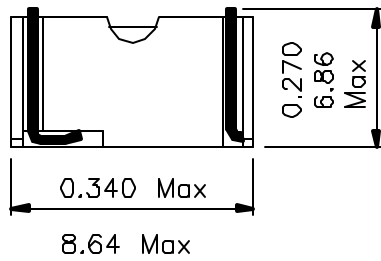
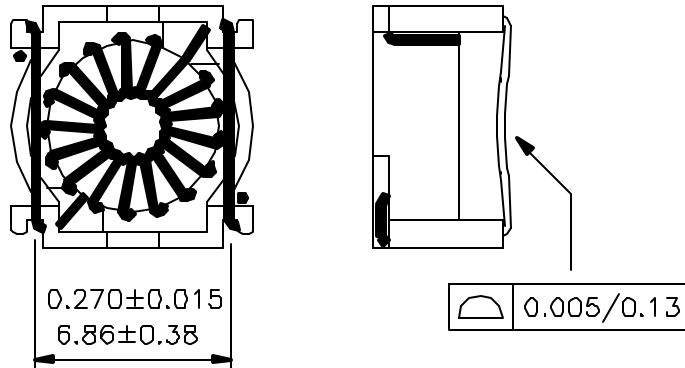


1. Mechanical:



2. Schematic:



3. Electrical Specifications:

DC Resistance: 0.205 Ohms Maximum
 OCL: 50uH $\pm 20\%$ @1KHz 1V
 Rated Current: 1.12Adc
 SRF: 10.0MHz Minimum

DOC. REV A/1

XFMRS Inc		Title: Surface Mount Inductor	
UNLESS OTHERWISE SPECIFIED TOLERANCES: .xxx \pm .010 Inch Dimensions in Inch/mm		P/N: XF0506S3	REV. A
		DWN. 廖玉坤	Apr-28-00
SHEET 1 OF 1		CHK. 李清IL	Apr-28-00
		APP. Joe Huff	Apr-28-00