

Silicon NPN Power Transistors

2SD325

DESCRIPTION

- With TO-220C package
- Complement to type 2SB511
- Low collector saturation voltage

APPLICATIONS

- Designed for use in low frequency power amplifier applications

PINNING

PIN	DESCRIPTION
1	Base
2	Collector;connected to mounting base
3	Emitter

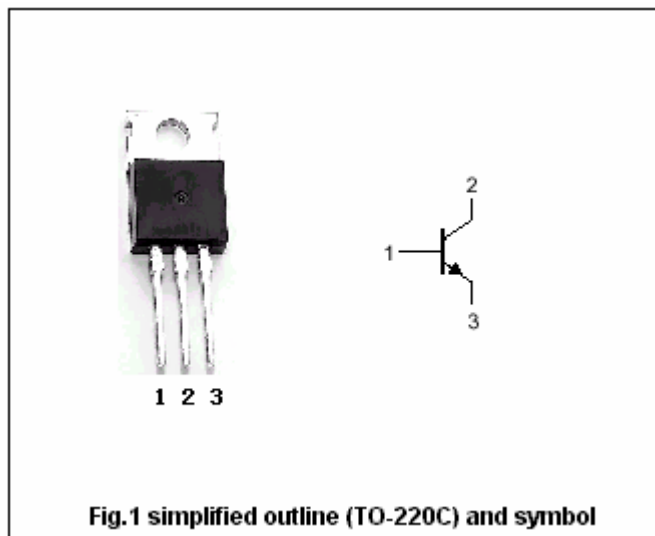


Fig.1 simplified outline (TO-220C) and symbol

Absolute maximum ratings(Ta=25°C)

SYMBOL	PARAMETER	CONDITIONS	VALUE	UNIT
V _{CBO}	Collector-base voltage	Open emitter	35	V
V _{CEO}	Collector-emitter voltage	Open base	35	V
V _{EBO}	Emitter-base voltage	Open collector	5	V
I _C	Collector current		1.5	A
I _{CM}	Collector current -peak		3.0	A
P _C	Collector dissipation	T _a =25°C	1.75	W
		T _C =25°C	10	
T _j	Junction temperature		150	°C
T _{stg}	Storage temperature		-50~150	°C

Silicon NPN Power Transistors

2SD325

CHARACTERISTICS

T_j=25°C unless otherwise specified

SYMBOL	PARAMETER	CONDITIONS	MIN	TYP.	MAX	UNIT
V _{(BR)CEO}	Collector-emitter breakdown voltage	I _C =10mA; I _B =0	35			V
V _{CEsat}	Collector-emitter saturation voltage	I _C =1.5A; I _B =0.15A			1.0	V
V _{BE}	Base-emitter on voltage	I _C =1A; V _{CE} =5V			1.5	V
I _{CBO}	Collector cut-off current	V _{CB} =20V; I _E =0			0.1	mA
I _{EBO}	Emitter cut-off current	V _{EB} =4V; I _C =0			1.0	mA
h _{FE-1}	DC current gain	I _C =1A; V _{CE} =2V	40		320	
h _{FE-2}	DC current gain	I _C =0.1A; V _{CE} =2V	35			
f _T	Transition frequency	I _C =0.5A; V _{CE} =5V		8		MHz

◆ h_{FE-1} Classifications

C	D	E	F
40-80	60-120	100-200	160-320

Silicon NPN Power Transistors

2SD325

PACKAGE OUTLINE

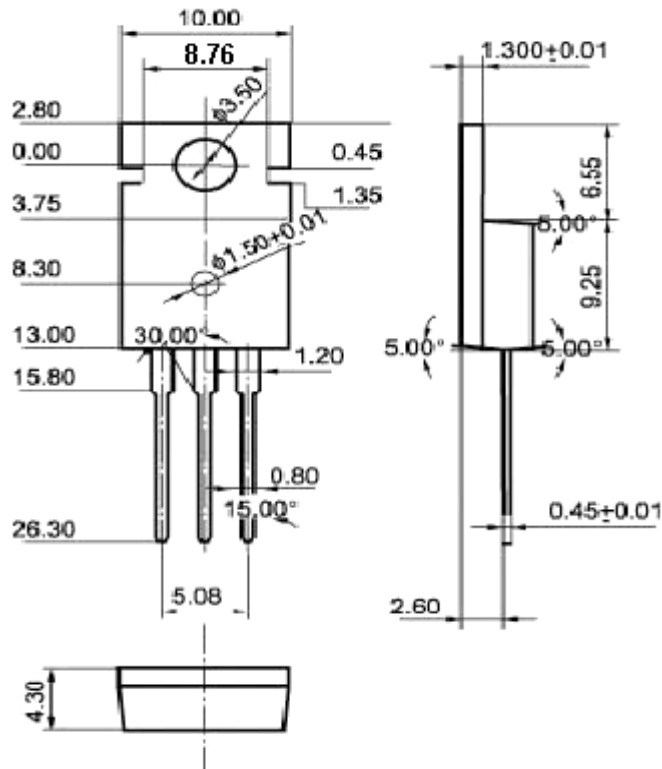


Fig.2 Outline dimensions (unindicated tolerance:±0.10mm)