

PLEASE CHECK WWW.MOLEX.COM FOR LATEST PART INFORMATION

Part Number: [0900591020](#)
Status: **Active**
Overview: [cgrid_ii|cgrid_sl_products](#)
Description: 2.54mm (.100") Pitch C-Grid® Micro Shunt, Low Profile, Black Housing

Documents:

[Drawing \(PDF\)](#) [RoHS Certificate of Compliance \(PDF\)](#)

General

Product Family	Accessories
Series	90059
Component Type	Shunt
Overview	cgrid_ii cgrid_sl_products
Product Name	C-Grid®, C-Grid III™, SL™

Physical

Circuits (Loaded)	2
Circuits (maximum)	2
Color - Resin	Black
Gender	Female
Lock to Mating Part	None
Material - Metal	Phosphor Bronze
Material - Plating Mating	Gold
Material - Plating Termination	Nickel
Material - Resin	Polyester
Number of Rows	1
Packaging Type	Bag
Plating min: Mating (µin)	4
Plating min: Mating (µm)	0.1
Plating min: Termination (µin)	40
Plating min: Termination (µm)	1
Polarized to Mating Part	Yes
Temperature Range - Operating	-65°C to +120°C
Termination Interface: Style	Surface Mount

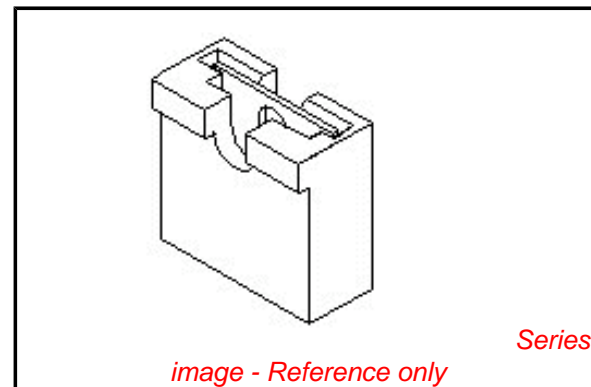
Electrical

Current - Maximum per Contact	3A
-------------------------------	----

Material Info

Reference - Drawing Numbers

Sales Drawing	SDA-90059
---------------	-----------



EU RoHS

**ELV and RoHS
Compliant**
**REACH SVHC
Contains SVHC: No**
**Halogen-Free
Status
Not Reviewed**

China RoHS



**Need more information on product
environmental compliance?**

Email productcompliance@molex.com
 For a multiple part number RoHS Certificate of
 Compliance, [click here](#)

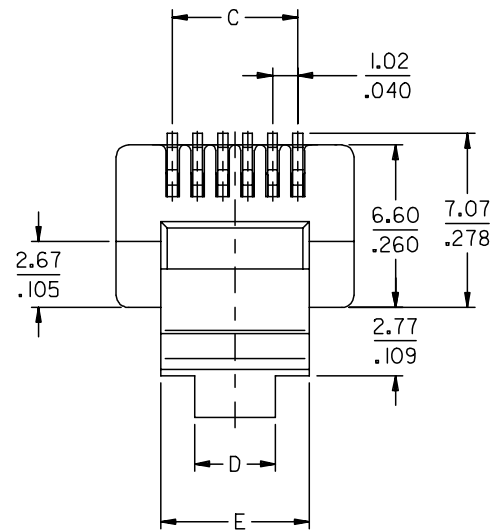
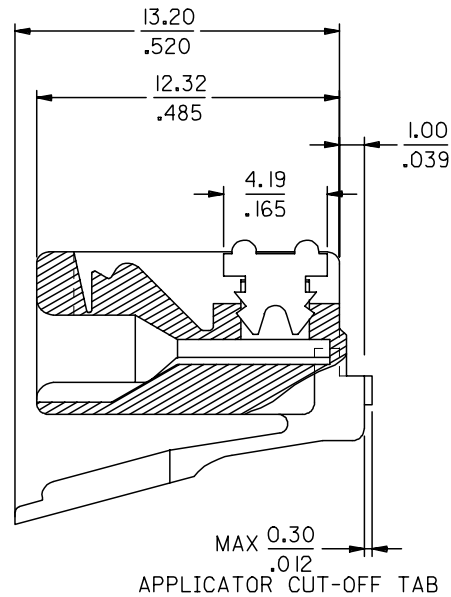
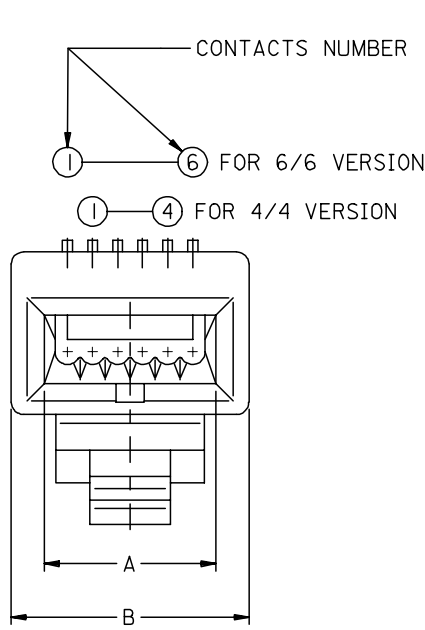
Please visit the [Contact Us](#) section for any
 non-product compliance questions.

Search Parts in this Series

[90059Series](#)

Use With

(0.64)/.025 square and round pins



NOTES:

- 1- MATERIAL:
 HOUSING: POLYCARBONATE CLEAR
 TERMINAL: 0.38/.015 THICK PHOSPHOR BRONZE
 PLATING: SEE PLATINGS CHART
- 2- PRODUCT INTENDED TO TERMINATE FLAT OVAL CABLE CONFORMING TO REA BULLETIN 345-80-PE 75 HAVING 0.94/.037 Ø MAXI OVER CONDUCTORS INSULATION
- 3- PRODUCT SPECIFICATION: PS-90075
- 4- APPLICATION SPECIFICATION: AS-90075

CKTS	NUMBER OF LOADED CONTACTS	PLATING	LOOSE PIECE		DIMENSIONS				
			PART NUMBER	TOOLED	A	B	C	D	E
4	4				5.21 .205	7.62 .300	3.05 .120	2.54 .100	4.95 .195
		2	90075-0027	YES					
6	4				6.99 .275	9.65 .380	5.08 .200	3.25 .128	6.05 .238
		2	90075-0035	YES					
	6								
		2	90075-0031	YES					

PLATINGS	
②	0.00127/.000050 MIN GOLD IN CONTACT AREA 0.00127/.000050 MIN PURE TIN IN PIERCE AREA BOTH OVER 0.00127/.000050 MIN NICKEL.

REMOVED PART #s	DESCRIPTION
EC NO: E2007-0321	
DRWN:DBYRNES	2006/10/23
CHKD:	2006/10/23
APPR:EDMAHONY	2006/10/24

QUALITY SYMBOLS	DESCRIPTION
▽=0	
▽C=0	

GENERAL TOLERANCES (UNLESS SPECIFIED)	DIMENSION STYLE
	MM/IN
4 PLACES ± --- ± ---	DRAWN BY DATE
3 PLACES ± --- ± ---	CHECKED BY DATE
2 PLACES ± --- ± ---	APPROVED BY DATE
1 PLACE ± --- ± ---	JB
ANGULAR ± 2 °	MATERIAL NO.
DRAFT WHERE APPLICABLE MUST REMAIN WITHIN DIMENSIONS	SEE CHART

SCALE	DESIGN UNITS	THIRD ANGLE PROJECTION
5:1	METRIC	
TITLE	W.E. TYPE MODULAR PLUG 4/4 6/4 AND 6/6 FOR OVAL FLAT CABLE	
MOLEX INCORPORATED		
DOCUMENT NO.	SHEET NO.	
SDA-90075	2 OF 2	

THIS DRAWING CONTAINS INFORMATION THAT IS PROPRIETARY TO MOLEX INCORPORATED AND SHOULD NOT BE USED WITHOUT WRITTEN PERMISSION		
---	--	--