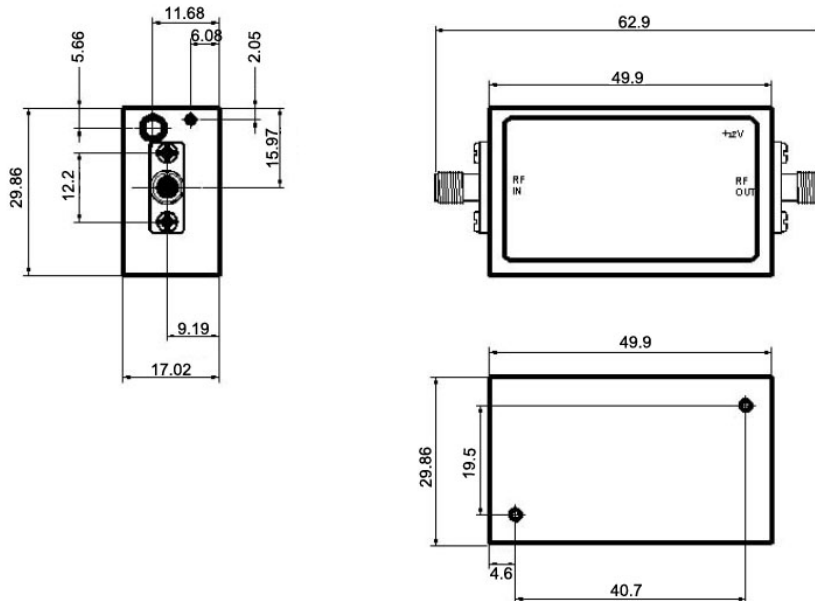


## Low Noise Amplifier

P/N: LA1018N4020-T

Frequency Range(GHz)	1~18
Gain(dB)	35 min; 45 max
Noise Figure(dB)	5.5 max
Pout @ 1dB(dBm)	20 min
Flatness(dB)	±2.5 max
IP3(dBm)	28 Typ.
VSWR	2.2:1 max
Power Supply(V/mA)	+12 / 500 Typ.
Input Connector	SMA-Female
Output Connector	SMA-Female
Operating Temperature(°C)	-55 ~ +85
Storage Temperature(°C)	-60 ~ +90
Net Weight(Kg)	0.065 Around

### Outline Drawing (Size: mm)



For current data sheets, please contact: [sales@aacix.com](mailto:sales@aacix.com)