

0.50mm

(0.02") PITCH CONNECTOR



05002HR-NNM

Material

| I/NO | DESCRIPTION | MATERIAL |
|------|-------------|----------------------------|
| 1 | HOUSING | PA46, UL94V-0 |
| 2 | ACTUATOR | PPS, UL94V-0 |
| 3 | TERMINAL | Phosphor Bronze, Au-plated |
| 4 | HOOK | Phosphor Bronze, Au-plated |

**FPC/FFC
Connectors**

Housing

Emboss
Type

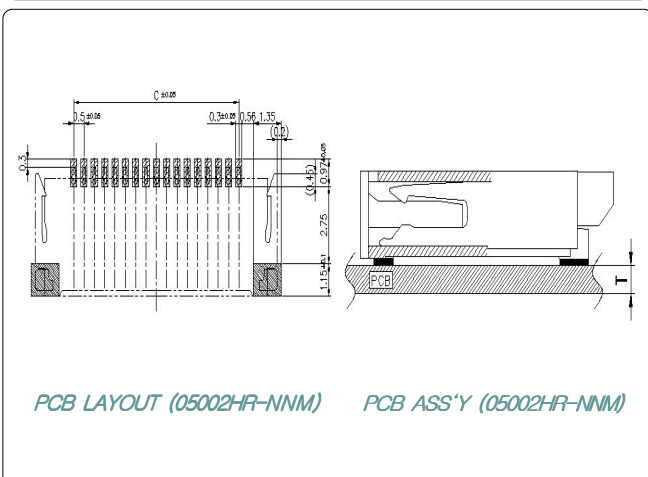
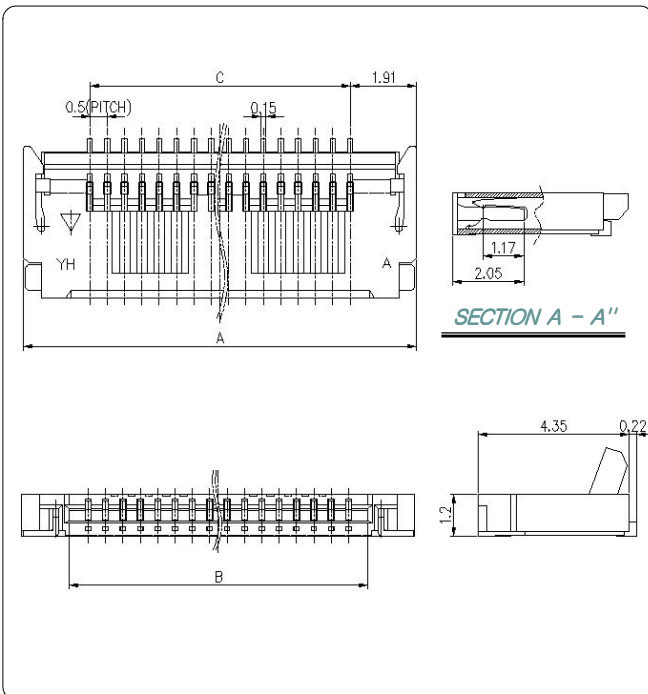
SMT
Type

ZIF
Type

Dual
Contact

Available Pin

| PARTS NO. | A | B | C |
|-------------|-------|------|------|
| 05002HR-40M | 23.32 | 20.5 | 19.5 |
| 05002HR-45M | 25.82 | 23.0 | 22.0 |
| 05002HR-50M | 28.32 | 25.5 | 24.5 |



Specification

| ITEM | SPEC |
|------------------------|-------------|
| Voltage Rating | AC/DC 50V |
| Current Rating | AC/DC 0.4A |
| Operating Temperature | -25℃~+85℃ |
| Contact Resistance | 30mΩ MAX |
| Withstanding Voltage | AC150V/1min |
| Insulation Resistance | 100MΩ MIN |
| Applicable Wire | - |
| Applicable P.C.B | 0.8 ~ 1.6mm |
| Applicable FPC/FFC | 0.30±0.02mm |
| Solder Height | 0.15mm |
| Crimp Tensile Strength | - |
| UL FILE NO | - |