



TAI-SAW TECHNOLOGY CO., LTD.

No. 3, Industrial 2nd Rd., Ping-Chen Industrial District,
Taoyuan, 324, Taiwan, R.O.C.

TEL: 886-3-4690038 FAX: 886-3-4697532

E-mail: tstsales@mail.taisaw.com Web: www.taisaw.com

Approval Sheet For Product Specification

Issued Date:

Product Name: SAW IF Filter 525MHz

TST Parts No.: TB0651A

Customer Parts No.: _____

Company: _____
Division: _____
Approved by : _____
Date: _____

Checked by: _____ Kazuma Lee 

Approval by: _____ Francis Chen 

Date: _____ 2008/12/08



TAI-SAW TECHNOLOGY CO., LTD.

No.3, Industrial 2nd Rd., Ping-Chen Industrial District, Taoyuan, Taiwan, R.O.C.

TEL: 886-3-4690038 FAX: 886-3-4697532

E-mail: tstsales3@mail.taisaw.com Web: www.taisaw.com

SAW Filter 525MHz 54 MHz BW (SMD 5×5 mm)

MODEL NO.: TB0651A

REV. NO.1

A. MAXIMUM RATING:

- 1.Storage Temperature: -40°C to 85°C
- 2.Operating Temperature: -20°C to 70°C
3. Input Power Level : 10 dBm

RoHS Compliant
Lead free
Lead-free soldering

B. Characteristics :

Item	Unit	Min.	Type.	Max.
Center frequency, Fc	MHz	-	525	-
Insertion Loss 498 to 552 MHz	dB	-	15.4	16.5
Passband Variation 498 to 552 MHz	MHz	-	1.5	3
Relative Attenuation at 454MHz	dB	20	42	-
Relative Attenuation at 558MHz	dB	-	34	-
Temp Coefficient	ppm/K	-	-76	-

C. Frequency Characteristics:

Wideband Response:(span 300MHz)

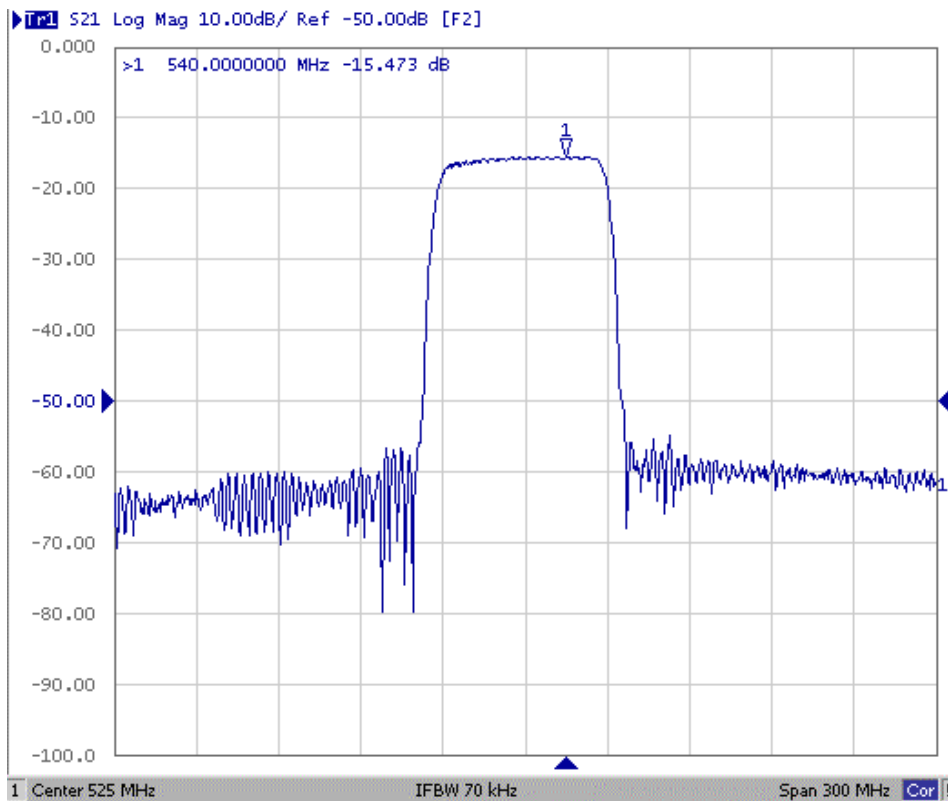


Fig1. Horizontal: 30MHz/Div Vertical: 10dB/Div

Passband Response:(span 100MHz)

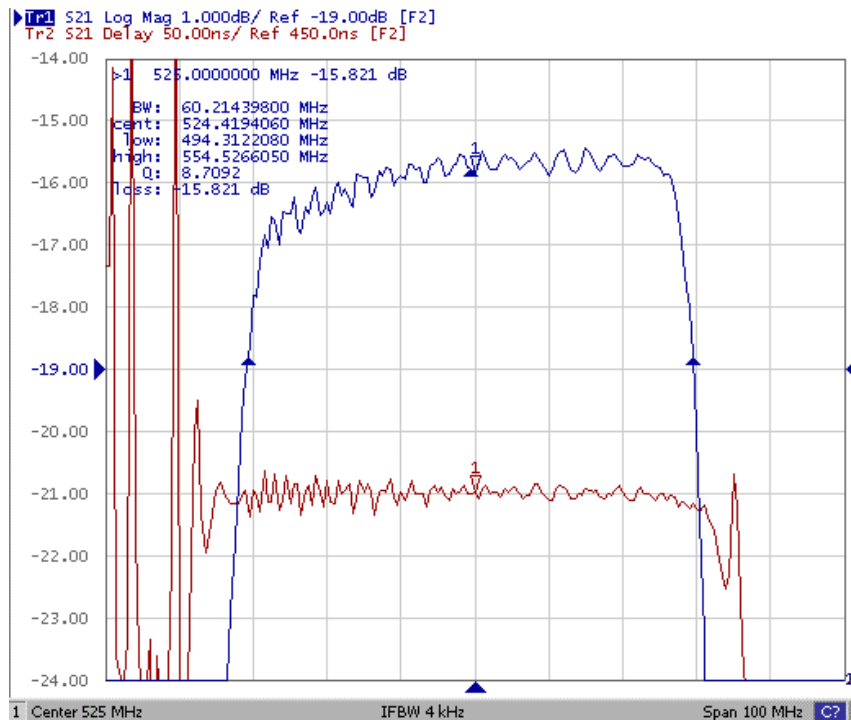
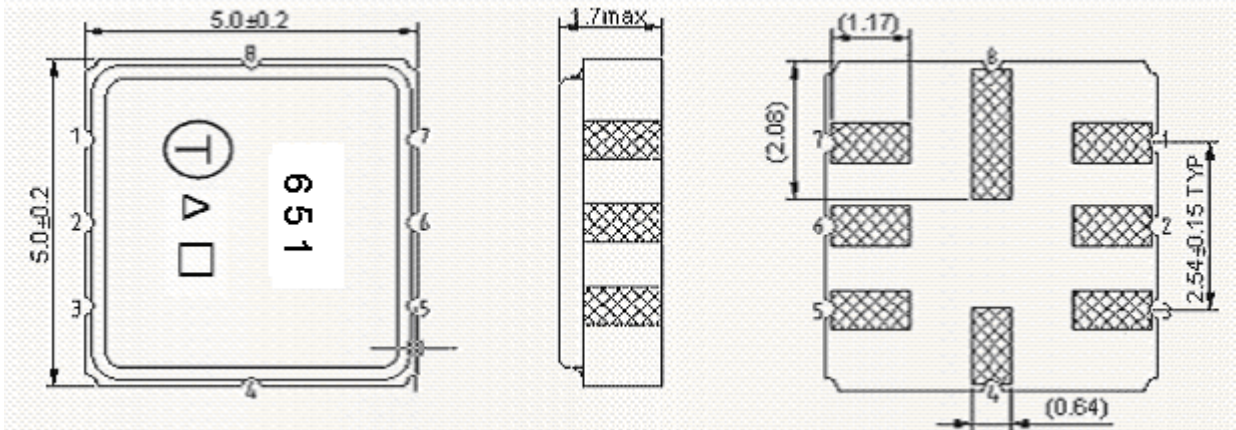


Fig2. Horizontal: 10MHz/Div Vertical 1: 1dB/Div
Vertical 2: 50nS/Div

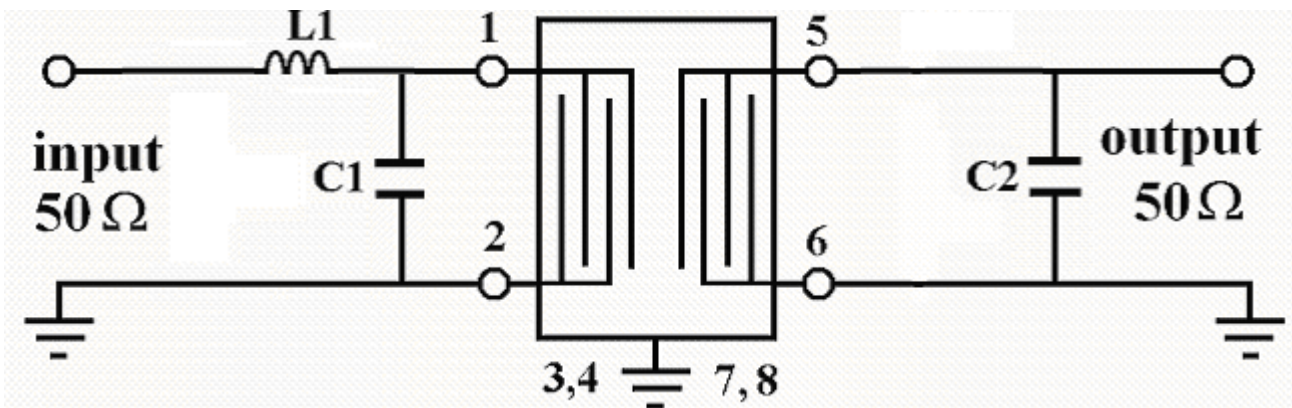
D. Outline Drawing:



- #1 –Input
- #2 –Input ground
- #5 – Output
- #6 – Output ground
- #3,4,7,8 – Ground
- : Week Code (Follow the table from planner each year)
- Unit : mm
- △ : Product / Year Code

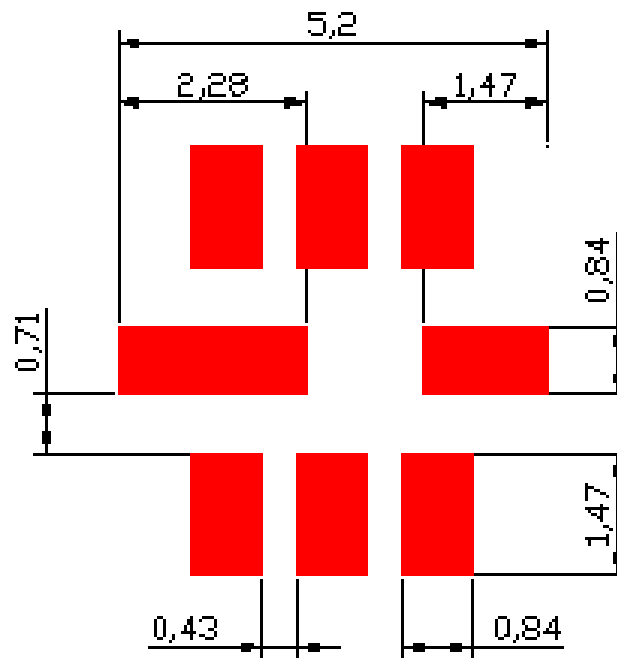
Year	2005 2009	2006 2010	2007 2011	2008 2012
Product Code	B	b	<u>B</u>	<u>b</u>

E. Matching Circuit: 50 Ohm single ended Input - 50 Ohm single ended Output



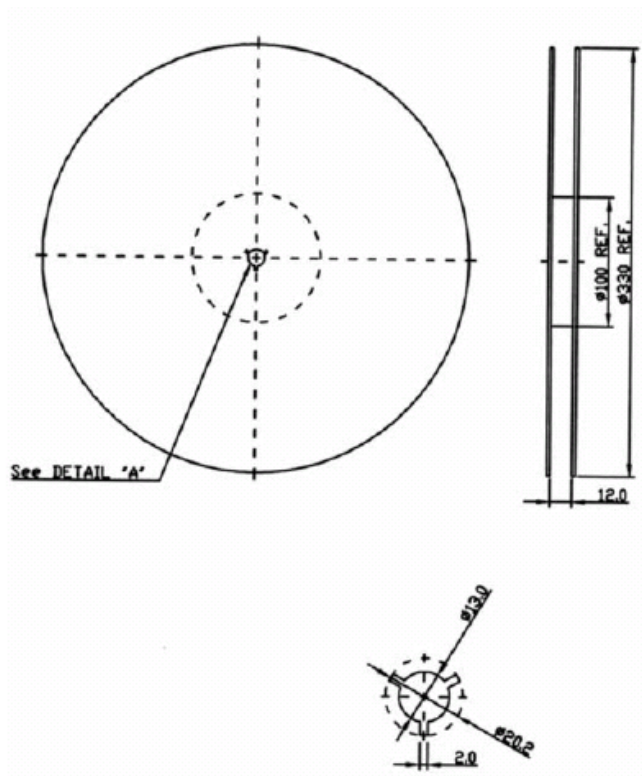
$L1=8.2\text{nH}; C1=2\text{pF}; C2=3\text{pF}$

F. PCB Footprint:

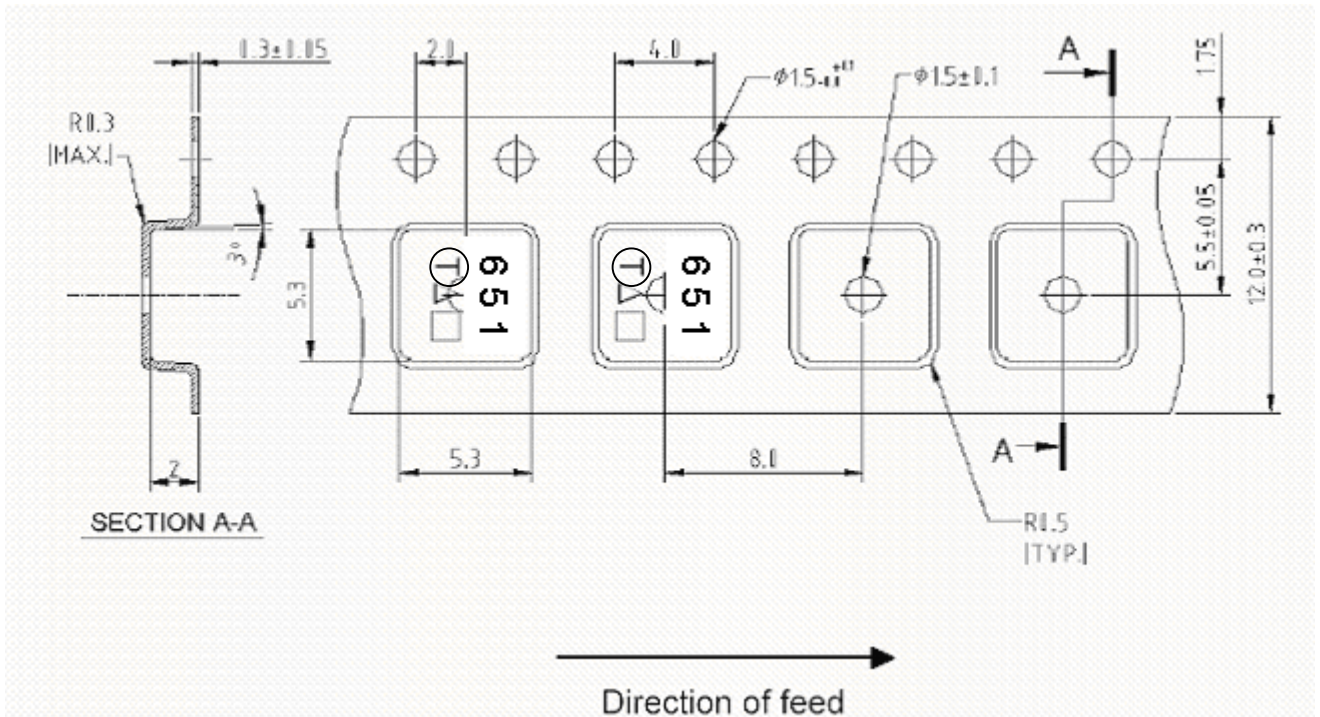


G. PACKING:

1. REEL DIMENSION:



2. TAPE DIMENSION:



H. RECOMMENDED REFLOW PROFILE_:

