



DESCRIPTION

PT2367 is an audio power amplifier IC utilizing advanced CMOS technology. It can deliver 1W power output under 5V supply voltage. The power consumption is very low in stand-by mode. Built-in over-temperature protection, package size is not occupies PCB space. It is suitable for small or portable products.

FEATURES

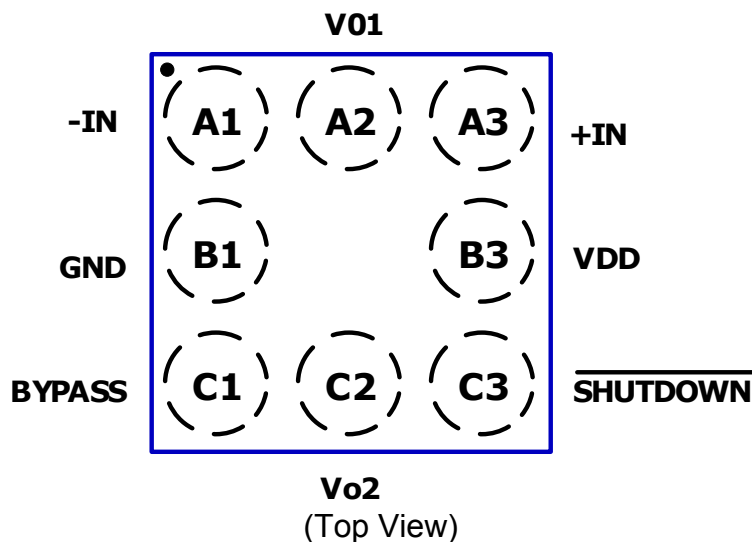
- CMOS technology
- Output power 1W (8Ω)
- Low harmonics distortion
- Built-in pop and click noise suppress
- Shutdown function, turn on can into save mode ($I_{cc} < 0.1\mu A$)
- Built-in over-temperature protection

APPLICATIONS

- DSC, PDA
- LCD TV or Monitor
- Electronics handy dictionary and translator
- Multimedia speaker
- Other A/V applications



PIN CONFIGURATION

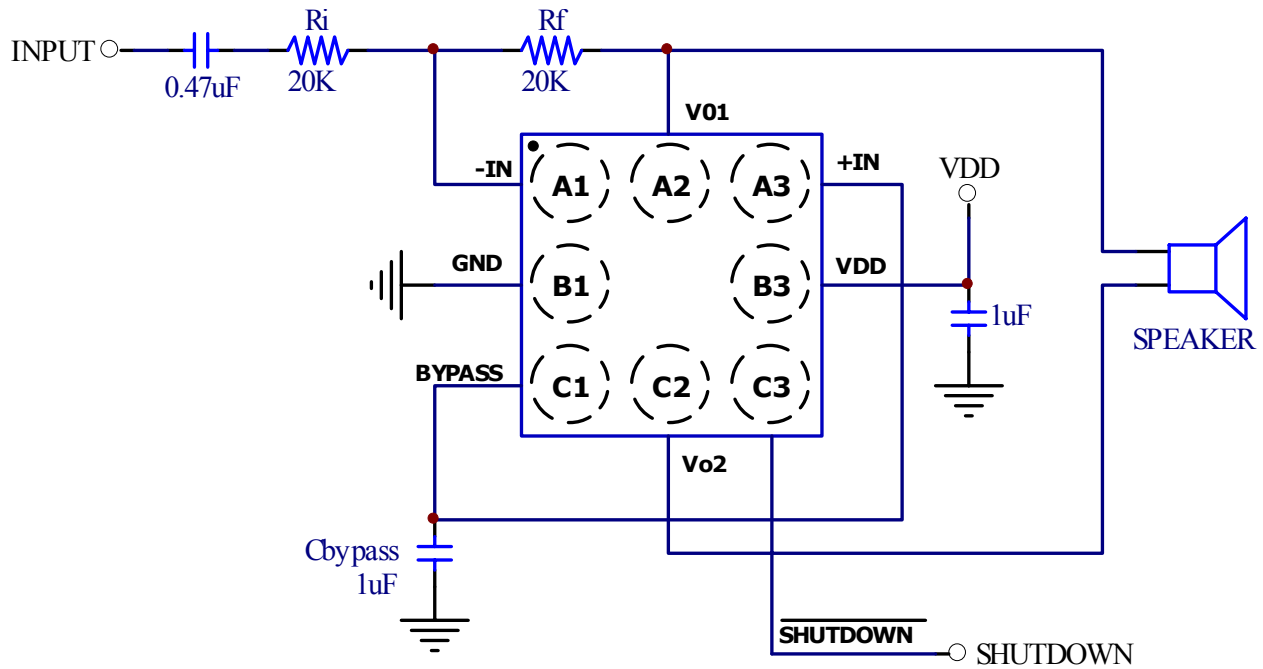


PIN DESCRIPTION

Pin Name	I/O	Description	Pin No.
/SHUTDOWN	I	Shutdown pin. Entire IC into the shutdown mode when this pin connected to the GND.	C3
BYPASS	I	Internal bias reference bypassing	C1
+IN	I	Channel input (+)	A3
-IN	I	Channel input (-)	A1
Vo1	O	Channel output (-)	A2
VDD	-	Supply voltage	B3
GND	-	Ground	B1
Vo2	O	Channel output (-)	C2



APPLICATION CIRCUIT





ORDER INFORMATION

Valid Part Number	Package Type	Top Code
PT2367(L)	8 pins, WCSP	2367

Notes:

1. (L), (C) or (S) = Lead Free
2. The Lead Free mark is put in front of the date code.